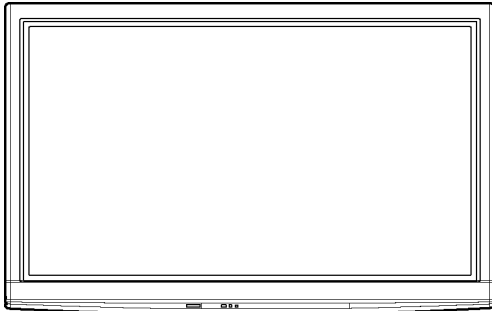


# Service Manual

54 inch Class 1080p Plasma HDTV

Model No. **TC-P54G10**


GPF12DU Chassis



## **WARNING**

This service information is designed for experienced repair technicians only and is not designed for use by the general public. It does not contain warnings or cautions to advise non-technical individuals of potential dangers in attempting to service a product. Products powered by electricity should be serviced or repaired only by experienced professional technicians. Any attempt to service or repair the product or products dealt with in this service information by anyone else could result in serious injury or death.

## **IMPORTANT SAFETY NOTICE**

There are special components used in this equipment which are important for safety. These parts are marked by  in the Schematic Diagrams, Circuit Board Diagrams, Exploded Views and Replacement Parts List. It is essential that these critical parts should be replaced with manufacturer's specified parts to prevent shock, fire or other hazards. Do not modify the original design without permission of manufacturer.

# TABLE OF CONTENTS

	PAGE		PAGE
<b>1 Safety Precautions</b> .....	<b>3</b>	10.4. Wiring (3) .....	39
1.1. General Guidelines .....	3	10.5. Wiring (4) .....	40
<b>2 Warning</b> .....	<b>4</b>	10.6. Wiring (5) .....	41
2.1. Prevention of Electrostatic Discharge (ESD) to Electrostatically Sensitive (ES) Devices .....	4	<b>11 Schematic Diagram</b> .....	<b>43</b>
2.2. About lead free solder (PbF) .....	5	11.1. Schematic Diagram Note .....	43
<b>3 Service Navigation</b> .....	<b>6</b>	11.2. P(P-1)-Board (1/2) Schematic Diagram .....	44
3.1. Service Hint .....	6	11.3. P(P-1)-Board (2/2) Schematic Diagram .....	45
3.2. Applicable signals .....	7	11.4. P(P-2)-Board Schematic Diagram .....	46
<b>4 Specifications</b> .....	<b>8</b>	11.5. GK, K and S-Board Schematic Diagram .....	47
<b>5 Service Mode</b> .....	<b>9</b>	11.6. A-Board (1/22) Schematic Diagram .....	48
5.1. How to enter into Service Mode .....	9	11.7. A-Board (2/22) Schematic Diagram .....	49
5.2. Service tool mode .....	11	11.8. A-Board (3/22) Schematic Diagram .....	50
5.3. Hotel mode .....	12	11.9. A-Board (4/22) Schematic Diagram .....	51
<b>6 Troubleshooting Guide</b> .....	<b>13</b>	11.10. A-Board (5/22) Schematic Diagram .....	52
6.1. Check of the IIC bus lines .....	13	11.11. A-Board (6/22) Schematic Diagram .....	53
6.2. Power LED Blinking timing chart .....	14	11.12. A-Board (7/22) Schematic Diagram .....	54
6.3. No Power .....	15	11.13. A-Board (8/22) Schematic Diagram .....	55
6.4. No Picture .....	16	11.14. A-Board (9/22) Schematic Diagram .....	56
6.5. Local screen failure .....	17	11.15. A-Board (10/22) Schematic Diagram .....	57
<b>7 Disassembly and Assembly Instructions</b> .....	<b>18</b>	11.16. A-Board (11/22) Schematic Diagram .....	58
7.1. Remove the Rear cover .....	18	11.17. A-Board (12/22) Schematic Diagram .....	59
7.2. Remove the P-Board .....	18	11.18. A-Board (13/22) Schematic Diagram .....	60
7.3. Remove the Side terminal cover and Rear terminal cover .....	18	11.19. A-Board (14/22) Schematic Diagram .....	61
7.4. Remove the Tuner unit .....	18	11.20. A-Board (15/22) Schematic Diagram .....	62
7.5. Remove the A-Board .....	19	11.21. A-Board (16/22) Schematic Diagram .....	63
7.6. Remove the Speakers .....	19	11.22. A-Board (17/22) Schematic Diagram .....	64
7.7. Remove the Control button unit .....	19	11.23. A-Board (18/22) Schematic Diagram .....	65
7.8. Remove the GK-Board .....	19	11.24. A-Board (19/22) Schematic Diagram .....	66
7.9. Remove the SU-Board .....	20	11.25. A-Board (20/22) Schematic Diagram .....	67
7.10. Remove the SD-Board .....	20	11.26. A-Board (21/22) Schematic Diagram .....	68
7.11. Remove the SC-Board .....	20	11.27. A-Board (22/22) Schematic Diagram .....	69
7.12. Remove the SS2-Board .....	21	11.28. C1-Board (1/2) Schematic Diagram .....	70
7.13. Remove the SS-Board .....	21	11.29. C1-Board (2/2) Schematic Diagram .....	71
7.14. Remove the Hanger metals and the Stand brackets .....	21	11.30. C2-Board (1/2) Schematic Diagram .....	72
7.15. Remove the C1-Board .....	22	11.31. C2-Board (2/2) Schematic Diagram .....	73
7.16. Remove the C2-Board .....	22	11.32. C3-Board (1/2) Schematic Diagram .....	74
7.17. Remove the C3-Board .....	22	11.33. C3-Board (2/2) Schematic Diagram .....	75
7.18. Remove the Plasma panel section from the Cabinet assy (glass) .....	22	11.34. SC-Board (1/4) Schematic Diagram .....	76
7.19. Remove the S-Board .....	23	11.35. SC-Board (2/4) Schematic Diagram .....	77
7.20. Remove the K-Board .....	23	11.36. SC-Board (3/4) Schematic Diagram .....	78
7.21. Replace the plasma panel .....	24	11.37. SC-Board (4/4) Schematic Diagram .....	79
<b>8 Measurements and Adjustments</b> .....	<b>25</b>	11.38. SS-Board (1/2) Schematic Diagram .....	80
8.1. Adjustment Procedure .....	25	11.39. SS-Board (2/2) and SS2-Board Schematic Diagram .....	81
8.2. Adjustment .....	28	<b>12 Printed Circuit Board</b> .....	<b>82</b>
<b>9 Block Diagram</b> .....	<b>31</b>	12.1. P(P-1)-Board .....	82
9.1. Main Block Diagram .....	31	12.2. P(P-2)-Board .....	85
9.2. Block (1/4) Diagram .....	32	12.3. GK, K, S and SS2-Board .....	86
9.3. Block (2/4) Diagram .....	33	12.4. A-Board .....	87
9.4. Block (3/4) Diagram .....	34	12.5. C1-Board .....	90
9.5. Block (4/4) Diagram .....	35	12.6. C2-Board .....	91
<b>10 Wiring Connection Diagram</b> .....	<b>37</b>	12.7. C3-Board .....	92
10.1. Caution statement .....	37	12.8. SC-Board .....	93
10.2. Wiring (1) .....	37	12.9. SS-Board .....	96
10.3. Wiring (2) .....	38	<b>13 Exploded View and Replacement Parts List</b> .....	<b>99</b>
		13.1. Exploded View and Mechanical Replacement Parts List .....	99
		13.2. Electrical Replacement Parts List .....	104

# 1 Safety Precautions

## 1.1. General Guidelines

1. When conducting repairs and servicing, do not attempt to modify the equipment, its parts or its materials.
2. When wiring units (with cables, flexible cables or lead wires) are supplied as repair parts and only one wire or some of the wires have been broken or disconnected, do not attempt to repair or re-wire the units. Replace the entire wiring unit instead.
3. When conducting repairs and servicing, do not twist the Faston connectors but plug them straight in or unplug them straight out.
4. When servicing, observe the original lead dress. If a short circuit is found, replace all parts which have been overheated or damaged by the short circuit.
5. After servicing, see to it that all the protective devices such as insulation barriers, insulation papers shields are properly installed.
6. After servicing, make the following leakage current checks to prevent the customer from being exposed to shock hazards.

### 1.1.1. Leakage Current Cold Check

1. Unplug the AC cord and connect a jumper between the two prongs on the plug.
2. Measure the resistance value, with an ohmmeter, between the jumpered AC plug and each exposed metallic cabinet part on the equipment such as screwheads, connectors, control shafts, etc. When the exposed metallic part has a return path to the chassis, the reading should be between 1Mohm and 5.2Mohm.

When the exposed metal does not have a return path to the chassis, the reading must be  $\infty$ .

### 1.1.2. Leakage Current Hot Check (See Figure 1.)

1. Plug the AC cord directly into the AC outlet. Do not use an isolation transformer for this check.
2. Connect a 1.5kohm, 10 watts resistor, in parallel with a 0.15 $\mu$ F capacitors, between each exposed metallic part on the set and a good earth ground such as a water pipe, as shown in Figure 1.
3. Use an AC voltmeter, with 1000 ohms/volt or more sensitivity, to measure the potential across the resistor.
4. Check each exposed metallic part, and measure the voltage at each point.
5. Reverse the AC plug in the AC outlet and repeat each of the above measurements.
6. The potential at any point should not exceed 0.75 volts RMS. A leakage current tester (Simpson Model 229 or equivalent) may be used to make the hot checks, leakage current must not exceed 1/2 milliamp. In case a measurement is outside of the limits specified, there is a possibility of a shock hazard, and the equipment should be repaired and rechecked before it is returned to the customer.

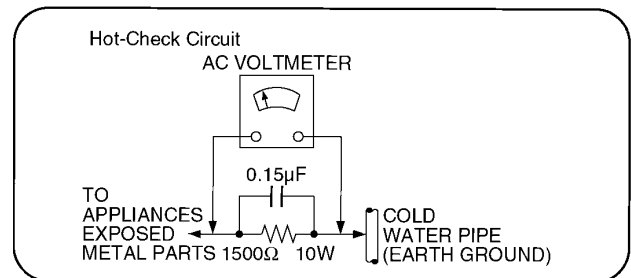


Figure 1

## 2 Warning

### 2.1. Prevention of Electrostatic Discharge (ESD) to Electrostatically Sensitive (ES) Devices

Some semiconductor (solid state) devices can be damaged easily by static electricity. Such components commonly are called Electrostatically Sensitive (ES) Devices. Examples of typical ES devices are integrated circuits and some field-effect transistors and semiconductor [chip] components. The following techniques should be used to help reduce the incidence of component damage caused by electrostatic discharge (ESD).

1. Immediately before handling any semiconductor component or semiconductor-equipped assembly, drain off any ESD on your body by touching a known earth ground. Alternatively, obtain and wear a commercially available discharging ESD wrist strap, which should be removed for potential shock reasons prior to applying power to the unit under test.
2. After removing an electrical assembly equipped with ES devices, place the assembly on a conductive surface such as aluminum foil, to prevent electrostatic charge buildup or exposure of the assembly.
3. Use only a grounded-tip soldering iron to solder or unsolder ES devices.
4. Use only an anti-static solder removal device. Some solder removal devices not classified as [anti-static (ESD protected)] can generate electrical charge sufficient to damage ES devices.
5. Do not use freon-propelled chemicals. These can generate electrical charges sufficient to damage ES devices.
6. Do not remove a replacement ES device from its protective package until immediately before you are ready to install it. (Most replacement ES devices are packaged with leads electrically shorted together by conductive foam, aluminum foil or comparable conductive material).
7. Immediately before removing the protective material from the leads of a replacement ES device, touch the protective material to the chassis or circuit assembly into which the device will be installed.

#### Caution

Be sure no power is applied to the chassis or circuit, and observe all other safety precautions.

8. Minimize bodily motions when handling unpackaged replacement ES devices. (Otherwise ham less motion such as the brushing together of your clothes fabric or the lifting of your foot from a carpeted floor can generate static electricity (ESD) sufficient to damage an ES device).



## 2.2. About lead free solder (PbF)

**Note:** Lead is listed as (Pb) in the periodic table of elements.

In the information below, Pb will refer to Lead solder, and PbF will refer to Lead Free Solder.

The Lead Free Solder used in our manufacturing process and discussed below is (Sn+Ag+Cu).

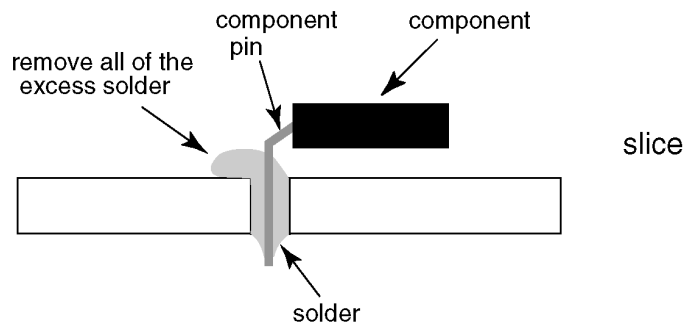
That is Tin (Sn), Silver (Ag) and Copper (Cu) although other types are available.

This model uses Pb Free solder in its manufacture due to environmental conservation issues. For service and repair work, we'd suggest the use of Pb free solder as well, although Pb solder may be used.

PCBs manufactured using lead free solder will have the PbF within a leaf Symbol **PbF** stamped on the back of PCB.

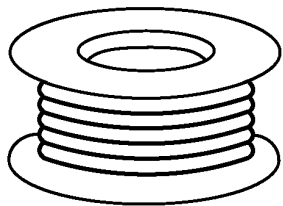
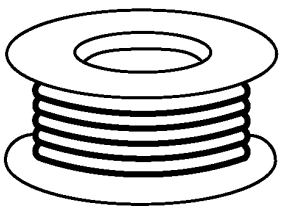
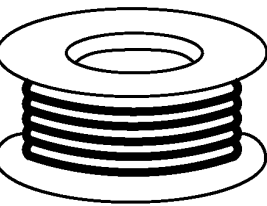
### Caution

- Pb free solder has a higher melting point than standard solder. Typically the melting point is 50 ~ 70 °F (30~40 °C) higher. Please use a high temperature soldering iron and set it to 700 ± 20 °F (370 ± 10 °C).
- Pb free solder will tend to splash when heated too high (about 1100 °F or 600 °C).  
If you must use Pb solder, please completely remove all of the Pb free solder on the pins or solder area before applying Pb solder. If this is not practical, be sure to heat the Pb free solder until it melts, before applying Pb solder.
- After applying PbF solder to double layered boards, please check the component side for excess solder which may flow onto the opposite side. (see figure below)



### Suggested Pb free solder

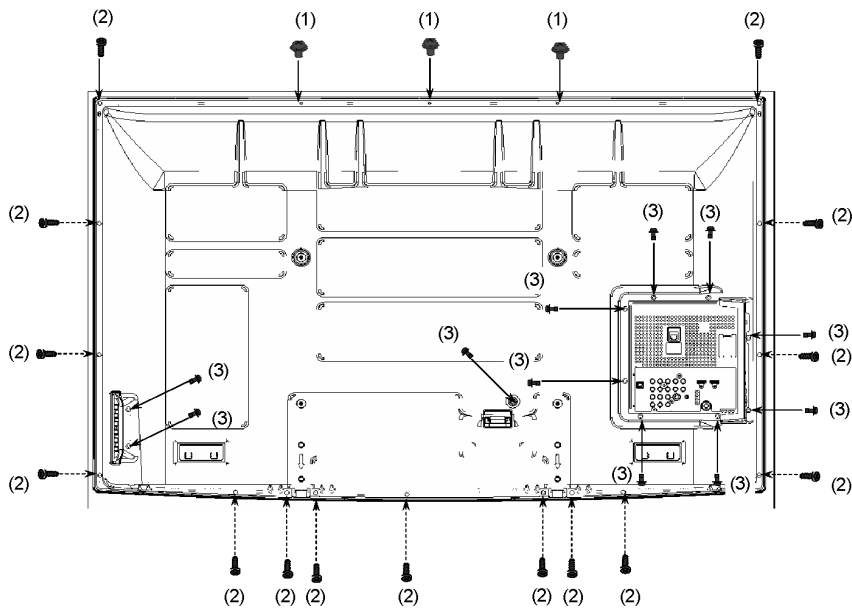
There are several kinds of Pb free solder available for purchase. This product uses Sn+Ag+Cu (tin, silver, copper) solder. However, Sn+Cu (tin, copper), Sn+Zn+Bi (tin, zinc, bismuth) solder can also be used.

0.3mm X 100g	0.6mm X 100g	1.0mm X 100g
		

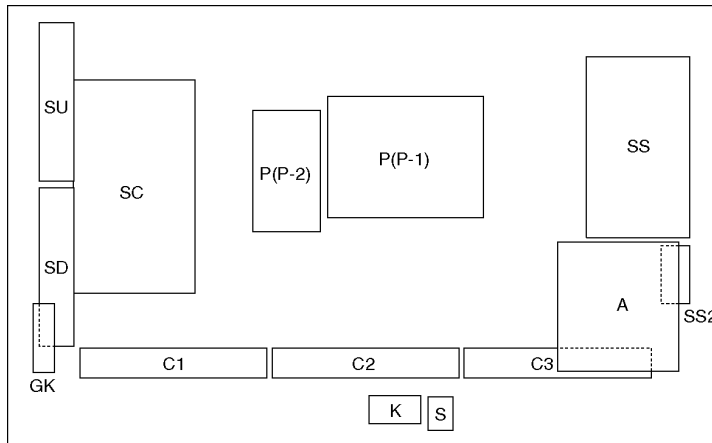
# 3 Service Navigation

## 3.1. Service Hint

Remove the Rear cover



Remove:  
 3screws (1) THEL052Z  
 15screws (2) XTB4+12GFJK  
 11screws (3) THEL0429



Board Name	Function	Board Name	Function
P	Power Supply	C1	Data Driver (Lower Right)
A	DC-DC Converter, Tuner Speaker out, AV Terminal, AV Switch Digital Signal Processor, SYSTEM MPU, HDMI Switch Seine 3LV Format Converter, Plasma AI, Sub-Field Processor	C2	Data Driver (Lower Center)
		C3	Data Driver (Lower Left)
		SC	Scan Drive
		SS	Sustain Drive
		SS2	Sustain out (Lower)
		SU	Scan out (Upper) Non-serviceable. SU-Board should be exchanged for service.
K	Remote receiver, Power LED, C.A.T.S sensor	SD	Scan out (Lower) Non-serviceable. SD-Board should be exchanged for service.
S	Power Switch		
GK	Key Switch		

## 3.2. Applicable signals

\* Mark: Applicable input signal for Component (Y, PB, PR), HDMI and PC

	horizontal frequency (kHz)	vertical frequency (Hz)	COMPONENT	HDMI	PC
525 (480) / 60i	15.73	59.94	*	*	
525 (480) /60p	31.47	59.94	*	*	
750 (720) /60p	45.00	59.94	*	*	
1,125 (1,080) /60i	33.75	59.94	*	*	
1,125 (1,080) /60p	67.43	59.94		*	
1,125 (1,080) /60p	67.50	60.00		*	
1,125 (1,080) /24p	26.97	23.98		*	
1,125 (1,080) /24p	27.00	24.00		*	
640 × 400 @70	31.47	70.08			*
640 × 480 @60	31.47	59.94			*
Macintosh13 inch (640 × 480)	35.00	66.67			*
640 × 480 @75	37.50	75.00			*
852 × 480 @60	31.47	59.94			*
800 × 600 @60	37.88	60.32			*
800 × 600 @75	46.88	75.00			*
800 × 600 @85	53.67	85.08			*
Macintosh16 inch (832 × 624)	49.73	74.55			*
1,024 × 768 @60	48.36	60.00			*
1,024 × 768 @70	56.48	70.07			*
1,024 × 768 @75	60.02	75.03			*
1,024 × 768 @85	68.68	85.00			*
Macintosh 21 inch (1,152 × 870)	68.68	75.06			*
1,280 × 1,024 @60	63.98	60.02			*
1,366 × 768 @60	48.36	60.00			*

### Note

- Signals other than above may not be displayed properly.
- The above signals are reformatted for optimal viewing on your display.

## 4 Specifications

<b>Power Source</b>	AC 120 V, 60 Hz	
<b>Power Consumption</b>		
<b>Maximum</b>	604 W	
<b>Standby condition</b>	0.2 W	
<b>Plasma Display panel</b>		
<b>Drive method</b>	AC type	
<b>Aspect Ratio</b>	16:9	
<b>Visible screen size</b>	54 inch class (54.1 inches measured diagonally)	
<b>(W × H × Diagonal)</b>	47.1 inch × 26.5 inch × 54.1 inch (1,198 mm × 673 mm × 1,374 mm)	
<b>(No. of pixels)</b>	2,073,600 (1,920 (W) × 1,080 (H))[5,760 × 1,080 dots]	
<b>Sound</b>		
<b>Audio Output</b>	20 W [ 10 W + 10 W ] ( 10 % THD )	
<b>PC signals</b>	VGA, SVGA, XGA, WXGA, SXGA	
	Horizontal scanning frequency 31 - 69 kHz	
	Vertical scanning frequency 59 - 86 Hz	
<b>Channel Capability (Digital/Analog)</b>	VHF/ UHF: 2 - 69, CATV: 1 - 135	
<b>Operating Conditions</b>		
	Temperature:	32 °F - 104 °F (0 °C - 40 °C)
	Humidity:	20 % - 80 % RH (non-condensing)
<b>Connection Terminals</b>		
<b>VIDEO IN 1</b>	VIDEO:	RCA PIN Type × 1 1.0 V [p-p] (75 Ω)
	S-VIDEO:	Mini DIN 4-pin Y: 1.0 V [p-p] (75 Ω) C: 0.286 V [p-p] (75 Ω)
	AUDIO L-R:	RCA PIN Type × 2 0.5 V [rms]
<b>VIDEO IN 2</b>	VIDEO:	RCA PIN Type × 1 1.0 V [p-p] (75 Ω)
	AUDIO L-R:	RCA PIN Type × 2 0.5 V [rms]
<b>COMPONENT INPUT 1-2</b>	Y:	1.0 V [p-p] (including synchronization)
	PB, PR:	±0.35 V [p-p]
	AUDIO L-R:	RCA PIN Type × 2 0.5 V [rms]
<b>HDMI 1-3</b>	TYPE A Connector × 3	
	This TV supports [HDAVI Control 4] function.	
<b>PC</b>	D-SUB 15PIN:	R,G,B / 0.7 V [p-p] (75 Ω)
		HD, VD / 1.0 - 5.0 V [p-p] (high impedance)
<b>LAN (for VIERA CAST IPTV)</b>	RJ45 (10BASE-T/100BASE-TX)	
<b>Card slot</b>	SD CARD slot × 1	
<b>AUDIO OUT</b>	AUDIO L-R:	RCA PIN Type × 2 0.5 V [rms]
<b>DIGITAL AUDIO OUT</b>	PCM / Dolby Digital, Fiber Optic	
<b>FEATURES</b>	3D Y/C FILTER	CLOSED CAPTION
	V-Chip	IPTV (VIERA CAST)
	Photo Viewer	Movie player
	HDAVI Control 4	
<b>Dimensions (W × H × D)</b>		
<b>Including pedestal</b>	51.7 inch × 34.8 inch × 15.3 inch (1,313 mm × 882 mm × 387 mm)	
<b>TV Set only</b>	51.7 inch × 32.8 inch × 3.8 inch (4.3 inch) (1,313 mm × 832 mm × 96 mm (107 mm))	
<b>Mass</b>		
<b>Including pedestal</b>	90.4 lb. (41.0 kg)	
<b>TV Set only</b>	83.8 lb. (38.0 kg)	

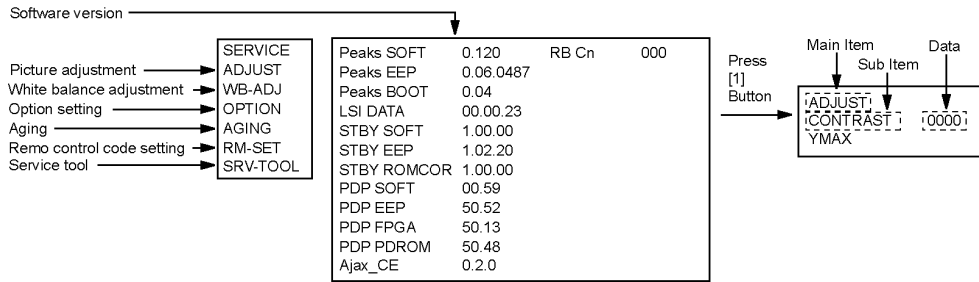
### Note

- Design and Specifications are subject to change without notice. Mass and Dimensions shown are approximate.

# 5 Service Mode

## 5.1. How to enter into Service Mode

While pressing [VOLUME ( - )] button of the main unit, press [INFO] button of the remote control three times within 2 seconds.



### 5.1.1. Key command

[1] button...Main items Selection in forward direction

[2] button...Main items Selection in reverse direction

[3] button...Sub items Selection in forward direction

[4] button...Sub items Selection in reverse direction

[VOL] button...Value of sub items change in forward direction ( + ), in reverse direction ( - )

### 5.1.2. Contents of adjustment mode

- Value is shown as a hexadecimal number.
- Preset value differs depending on models.
- After entering the adjustment mode, take note of the value in each item before starting adjustment.

Main item	Sub item	Sample Data	Remark
ADJUST	CONTRAST	46	
	COLOR	00	
	TINT	00	
	SUB-BRT	000	
WB-ADJ	R-CUT	80	
	G-CUT	80	
	B-CUT	80	
	R-DRV	FC	
	G-DRV	FF	
	B-DRV	E8	
	ALL-CUT	80	
	ALL-DRV	FC	
OPTION	BOOT	ROM	Factory Preset
	STBY-SET	- -	
	EMERGENCY	ON	
	CLK MODE	00	
	CLOCK	000	
AGING	RGBW		
	VERTICAL LINE		
	COUNT		
	ALL WHITE		
	ALL RED		
	ALL GREEN		
	ALL BLUE		
	ON/OFF		
	RAMP WHITE		
	RAMP RED		
	RAMP GREEN		
	RAMP BLUE		
	1% WINDOW		
	COLOR BAR		
	A-ZONE B-ZONE/4 TRIO		
	SCROLL		
	WHITE FLAME		
	LOW SETUP RED		
LOW SETUP GREEN			
LOW SETUP BLUE			
RM-SET	CODE	A	Fixed
SRV-TOOL	-		See next

### 5.1.3. How to exit

Switch off the power with the [POWER] button on the main unit or the [POWER] button on the remote control.

## 5.2. Service tool mode

### 5.2.1. How to access

1. Select [SRV-TOOL] in Service Mode.
2. Press [OK] button on the remote control.

SRV-TOOL	
Display of TD2Microcode version →	TD2Microcode:81c0000e
Display of Flash ROM maker code →	Flash ROM : 1 - 227E
Display of SOS History →	PTCT : 00 . 00 . 00 . 00 . 00
	Time 00000:40      Count 01

← POWER ON TIME/COUNT  
Press [MUTE] button (3sec)

### 5.2.2. Display of SOS History

SOS History (Number of LED blinking) indication.

From left side; Last SOS, before Last, three occurrence before, 2nd occurrence after shipment, 1st occurrence after shipment.

This indication except 2nd and 1st occurrence after shipment will be cleared by [Self-check indication and forced to factory shipment setting].

### 5.2.3. POWER ON TIME/COUNT

Note : To display TIME/COUNT menu, highlight position, then press MUTE for (3sec).

Time : Cumulative power on time, indicated hour : minute by decimal

Count : Number of ON times by decimal

Note : This indication will not be cleared by either of the self-checks or any other command.

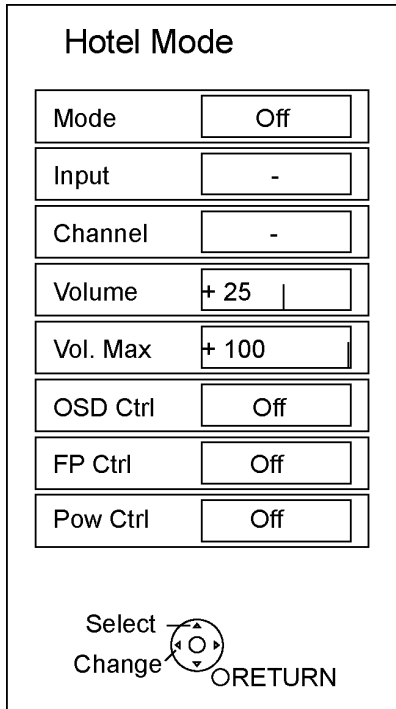
### 5.2.4. Exit

1. Disconnect the AC cord from wall outlet.

### 5.3. Hotel mode

- Purpose  
Restrict a function for hotels.
- Access command to the Hotel mode setup menu  
In order to display the Hotel mode setup menu, please enter the following command (**within 2 second**).  
[TV] : Vol. [Down] + [REMOTE] : INPUT (3 times)

Then, the Hotel mode setup menu is displayed.



- To exit the Hotel mode setup menu  
Disconnect AC power cord from wall outlet.
- Explain the Hotel mode setup menu

item	Function
Mode	Select hotel mode ON/OFF
Input	Select input signal modes. Set the input, when each time power is switched on. Selection: -/RF/COMP1/COMP2/HDMI1/HDMI2/HDMI3/VIDEO1/VIDEO2/PC • Off: give priority to a last memory.
Channel	Select channel when input signal is RF. Set the channel, each time power is switched on. Selection: Any channel number or [-]. [-] means the channel when turns off.
Volume	Adjust the volume when each time power is switched on. Range: 0 to 100
Vol. Max	Adjust maximum volume. Range: 0 to 100
OSD Ctrl	Restrict the OSD. Selection: OFF/PATTERN1 • OFF: No restriction • PATTERN1: restriction
FP Ctrl	Select front key conditions. Selection: Off/Pattern1/All • Off: altogether valid. • Pattern: only input key is valid. • All: altogether invalid.
Pow Ctrl	Select POWER-ON/OFF condition when AC power cord is disconnected and then connected. OFF: The same condition when AC power cord is disconnected. ON: Forced power ON condition.



## 6 Troubleshooting Guide

Use the self-check function to test the unit.

1. Checking the IIC bus lines
2. Power LED Blinking timing

### 6.1. Check of the IIC bus lines

#### 6.1.1. How to access

Self-check indication only:

Produce TV reception screen, and while pressing [VOLUME ( - )] button on the main unit, press [OK] button on the remote control for more than 3 seconds.

Self-check indication and forced to factory shipment setting:

Produce TV reception screen, and while pressing [VOLUME ( - )] button on the main unit, press [MENU] button on the remote control for more than 3 seconds.

#### 6.1.2. Exit

Disconnect the AC cord from wall outlet.

#### 6.1.3. Screen display

SELF CHECK		0.120 - 00.01.0487	
PEAKS	OK	TEMP	OK
TUN1	OK	PANEL	OK
TUN2	OK	GC6	OK
FE	OK		
AVSW	OK		
ADV	OK		
ADAV	OK		
GenX	OK		
MEM1	OK		
MEM2	OK		
Copyright Panasonic Corporation 2009			

#### 6.1.4. Check Point

Confirm the following parts if NG was displayed.

DISPLAY	Ref. No.	Description	P.C.B.
PEAKS	IC8001	Peaks-AVC	A-Board
TUN1	TU8300	TUNER (PLL block)	A-Board
TUN2	TU8300	TUNER (MTS block)	A-Board
FE	IC8300	FRONT AND PROCESSOR	A-Board
AVSW	IC3001	AUDIO/VIDEO SW	A-Board
ADV	IC4510	ADV7471 (ADV7496)	A-Board
ADAV	IC4510	ADV7471 (ADAV4622)	A-Board
GenX	IC1100	SYSTEM MPU	A-Board
MEM1	IC1101	EEPROM (SYSTEM MPU)	A-Board
MEM2	IC8502	EEPROM (Peaks)	A-Board
TEMP	IC4800	TEMP SENSOR	A-Board
PANEL	IC9003	PANEL MICOM	A-Board
GC6	IC5100	GC6	A-Board

## 6.2. Power LED Blinking timing chart

### 1. Subject

Information of LED Flashing timing chart.

### 2. Contents

When an abnormality has occurred the unit, the protection circuit operates and reset to the stand by mode. At this time, the defective block can be identified by the number of blinks of the Power LED on the front panel of the unit.

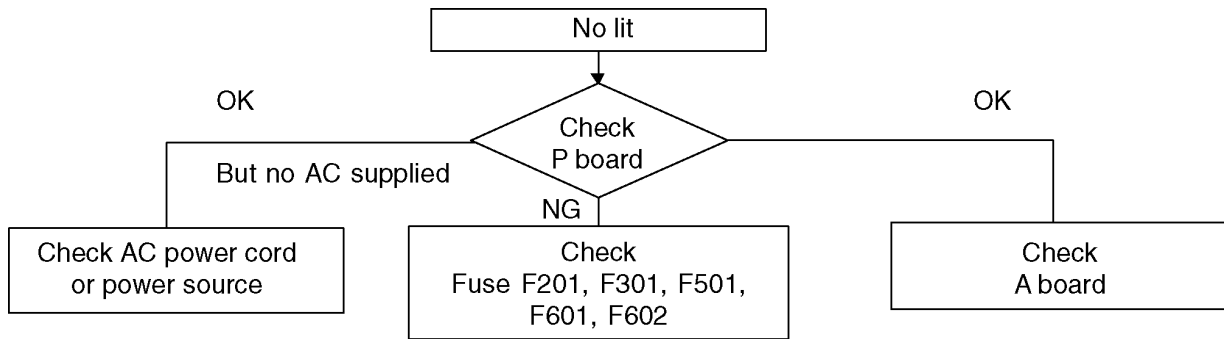
Blinking Times	Blinking timing	Contents	Check point
1	<p>Once                      3 sec</p> <p>Light</p> <p>No Light</p>	No particular check point	-
		Panel Status	-
		STB 5V SENSE Time out	A-Board
2		15V SOS	A-Board
3		3.3V SOS	A-Board
4		Power SOS	P-Board
5		5V SOS	A-Board
6		Driver SOS1 (SC Energy recovery circuit)	SU-Board SD-Board SC-Board
7		Driver SOS2 (SC floating voltage area)	SU-Board SD-Board SC-Board
8		Driver SOS3 (SS FPC/DET) (SS Energy recovery circuit)	SS-Board SS2-Board
9		Communication Error between Panel-MPU and SYS-MPU	A-Board
10		Sub 5V SOS Main 3.3V SOS DTV 9V SOS Tuner Power SOS	A-Board
14		Audio PWM SOS	A-Board

### 6.3. No Power

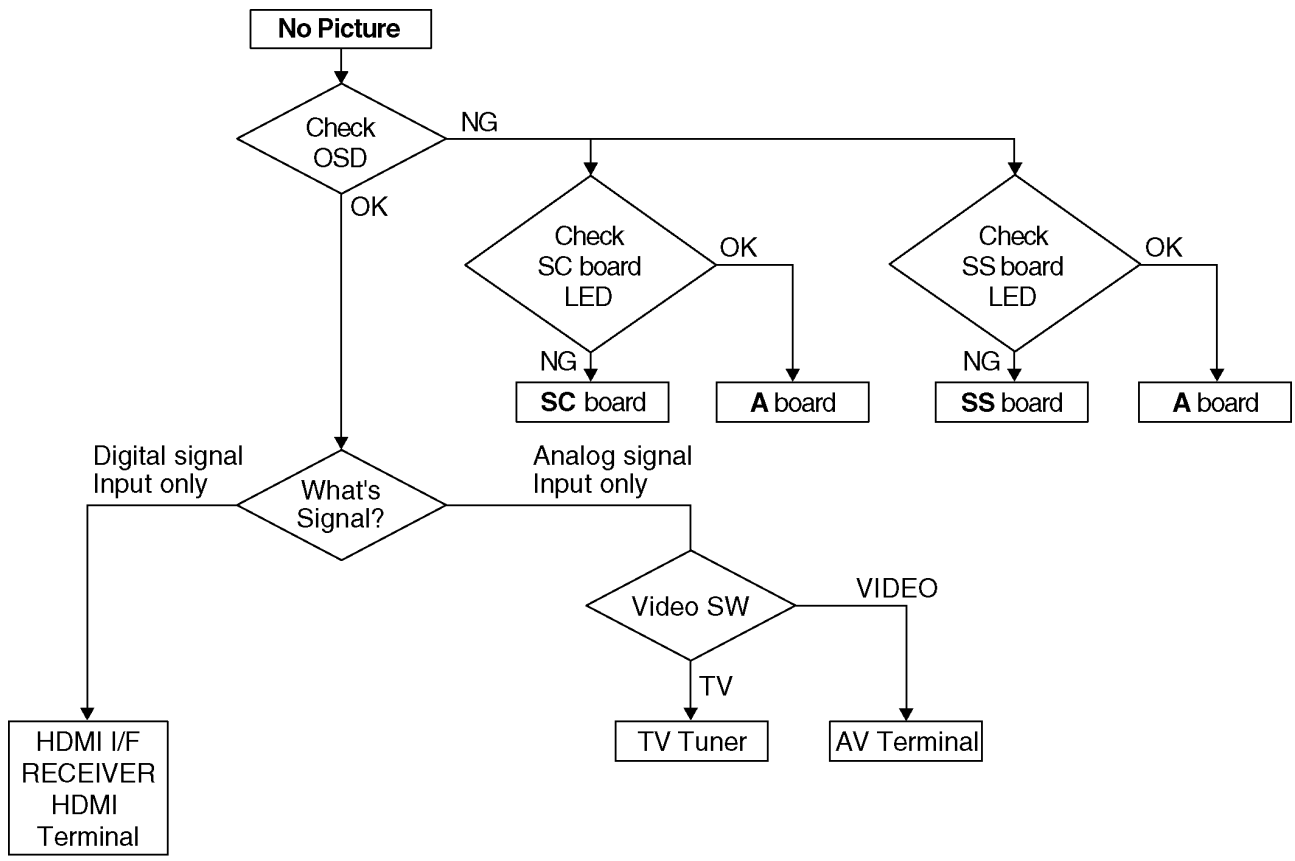
#### First check point

There are following 2 states of No Power indication by power LED.

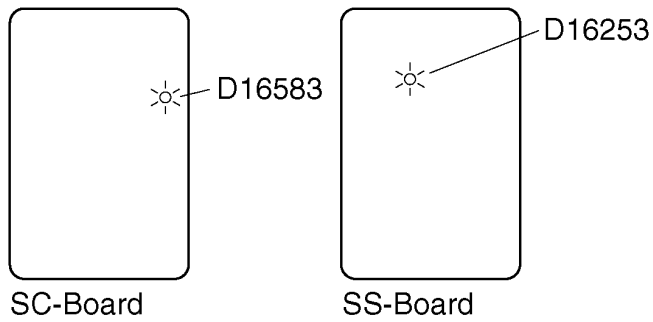
1. No lit
2. Red is lit then turns red blinking a few seconds later. (See 6.2.)



### 6.4. No Picture



#### Drive circuits LED indicator



## 6.5. Local screen failure

Plasma display may have local area failure on the screen. Fig-1 is the possible defect P.C.B. for each local area.

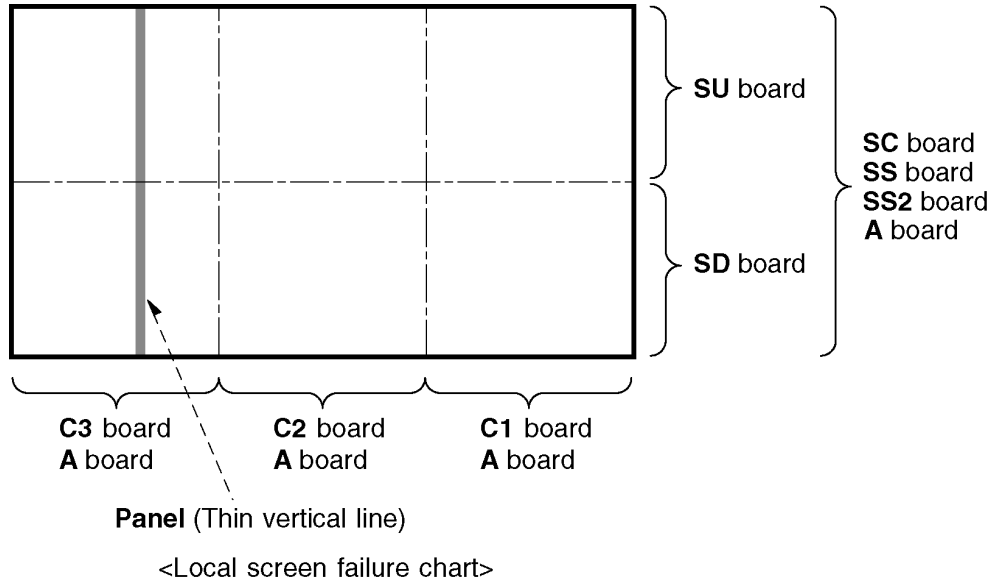


Fig-1

# 7 Disassembly and Assembly Instructions

## 7.1. Remove the Rear cover

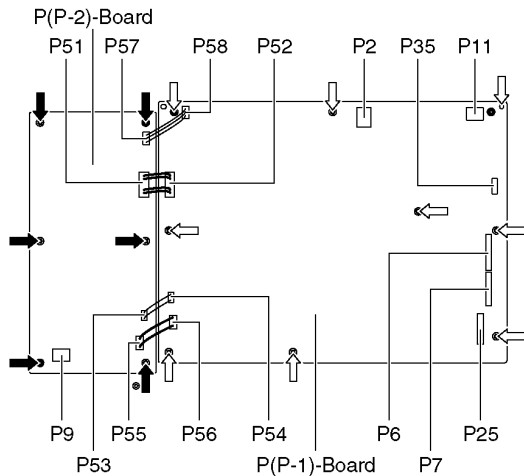
1. See Service Hint (Section 3)

## 7.2. Remove the P-Board

### Caution:

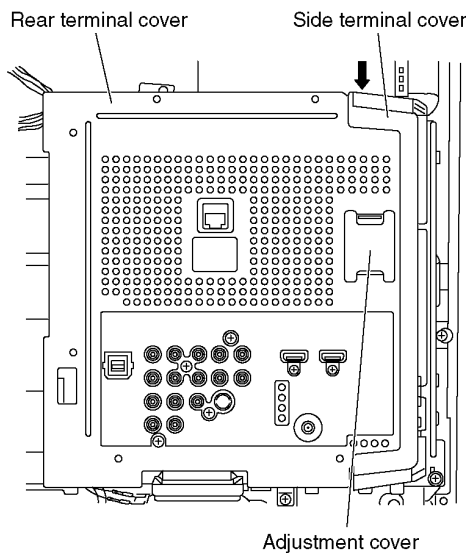
To remove P.C.B. wait 1 minute after power was off for discharge from electrolysis capacitors.

1. Unlock the cable clampers to free the cable
2. Disconnect the connectors (P51-P52, P53-P54, P55-P56 and P57-P58).
3. Disconnect the connectors (P2, P6, P7, P9, P11, P25 and P35).
4. Remove the screws (×9 ⇨) and remove the P(P-1)-Board.
5. Remove the screws (×6 ⇨) and remove the P(P-2)-Board.

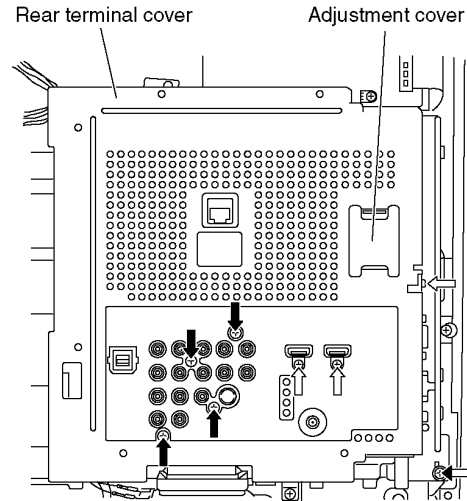


## 7.3. Remove the Side terminal cover and Rear terminal cover

1. Remove the claw (×1 ⇨).
2. Remove the Side terminal cover.

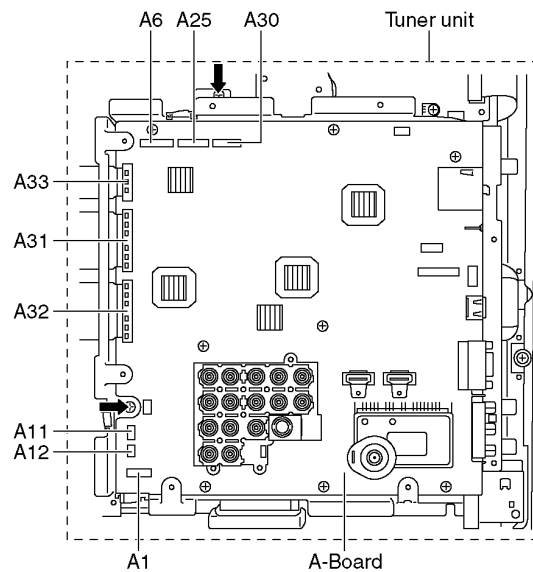


3. Remove the Adjustment cover.
4. Remove the screws (×4 ⇨, ×3 ⇨, ×1 ⇨).
5. Remove the Rear terminal cover.



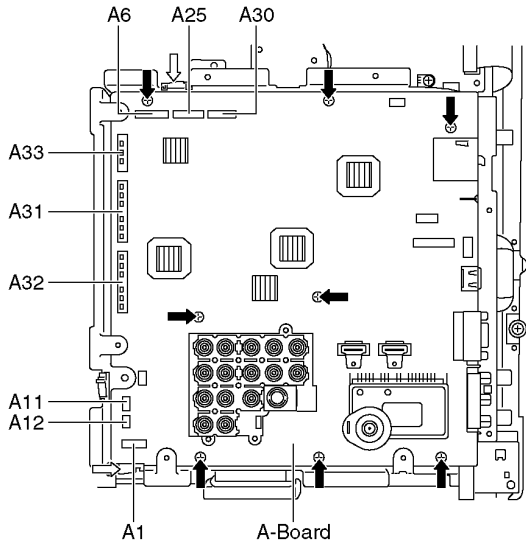
## 7.4. Remove the Tuner unit

1. Unlock the cable clampers to free the cable.
2. Disconnect the connectors (A1, A6 A11, A12, A25 and A30).
3. Disconnect the flexible cables (A31, A32 and A33).
4. Remove the screws (×2 ⇨) and remove the Tuner unit.



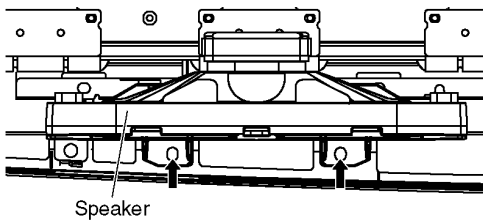
## 7.5. Remove the A-Board

1. Remove the Tuner unit. (See section 7.4.)
2. Remove the clampers ( $\times 2 \rightleftarrows$ ).
3. Remove the screws ( $\times 8 \rightarrow$ ) and remove the A-Board.



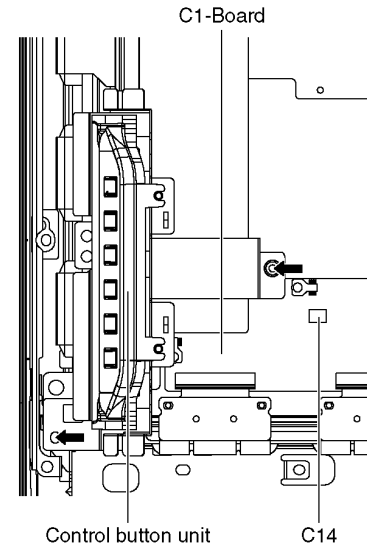
## 7.6. Remove the Speakers

1. Unlock the cable clampers to free the cable.
2. Disconnect the relay connector.
3. Remove the screws ( $\times 2 \rightarrow$ ) and remove the Speaker R.
4. Disconnect the connector (A12). (See section 7.4.)
5. Remove the screws ( $\times 2 \rightarrow$ ) and remove the Speaker L.



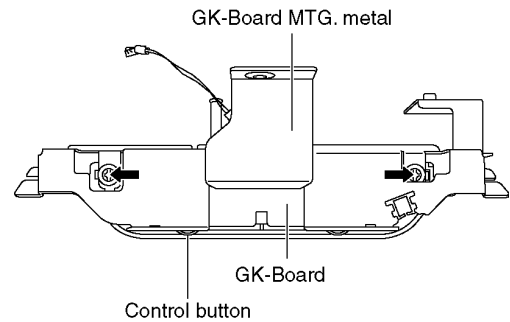
## 7.7. Remove the Control button unit

1. Disconnect the connector (C14).
2. Remove the screws ( $\times 2 \rightarrow$ ).
3. Remove the Control button unit.

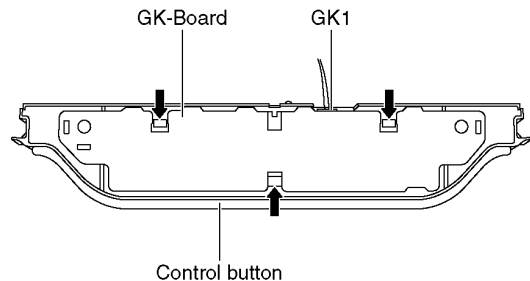


## 7.8. Remove the GK-Board

1. Remove the Control button unit. (See section 7.7.)
2. Remove the screws ( $\times 2 \rightarrow$ ).
3. Remove the GK-Board MTG. metal.

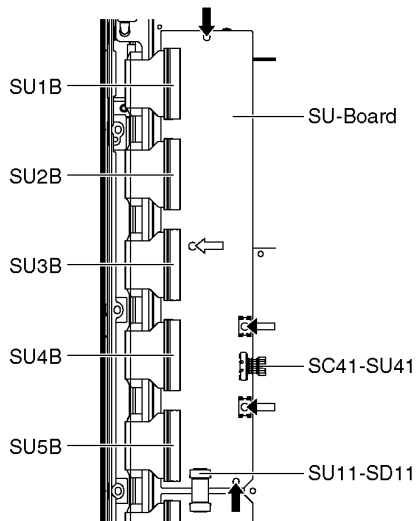


4. Remove the claw ( $\times 3 \rightarrow$ ).
5. Disconnect the connector (GK1).
6. Remove the GK-Board from Control button.



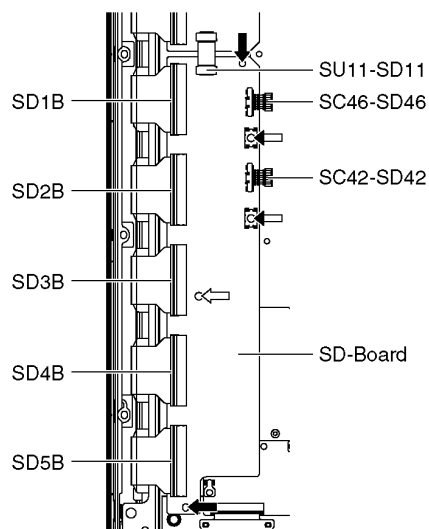
## 7.9. Remove the SU-Board

1. Remove the flexible cables (SU1B, SU2B, SU3B, SU4B and SU5B) connected to the SU-Board.
2. Remove the flexible cable (SU11-SD11) and the bridge connector (SC41-SU41).
3. Remove the molding prop (×1 ⇨).
4. Remove the screws (×2 ⇨, ×2 ⇨) and remove the SU-Board.



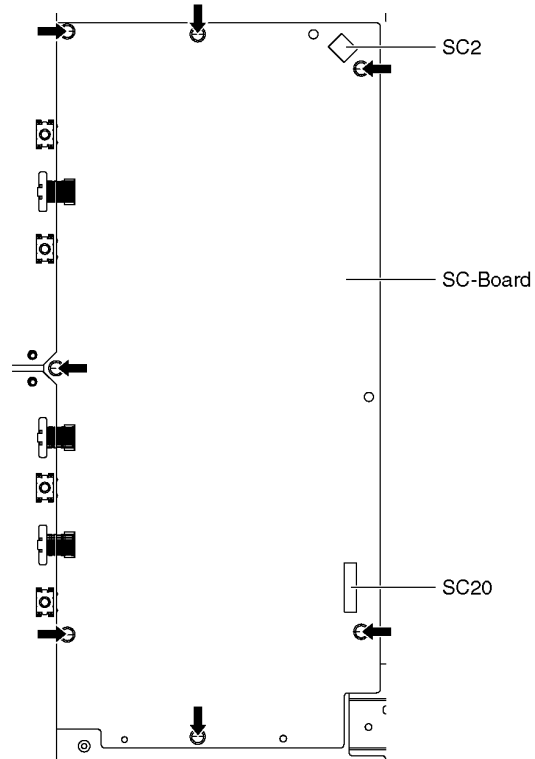
## 7.10. Remove the SD-Board

1. Remove the Control button unit. (See section 7.7.)
2. Remove the flexible cables (SD1B, SD2B, SD3B, SD4B and SD5B) connected to the SD-Board.
3. Remove the flexible cable (SU11-SD11) and the bridge connectors (SC42-SD42 and SC46-SD46).
4. Remove the molding prop (×1 ⇨).
5. Remove the screws (×2 ⇨, ×2 ⇨) and remove the SD-Board.



## 7.11. Remove the SC-Board

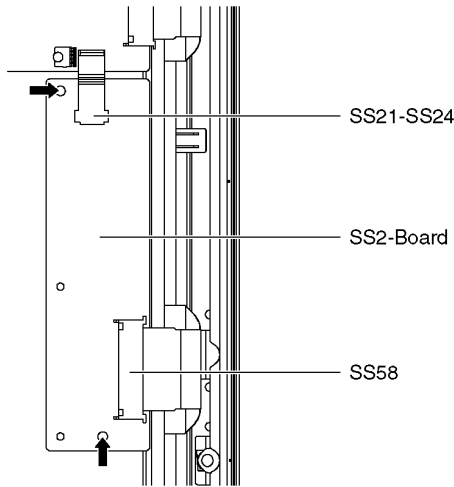
1. Remove the SU-Board and SD-Board. (See section 7.9. and 7.10.)
2. Unlock the cable clampers to free the cable.
3. Disconnect the connector (SC2).
4. Disconnect the flexible cable (SC20).
5. Remove the screws (×7 ⇨) and remove the SC-Board.





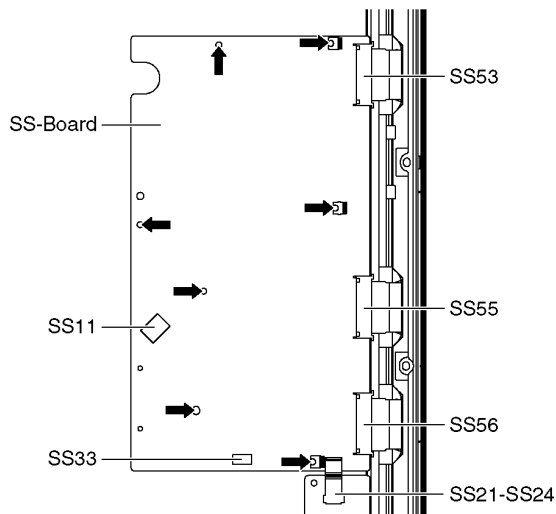
## 7.12. Remove the SS2-Board

1. Remove the Tuner unit. (See section 7.4.)
2. Disconnect the bridge connector (SS21-SS24) and disconnect the flexible cable (SS58).
3. Remove the screws (×2 ➡) and remove the SS2-Board.



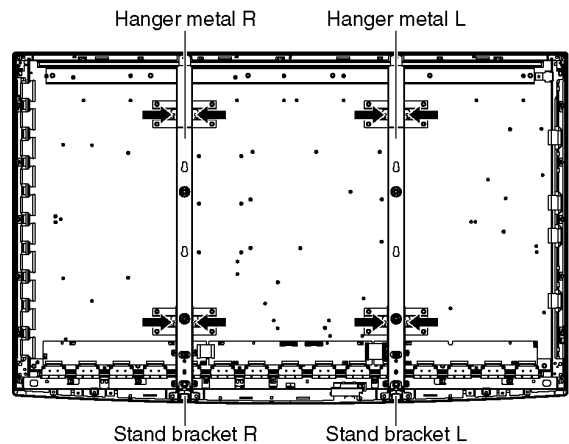
## 7.13. Remove the SS-Board

1. Remove the Tuner unit. (See section 7.4.)
2. Unlock the cable claspers to free the cable.
3. Disconnect the connectors (SS11 and SS33).
4. Disconnect the flexible cables (SS53, SS55 and SS56).
5. Disconnect the bridge connector (SS21-SS24).
6. Remove the screws (×7 ➡) and remove the SS-Board.

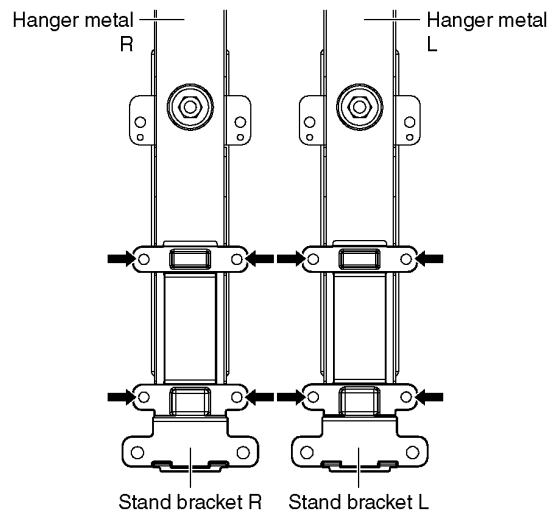


## 7.14. Remove the Hanger metals and the Stand brackets

1. Remove the Plasma panel section from the servicing stand and lay on a flat surface such as a table (covered by a soft cloth) with the Plasma panel surface facing downward.
2. Remove the Hanger metals (L, R) fastening screws (×4 ➡ each) and remove the Hanger metals (L, R).

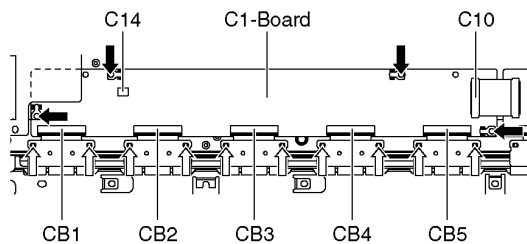


3. Remove the Stand brackets (L, R) fastening screws (×4 ➡ each) and the Stand brackets (L, R).



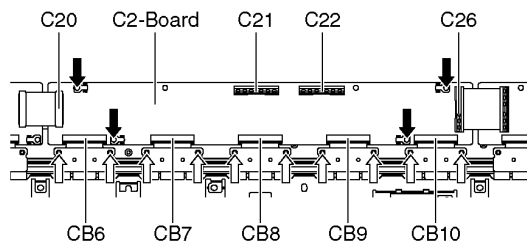
### 7.15. Remove the C1-Board

1. Remove the Control button unit. (See section 7.7.)
2. Remove the Hanger metal R and the Stand bracket R. (See section 7.14.)
3. Remove the flexible cables holder fastening screws (×10 ⇨).
4. Disconnect the flexible cables (CB1, CB2, CB3, CB4 and CB5).
5. Disconnect the flexible cable (C10).
6. Disconnect the connector (C14).
7. Remove the screws (×4 ⇨) and remove the C1-Board.



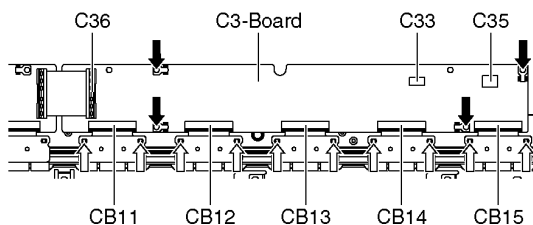
### 7.16. Remove the C2-Board

1. Remove the flexible cables holder fastening screws (×10 ⇨).
2. Disconnect the flexible cables (CB6, CB7, CB8, CB9 and CB10).
3. Disconnect the flexible cables (C20, C21, C22 and C26).
4. Remove the screws (×4 ⇨) and remove the C2-Board.



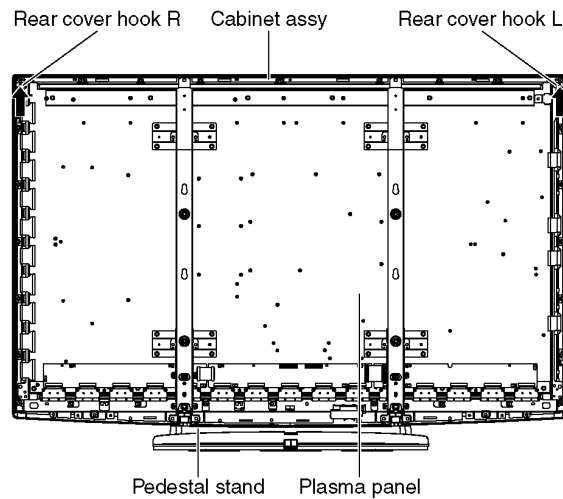
### 7.17. Remove the C3-Board

1. Remove the Tuner unit. (See section 7.4.)
2. Remove the Hanger metal L and the Stand bracket L. (See section 7.14.)
3. Remove the flexible cables holder fastening screws (×10 ⇨).
4. Disconnect the flexible cables (CB11, CB12, CB13, CB14 and CB15).
5. Disconnect the flexible cable (C36).
6. Disconnect the connectors (C33 and C35).
7. Remove the screws (×5 ⇨) and remove the C3-Board.

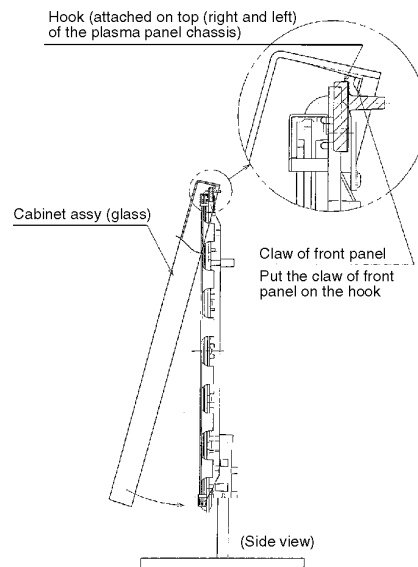


### 7.18. Remove the Plasma panel section from the Cabinet assy (glass)

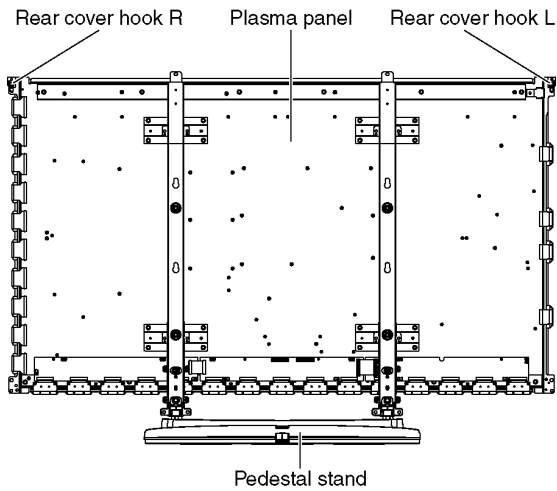
1. Remove the cabinet assy and the plasma panel fastening screws (×2 ⇨).



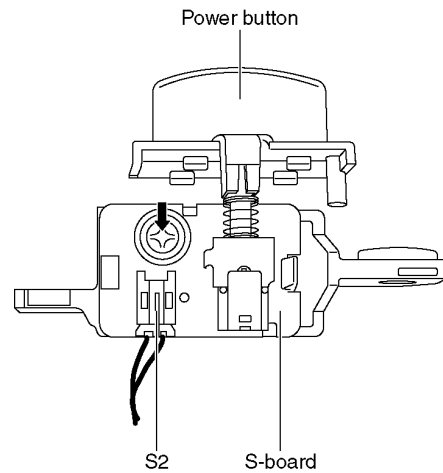
2. For leaving the plasma panel from the front frame, pull the bottom of the cabinet assy forward, lift, and remove.



3. Remove the Rear cover hooks (L, R).

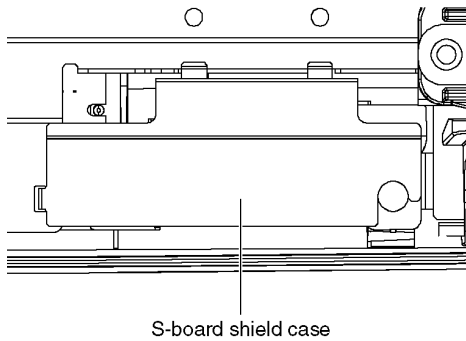


4. Disconnect the connector (S2).
5. Remove the Power button.
6. Remove the screw (×1 ➡) and remove the S-Board.

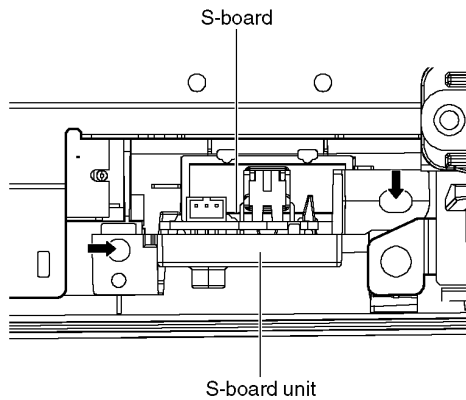


## 7.19. Remove the S-Board

1. Remove the Cabinet assy. (See section 7.18.)
2. Remove the S-Board shield case.

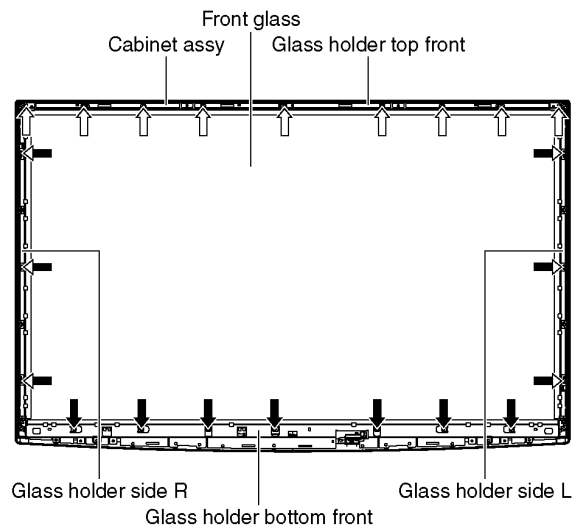


3. Remove the screws (×2 ➡) and remove the S-Board unit.

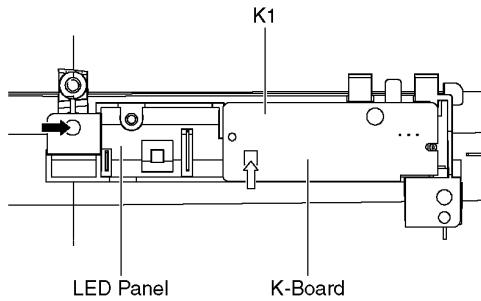


## 7.20. Remove the K-Board

1. Remove the Cabinet assy. (See section 7.18.)
2. Remove the S-Board. (See section 7.19.)
3. Remove the screws (×7 ➡).
4. Remove the screws (×6 ➡).
5. Remove the Glass holder side (L, R).
6. Remove the screws (×9 ⇄).
7. Remove the Glass holder top front.
8. Remove the Glass holder bottom front.



9. Remove the screw (×1 ➡).
10. Remove the claw (×1 ⇨).
11. Disconnect the connector (K1) and remove the K-Board from LED Panel.



## 7.21. Replace the plasma panel

### Caution:

**A new plasma panel itself without Hanger metals is fragile.**

**To avoid the damage to new plasma panel, carry a new plasma panel taking hold of the Hanger metals after assembling the Hanger metals and the Stand brackets.**

1. Place a carton box packed a new plasma panel on the flat surface of the work bench.
2. Open a box and without taking a new plasma panel; Attach the C1-Board, C2-Board and the C3-Board, connect the flexible cables from the plasma panel to the C1-Board, C2-Board and the C3-Board, and fit the flexible cable holders.
3. Attach the Hanger metals and the Stand brackets to the new plasma panel.
4. Place the plasma panel on the servicing stand taking hold of the Hanger metals.
5. Attach the cabinet assy and each P.C.Board and so on, to the new plasma panel.

**\*When fitting the cabinet assy, be careful not to allow any debris, dust or handling residue to remain between the front glass and plasma panel.**

# 8 Measurements and Adjustments

## 8.1. Adjustment Procedure

### 8.1.1. Driver Set-up

#### 8.1.1.1. Item / Preparation

1. Input a white signal to plasma video input.
2. Set the picture controls as follows.  
 Picture menu: Vivid  
 Normal: Set  
 Aspect: Full

#### Caution

1. First perform Vsus adjustment.
2. The Vscn voltages are measured from the Vad (Vad\_base), but may be measured from the GND (GND\_base) in an unavoidable case.

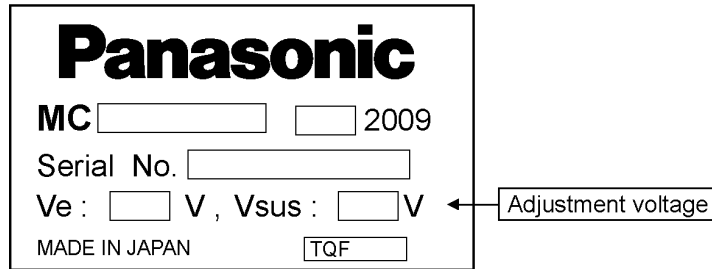
#### 8.1.1.2. Adjustments

Adjust driver section voltages referring the panel data on the panel data label.  
 Check or adjust the following voltages with the multimeter.

Name	Test Point	Voltage	Volume	Remarks
Vsus	TPVSUS (SS)	Vsus $\pm$ 2V	VR251 (P)	*
Ve	TPVE (SS)	Ve $\pm$ 2.5V	Fixed	*
Vset	TPVSET (SC)	290V $\pm$ 9V	Fixed	
Vad	TPVAD (SC)	- 175V $\pm$ 2V	VR16600 (SC)	
Vscn	TPVSCN (SC)	Vad_base : 145V $\pm$ 4V GND_base : - 30V $\pm$ 6V	Fixed	
Vda	TP9 (P)	60V + 1V, - 2V	Fixed	

\*See the Panel label.

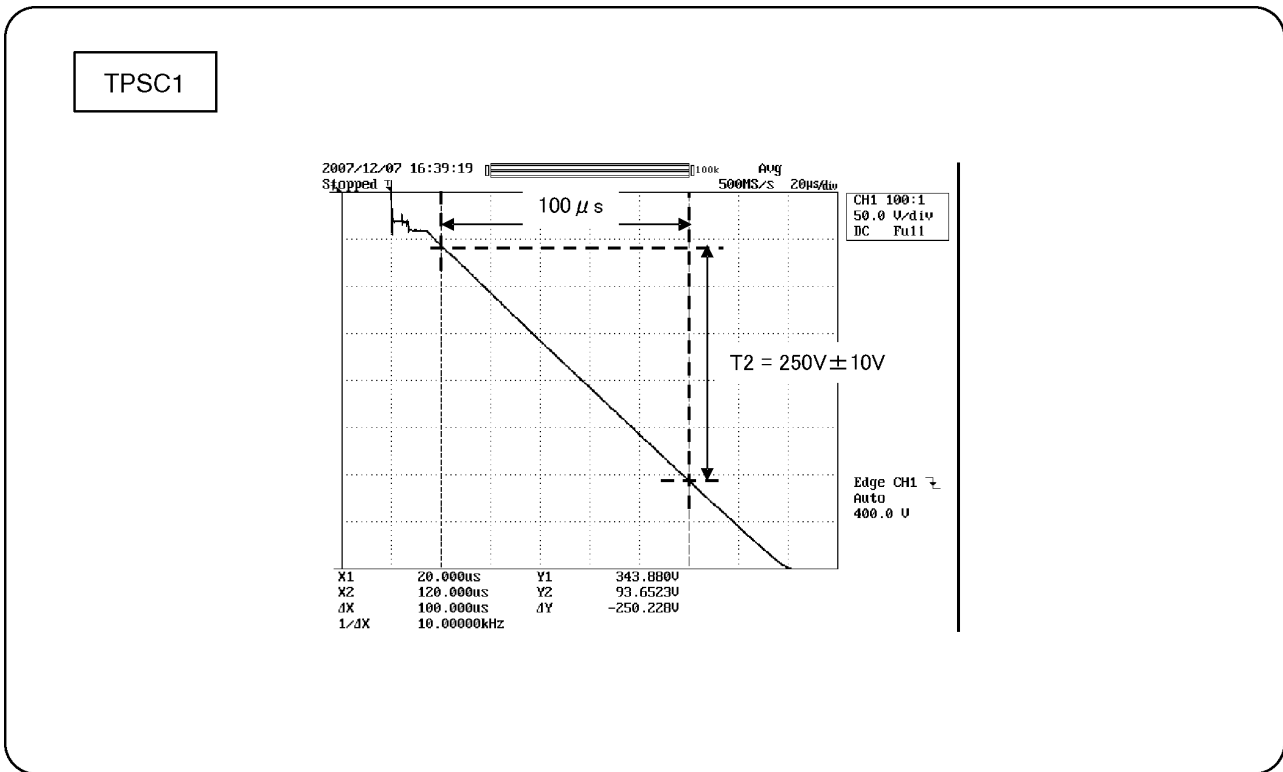
Panel Label information



### 8.1.2. Initialization Pulse Adjust

1. Input the White signal to plasma video input.
2. Set the picture controls as follows.  
 Picture menu : Vivid  
 Normal : Set  
 Aspect : Full
3. Connect Oscilloscope to TPSC1 (SC).  
 Check the voltage (T2) at 100µs period on the down slop.

	Test point	Volume	Level
T2	TPSC1 (SC)	VR16601 (SC)	250 V ± 10 V



### 8.1.3. P.C.B. (Printed Circuit Board) exchange

#### 8.1.3.1. Caution

1. To remove P.C.B., wait 1 minute after power was off for discharge from electrolysis capacitors.

#### 8.1.3.2. Quick adjustment after P.C.B. exchange

Adjust the following voltages with the multimeter.

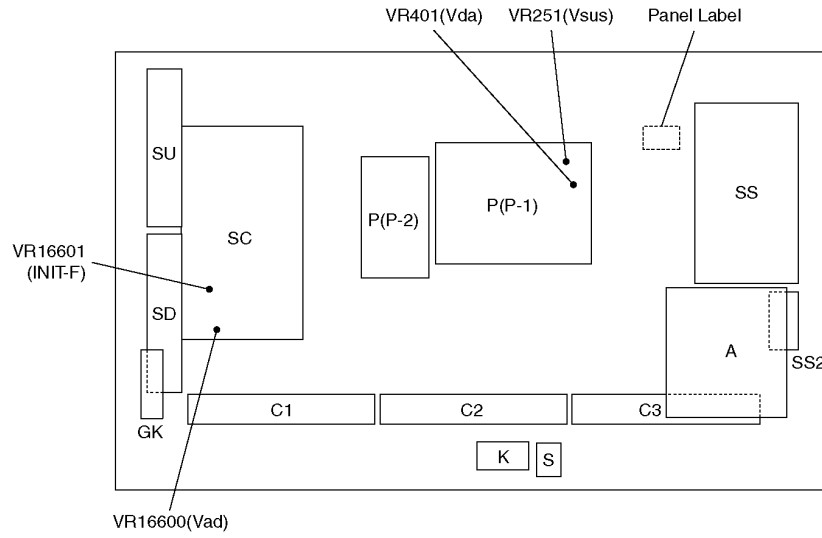
P.C.B.	Name	Test Point	Voltage	Volume	Remarks
P Board	Vsus	TPVSUS (SS)	Vsus ± 2V	VR251 (P)	*
SC Board	Vad	TPVAD (SC)	- 175V ± 2V	VR16600 (SC)	
A Board	White balance and Sub brightness for NTSC, PAL, HD, PC and 625i signals				

\*See the Panel label.

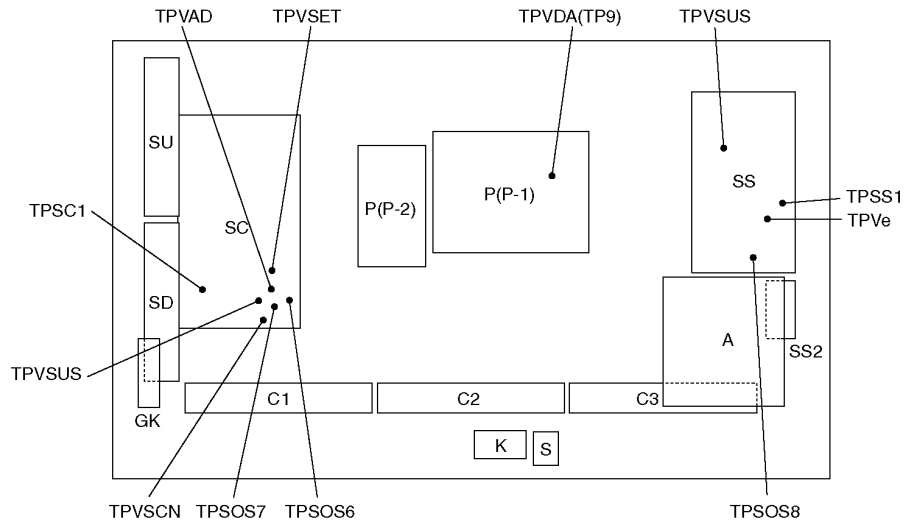
#### Caution:

Absolutely do not reduce Vsus below Ve not to damage the P.C.B.

### 8.1.4. Adjustment Volume Location



### 8.1.5. Test Point Location



## 8.2. Adjustment

### 8.2.1. White balance adjustment

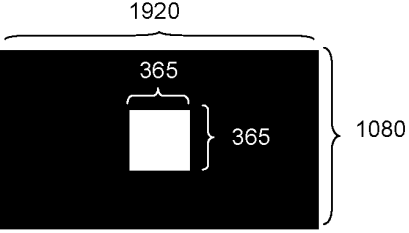
Name of measuring instrument	Connection	Remarks
<ul style="list-style-type: none"> <li>• THX pattern</li> <li>• Color analyzer (Minolta CA-100 or equivalent)</li> </ul>	Component input or HDMI input or ATSC 1080i signal Panel surface	
Procedure		Remarks
<ul style="list-style-type: none"> <li>• Make sure the front panel to be used on the final set is fitted.</li> <li>• Make sure a color signal is not being shown before adjustment.</li> <li>• Put the color analyzer where there is little color variation.</li> </ul> <ol style="list-style-type: none"> <li>1. Set the Picture menu to [cinema] and output the THX pattern.                             <div style="text-align: center; margin: 10px 0;">  <p style="margin: 0;">THX pattern</p> </div> </li> <li>2. Check that the color temperature is [Cool].</li> <li>3. Set to serviceman mode, WB-ADJ.</li> <li>4. Set [R-CUT] [G-CUT] [B-CUT] the values written in table 1.</li> <li>5. Attach the sensor of color analyzer to the center of highlight window.</li> <li>6. Fix G drive at C0h and adjust [B-DRV] and [R-DRV] so x, y value of color analyzer become the [Color temperature High] in table 2.</li> <li>7. Increase RGB together so the maximum drive value in RGB becomes FC. That is, set [ALL DRIVE] to FC. Execute adjustment again. When that, the maximum value of R/G/B DRV should be FC, and either R/G/B DRV should be FC.</li> <li>8. Set color temperature to [Normal].</li> <li>9. Set [R-CUT] [G-CUT] [B-CUT] the values written in table 1.</li> <li>10. Attach the sensor of color analyzer to the center of highlight window.</li> <li>11. Fix G drive at C0h and adjust [B-DRV] and [R-DRV] so x, y value of color analyzer become the [Color temperature Mid] in table 2.</li> <li>12. Increase RGB together so the maximum drive value in RGB becomes FC. That is, set [ALL DRIVE] to FC. Execute adjustment again. When that, the maximum value of R/G/B DRV should be FC, and either R/G/B DRV should be FC.</li> <li>13. Set color temperature to [Warm].</li> <li>14. Set [R-CUT] [G-CUT] [B-CUT] the values written in table 1.</li> <li>15. Attach the sensor of color analyzer to the center of highlight window.</li> <li>16. Fix G drive at C0h and adjust [B-DRV] and [R-DRV] so x, y value of color analyzer become the [Color temperature Low] in table 2.</li> <li>17. Increase RGB together so the maximum drive value in RGB becomes FC. That is, set [ALL DRIVE] to FC. Execute adjustment again. When that, the maximum value of R/G/B DRV should be FC, and either R/G/B DRV should be FC.</li> <li>18. Set color temperature to [Cool].</li> </ol>		



Table 1: R-CUT,G-CUT,B-CUT setting data

Color temperature	R-CUT	G-CUT	B-CUT
High(Cool)	80	80	80
Mid	80	80	80
Low(Warm)	80	80	80

Table 2: W/B adjustment values

Color temperature	x	y
High(Cool)	0.276	0.276
Mid	0.288	0.303
Low(Warm)	0.306	0.327

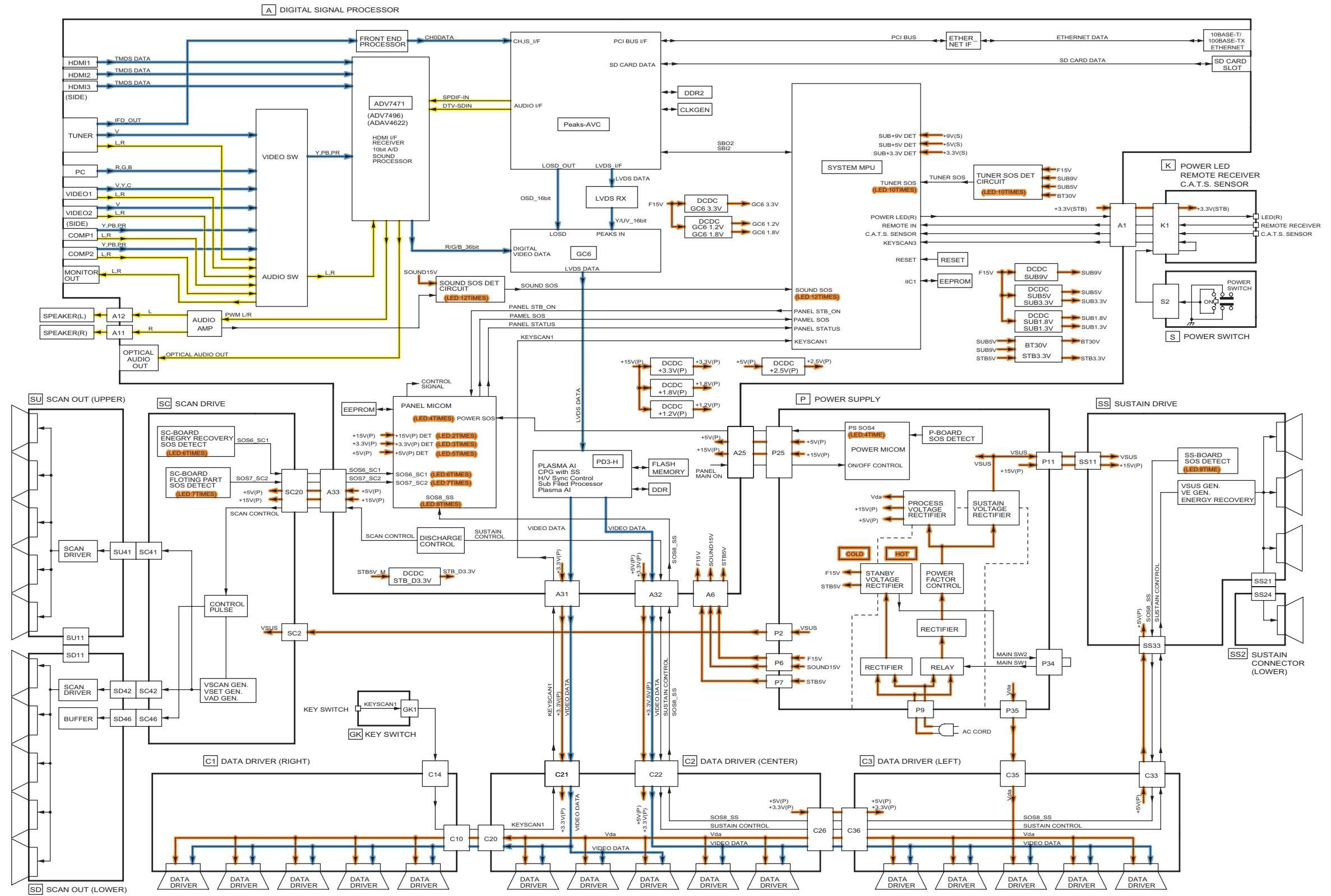
Table 3: EEPROM data addresses

SD/ Color temperature High	R-CUTOFF	017C
	G-CUTOFF	017D
	B-CUTOFF	017E
	R-DRIVE	017F
	G-DRIVE	0180
	B-DRIVE	0181
SD/ Color temperature Mid	R-CUTOFF	0182
	G-CUTOFF	0183
	B-CUTOFF	0184
	R-DRIVE	0185
	G-DRIVE	0186
	B-DRIVE	0187
SD/ Color temperature Low	R-CUTOFF	0188
	G-CUTOFF	0189
	B-CUTOFF	018A
	R-DRIVE	018B
	G-DRIVE	018C
	B-DRIVE	018D
HD/ Color temperature High	R-CUTOFF	018E
	G-CUTOFF	018F
	B-CUTOFF	0190
	R-DRIVE	0191
	G-DRIVE	0192
	B-DRIVE	0193
HD/ Color temperature Mid	R-CUTOFF	0194
	G-CUTOFF	0195
	B-CUTOFF	0196
	R-DRIVE	0197
	G-DRIVE	0198
	B-DRIVE	0199
HD/ Color temperature Low	R-CUTOFF	019A
	G-CUTOFF	019B
	B-CUTOFF	019C
	R-DRIVE	019D
	G-DRIVE	019E
	B-DRIVE	019F

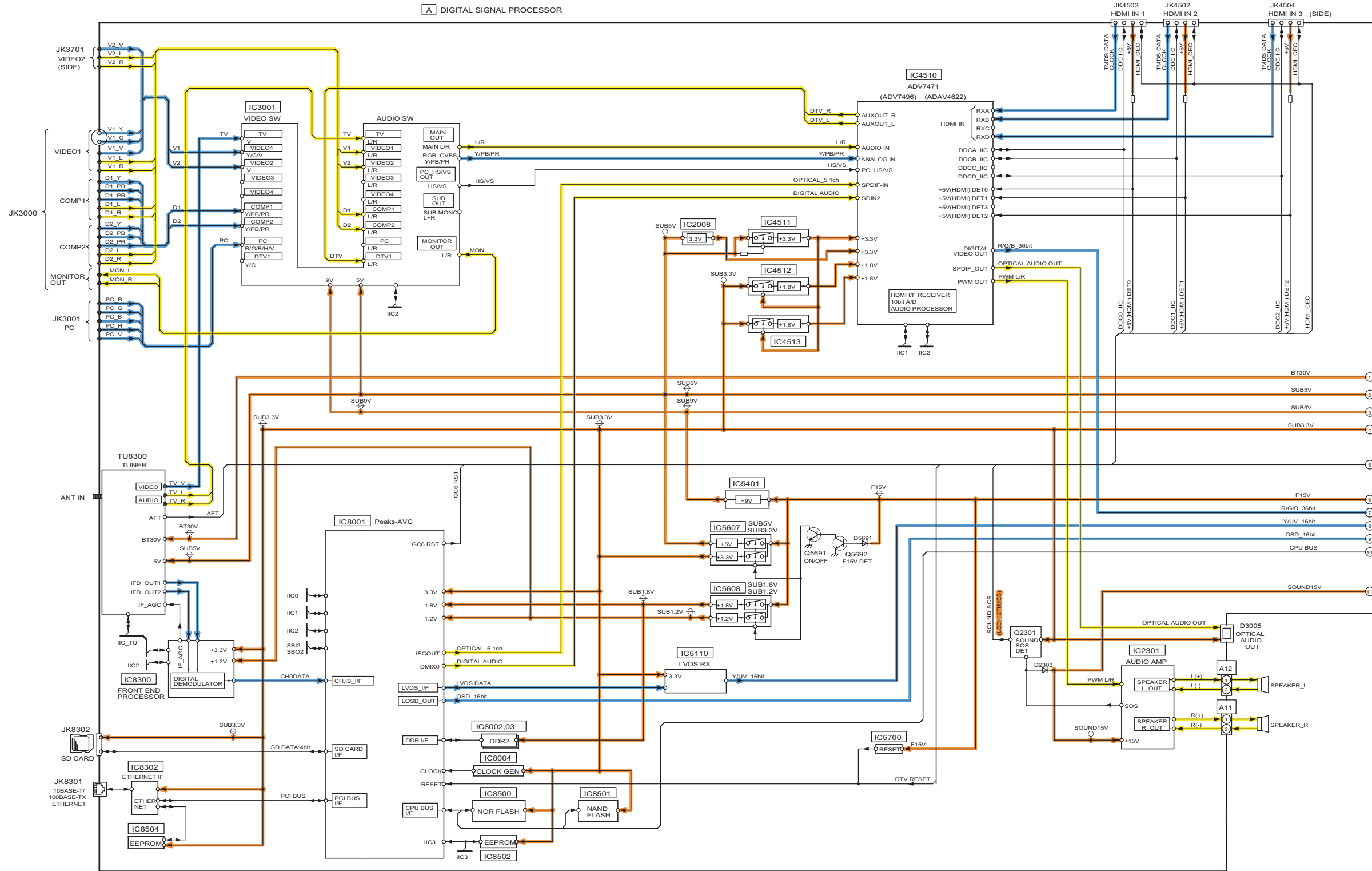


# 9 Block Diagram

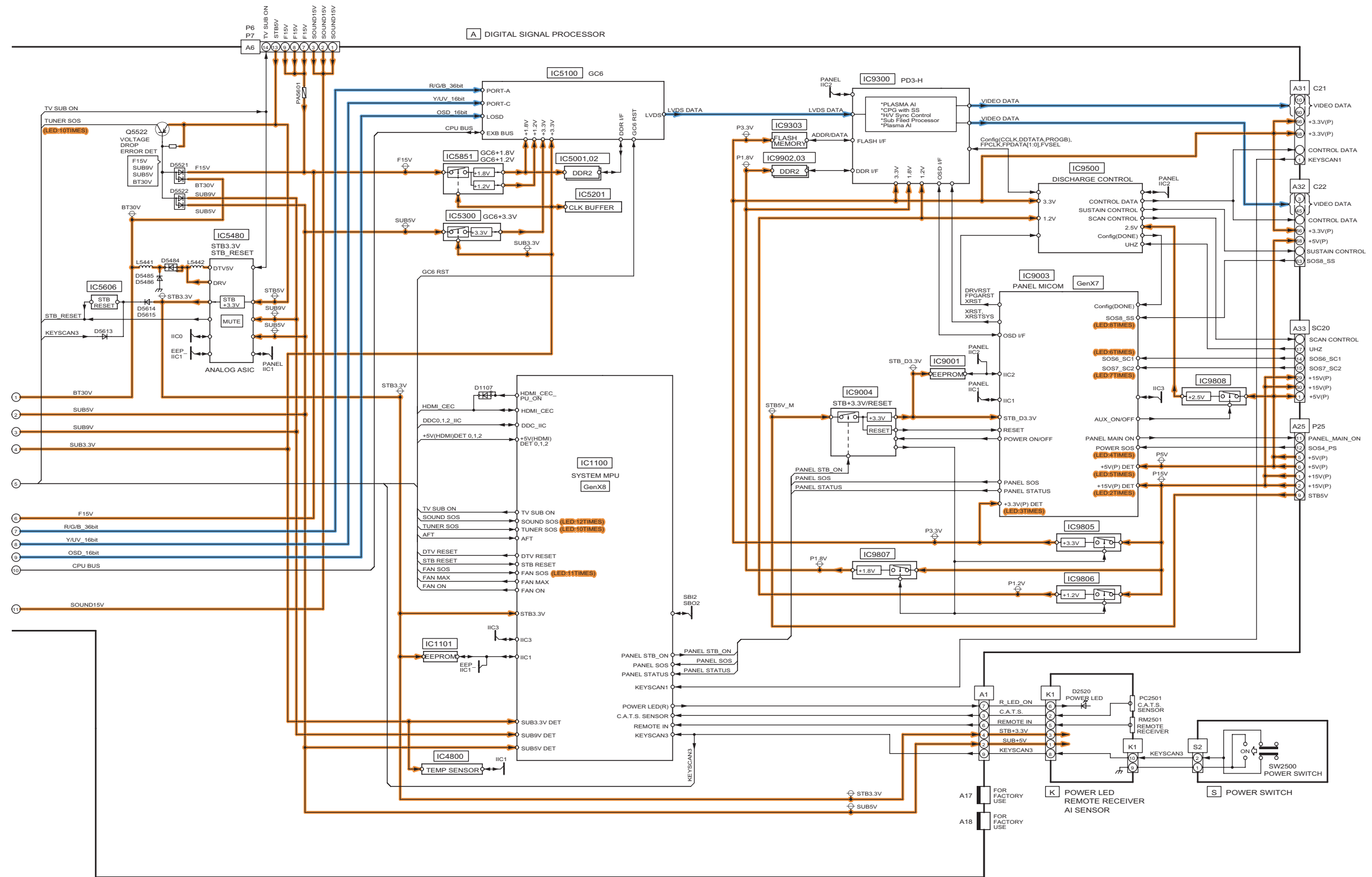
## 9.1. Main Block Diagram



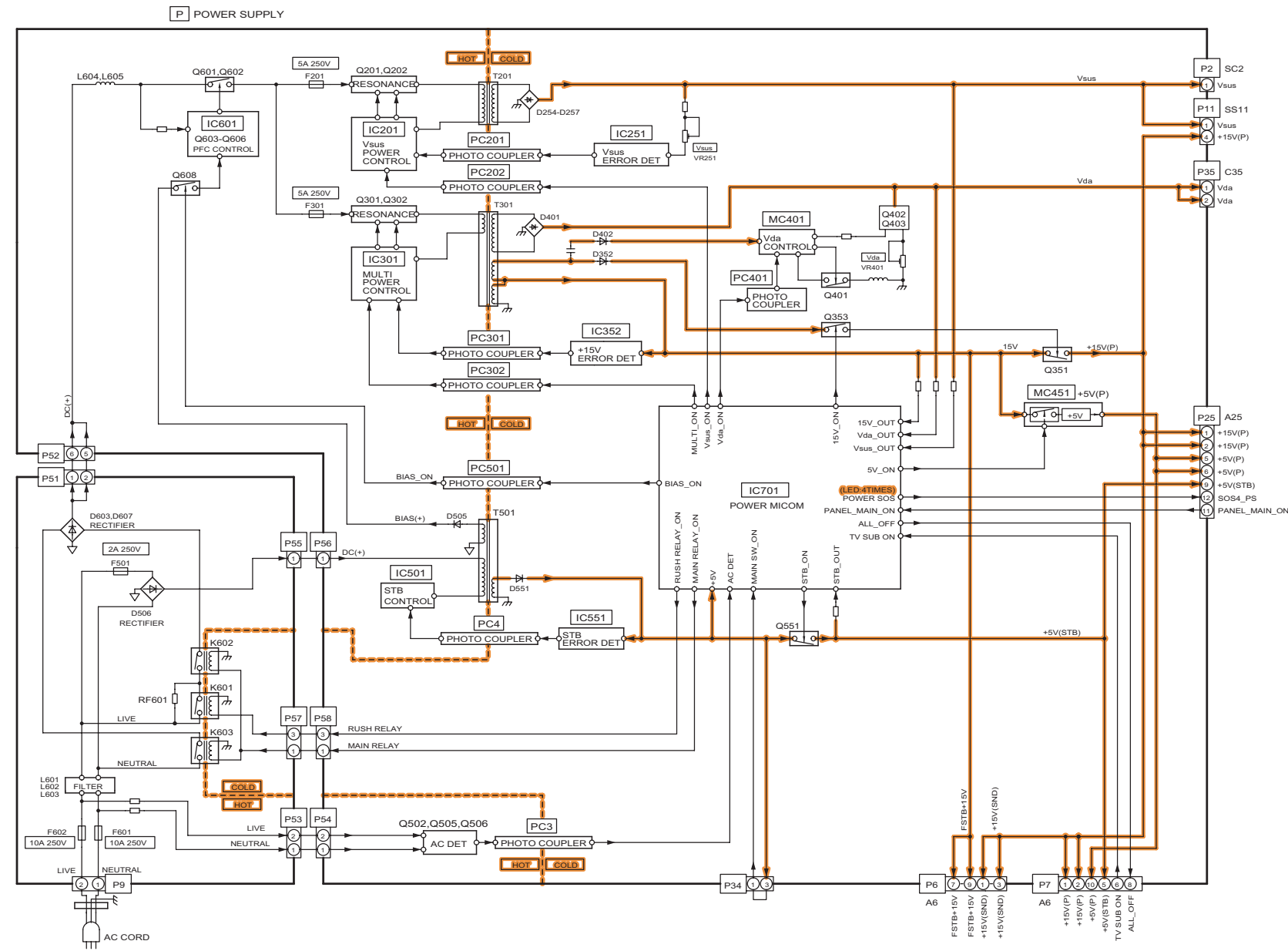
### 9.2. Block (1/4) Diagram



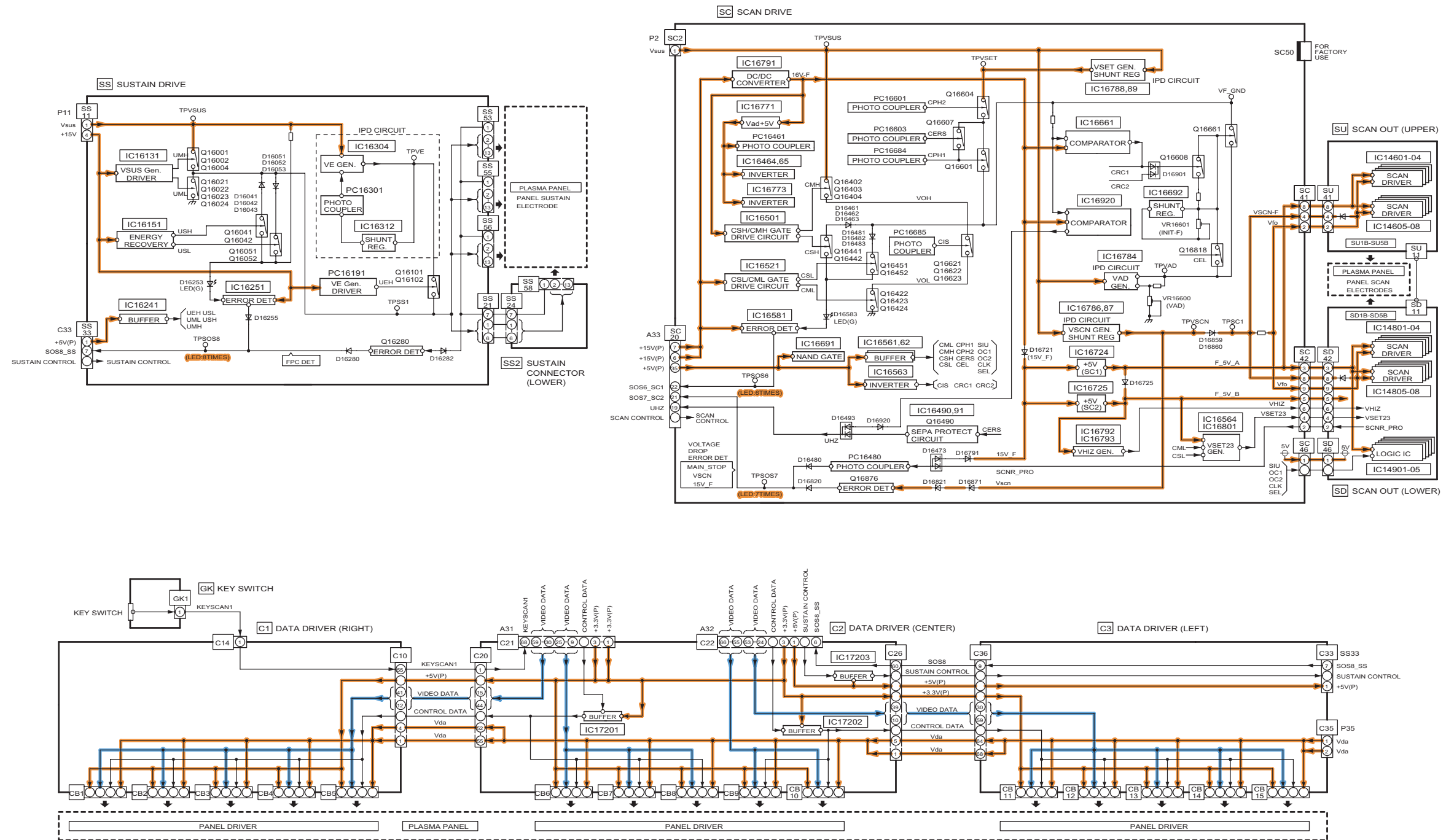
### 9.3. Block (2/4) Diagram



### 9.4. Block (3/4) Diagram



## 9.5. Block (4/4) Diagram







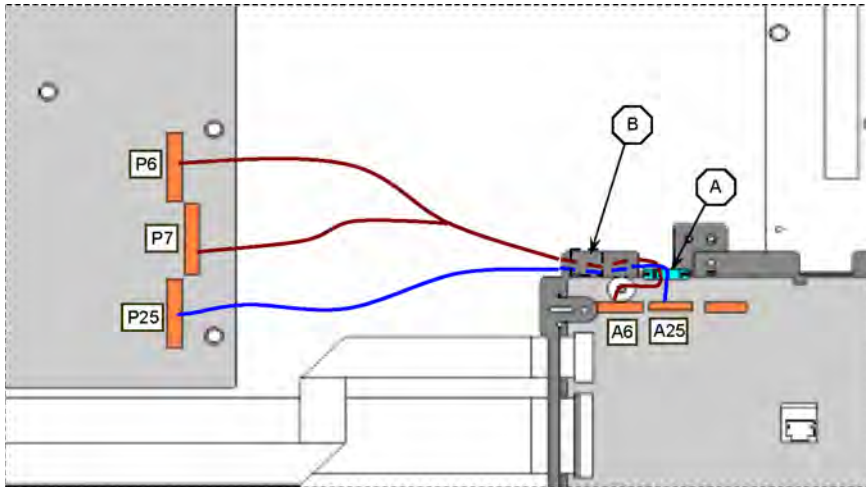
# 10 Wiring Connection Diagram

## 10.1. Caution statement.

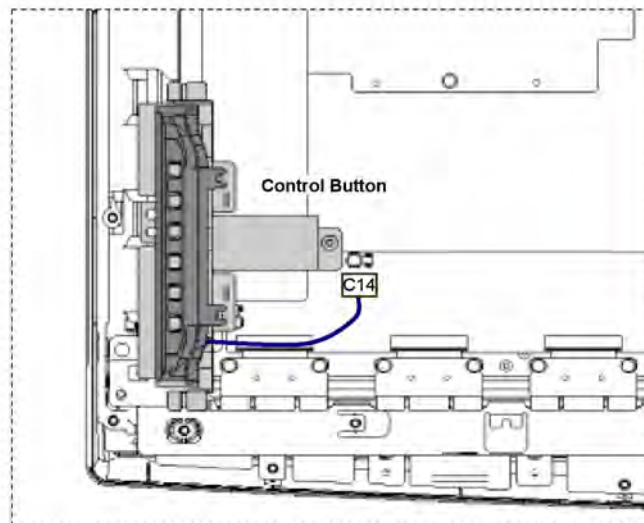
**Caution:**

- Please confirm that all flexible cables are assembled correctly.
- Also make sure that they are locked in the connectors.
- Verify by giving the flexible cables a very slight pull.

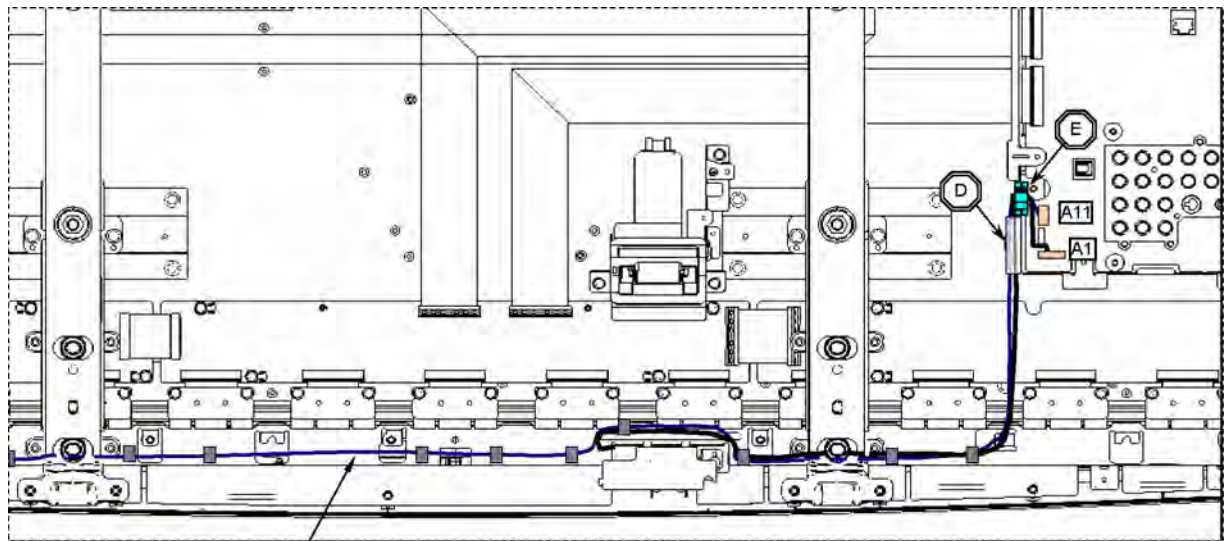
## 10.2. Wiring (1)



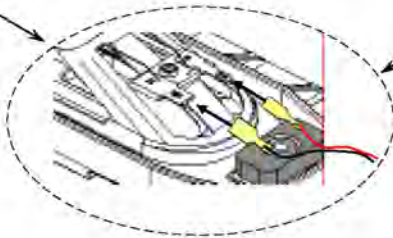
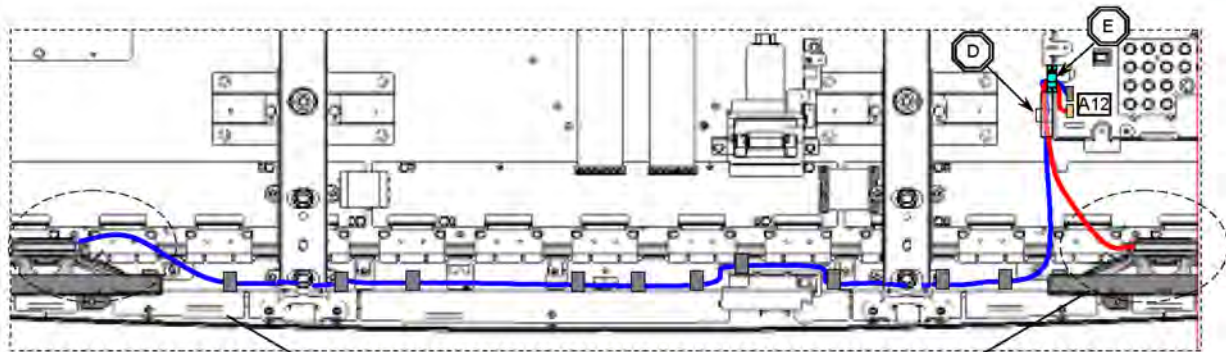
CABLE	CLAMPERS	
	A	B
A6-P6/P7	●	●
A25-P25	●	●



### 10.3. Wiring (2)

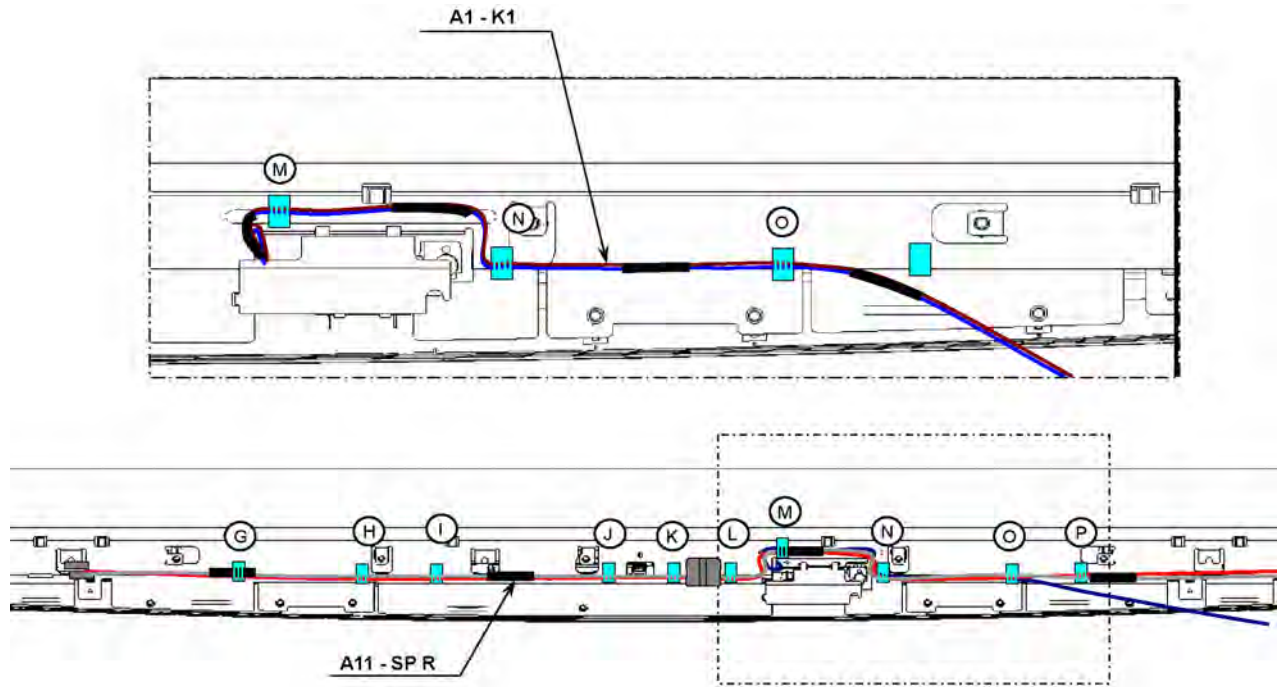


A11 - SP R



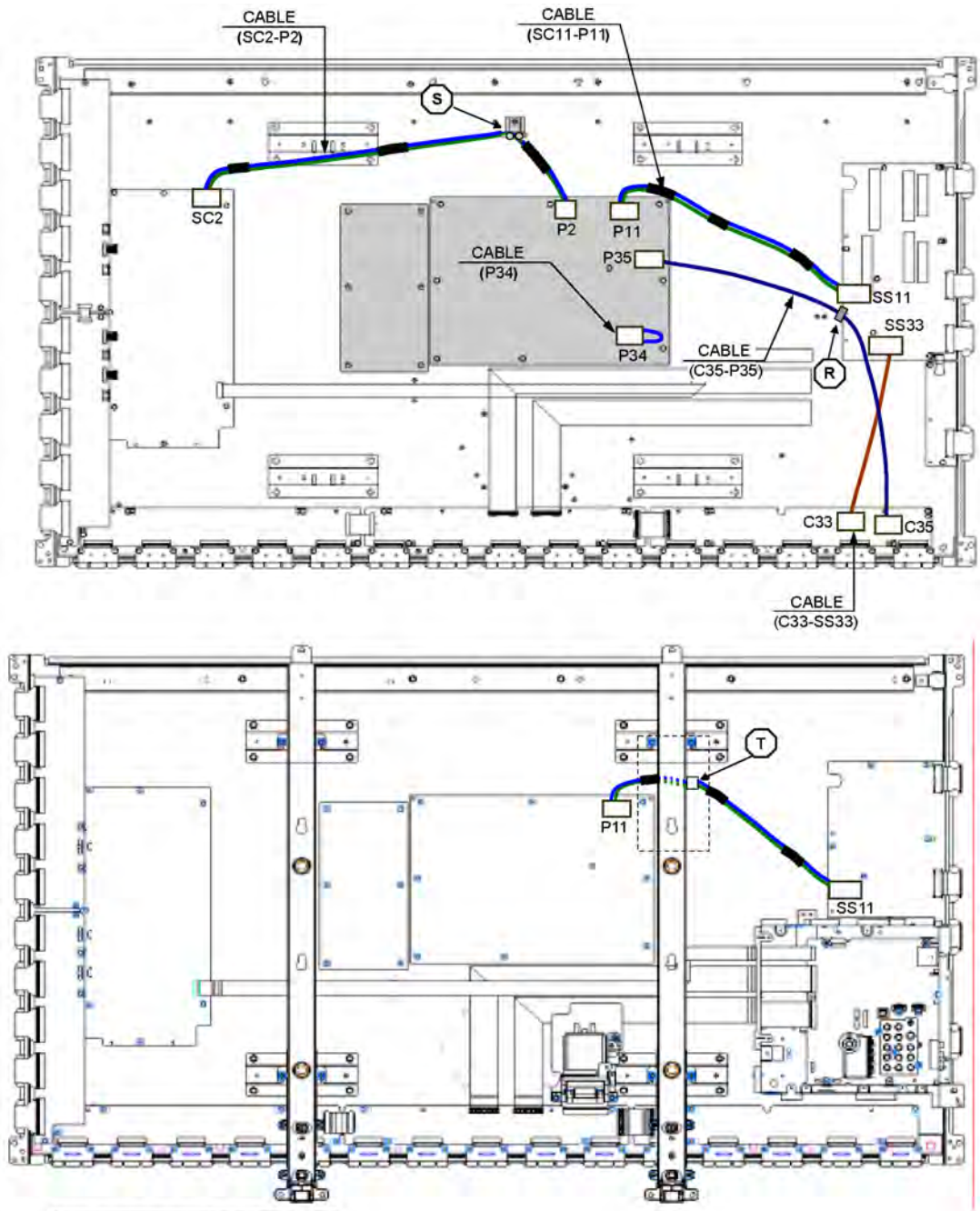
CABLES	D	E
A11 - SP R	●	●
A12 - SP L	●	●
A1 - K1	●	●

### 10.4. Wiring (3)



CABLE	CLAMPERS									
	G	H	I	J	K	L	M	N	O	P
A1 - K1							●	●	●	
A11 - SP R	●	●	●	●	●	●	●	●	●	●

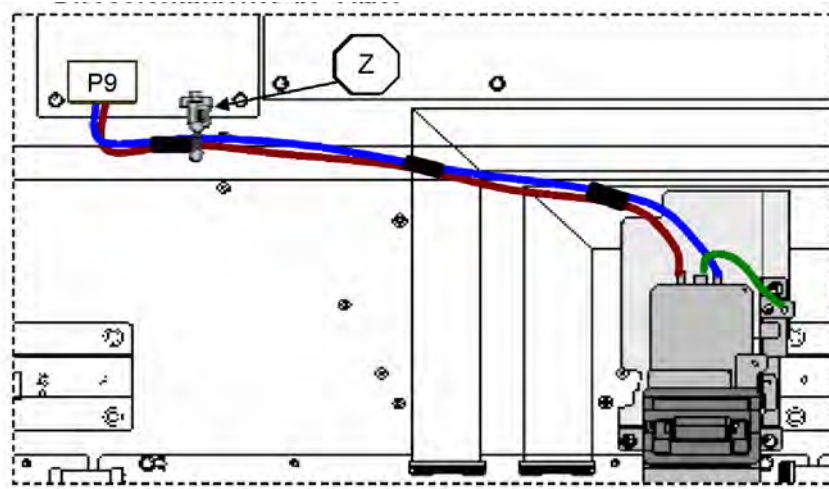
## 10.5. Wiring (4)





CABLES	R	S	T
SC2 - P2		●	
P11 - SS11			●
P35 - C35	●		
C33 - SS33			



## 10.6. Wiring (5)




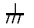

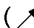
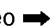

CABLE	
AC - P9	



# 11 Schematic Diagram

## 11.1. Schematic Diagram Note

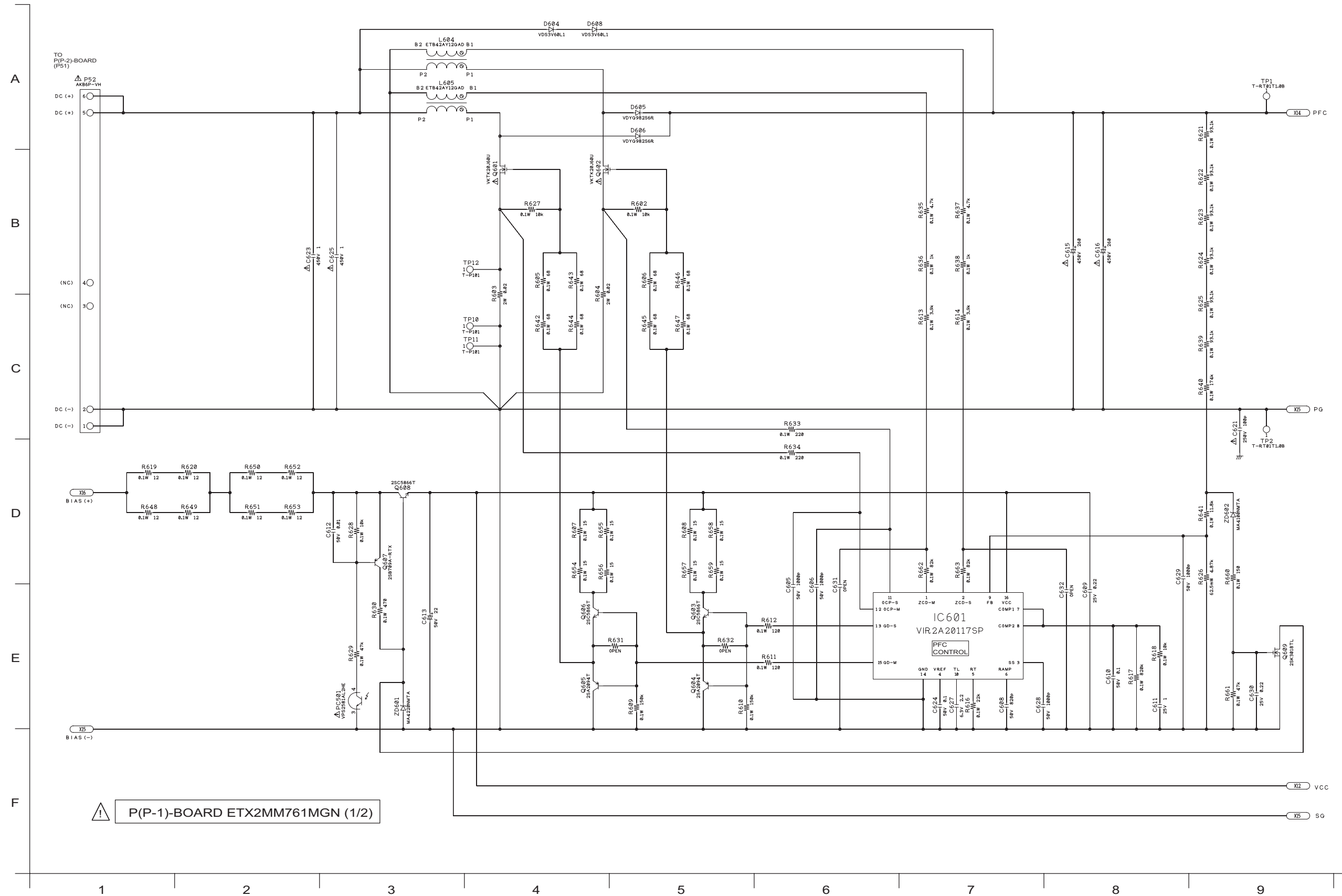
### Notes:

1. **Resistor**  
Unit of resistance is OHM [ $\Omega$ ] (K=1,000, M=1,000,000).
2. **Capacitor**  
Unit of capacitance is  $\mu$ F, unless otherwise noted.
3. **Coil**  
Unit of inductance is H, unless otherwise noted.
4. **Test Point**  
 : Test Point position
5. **Earth Symbol**  
 : Chassis Earth (Cold)       : Line Earth (Hot)
6. **Voltage Measurement**  
Voltage is measured by a DC voltmeter.  
Conditions of the measurement are the following:  
Power Source ..... AC120V, 60Hz  
Receiving Signal ..... Colour Bar signal (RF)  
All customer's controls ..... Maximum positions
7. When arrow mark () is found, connection is easily found from the direction of arrow.
8. Indicates the major signal flow.      : Video       Audio 
9. This schematic diagram is the latest at the time of printing and subject to change without notice.

### Remarks:

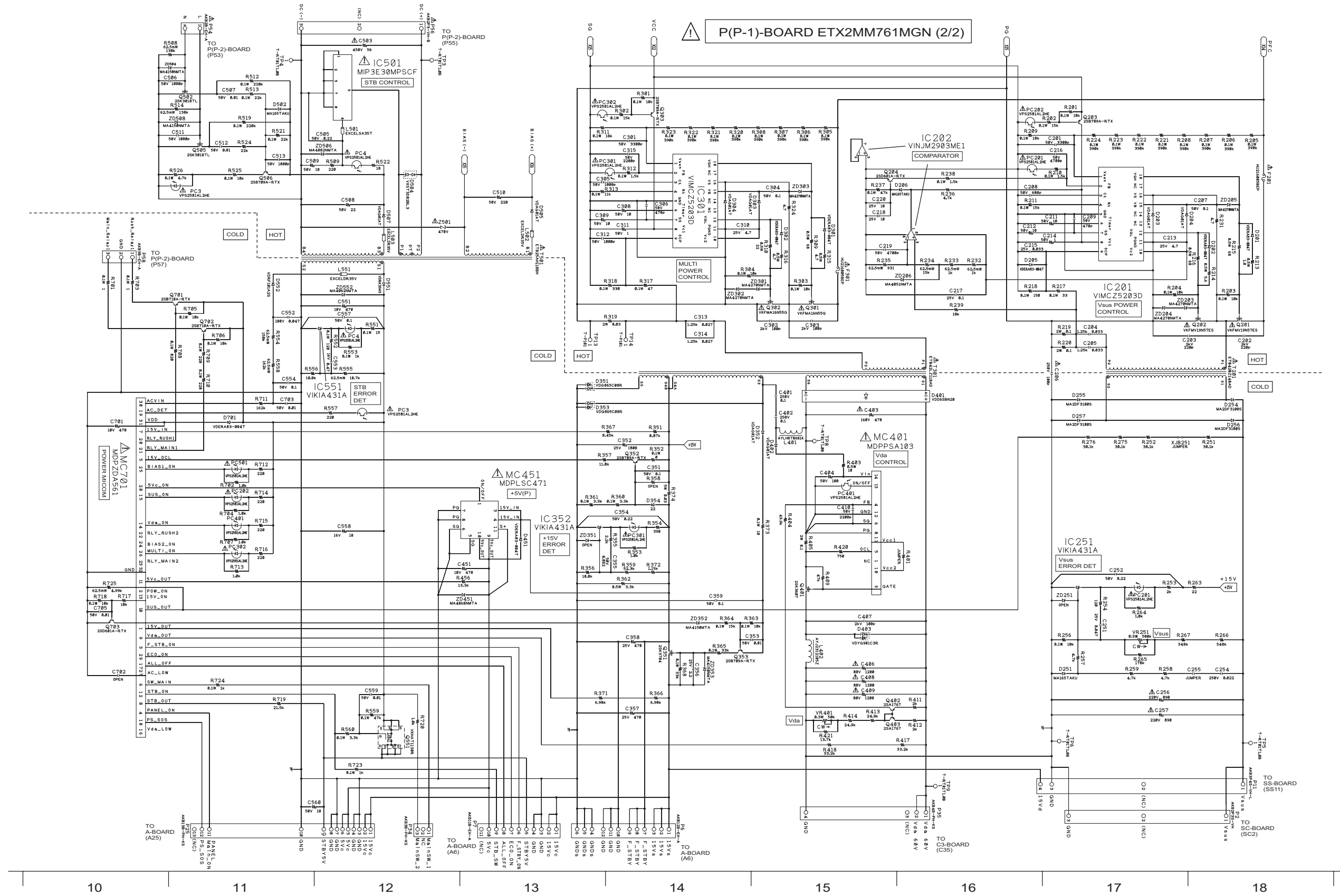
1. The Power Circuit contains a circuit area which uses a separate power supply to isolate the earth connection.  
The circuit is defined by HOT and COLD indications in the schematic diagram. Take the following precautions.  
All circuits, except the Power Circuit, are cold.  
Precautions
  - a. Do not touch the hot part or the hot and cold parts at the same time or you may be shocked.
  - b. Do not short-circuit the hot and cold circuits or a fuse may blow and parts may break.
  - c. Do not connect an instrument, such as an oscilloscope, to the hot and cold circuits simultaneously or a fuse may blow.  
Connect the earth of instruments to the earth connection of the circuit being measured.
  - d. Make sure to disconnect the power plug before removing the chassis.

# 11.2. P(P-1)-Board (1/2) Schematic Diagram

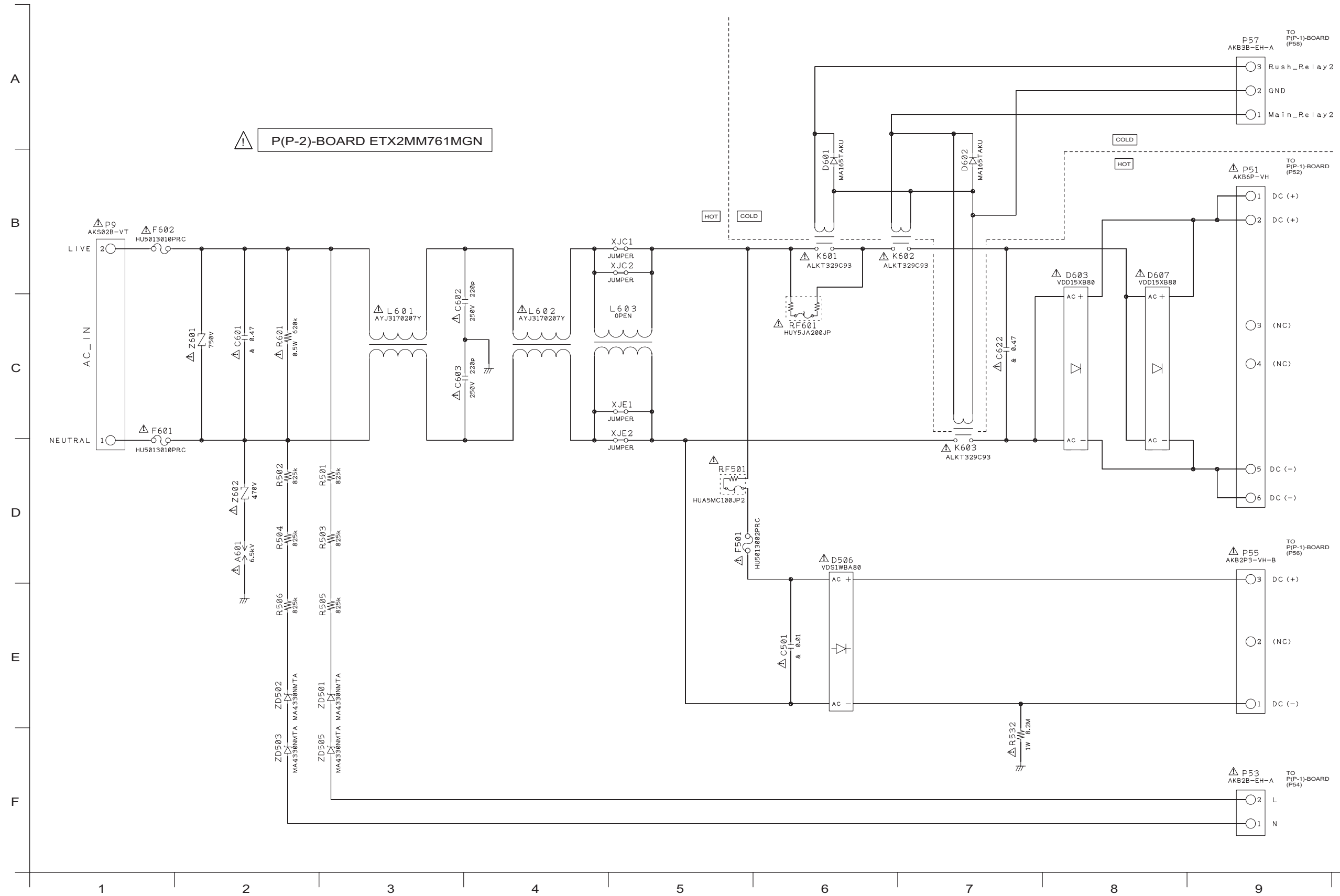




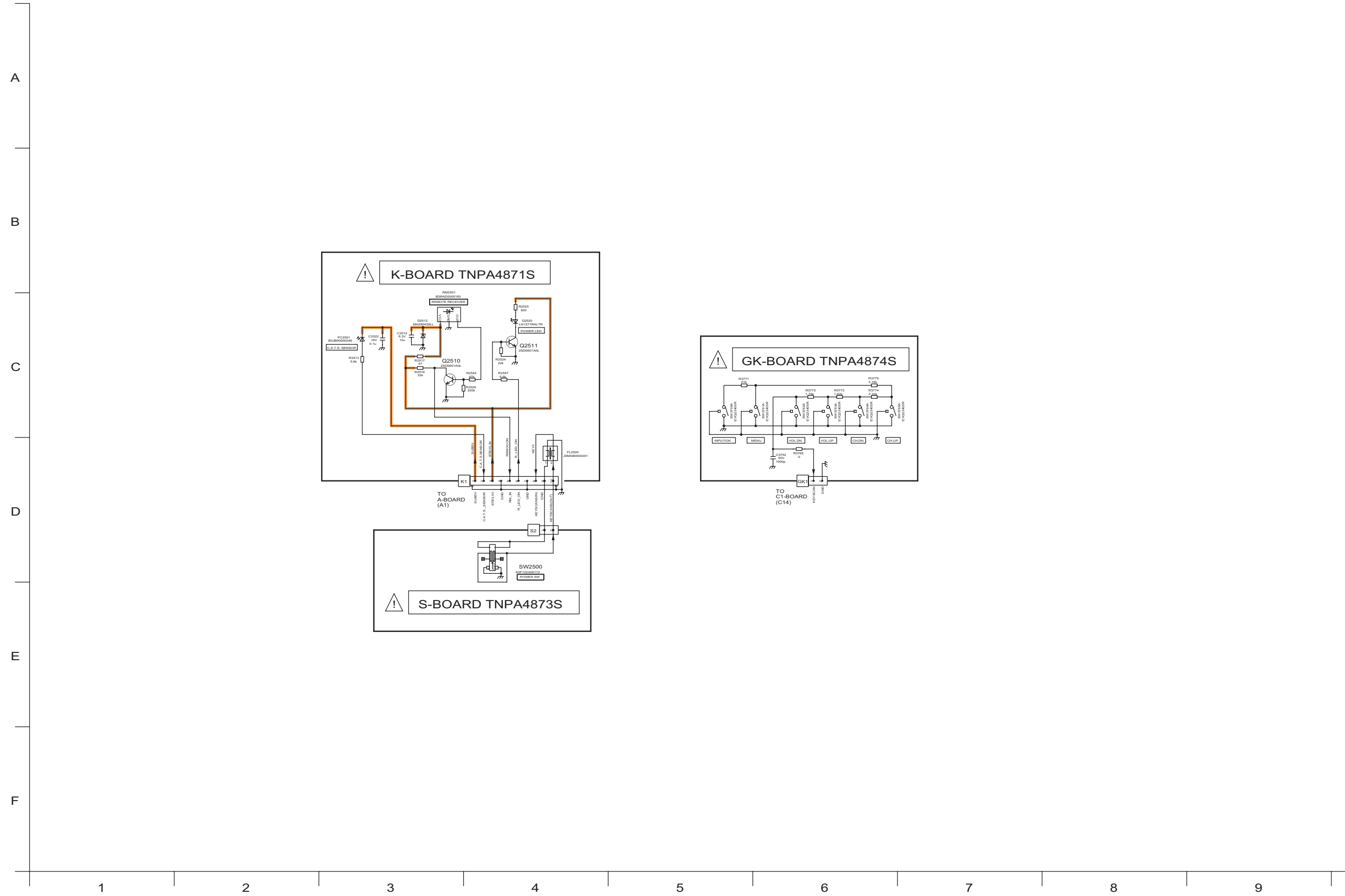
### 11.3. P(P-1)-Board (2/2) Schematic Diagram



### 11.4. P(P-2)-Board Schematic Diagram



### 11.5. GK, K and S-Board Schematic Diagram



# 11.6. A-Board (1/22) Schematic Diagram

A-BOARD TXNA1DVUUS (1/22) Peaks-AVC,DDR

A

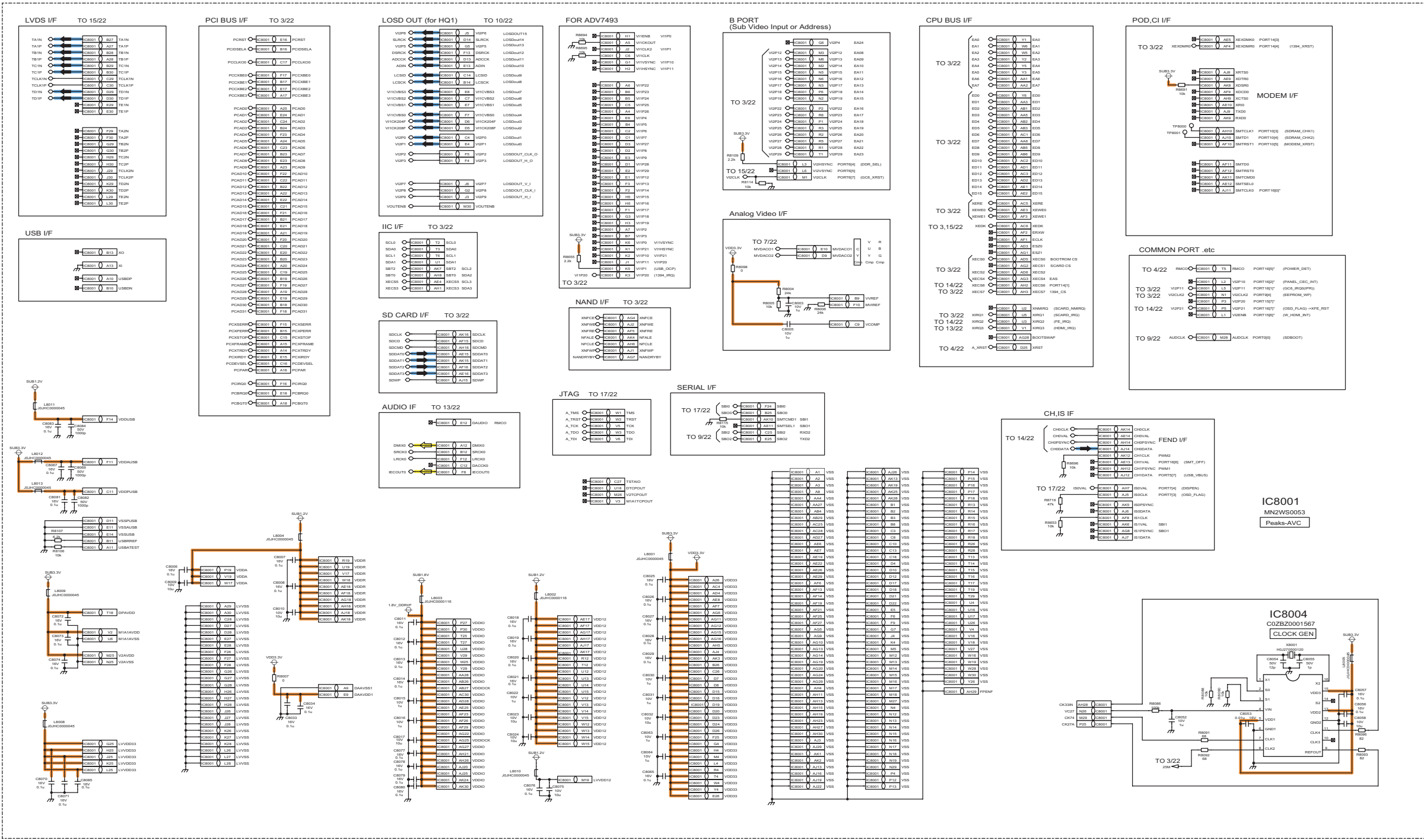
B

C

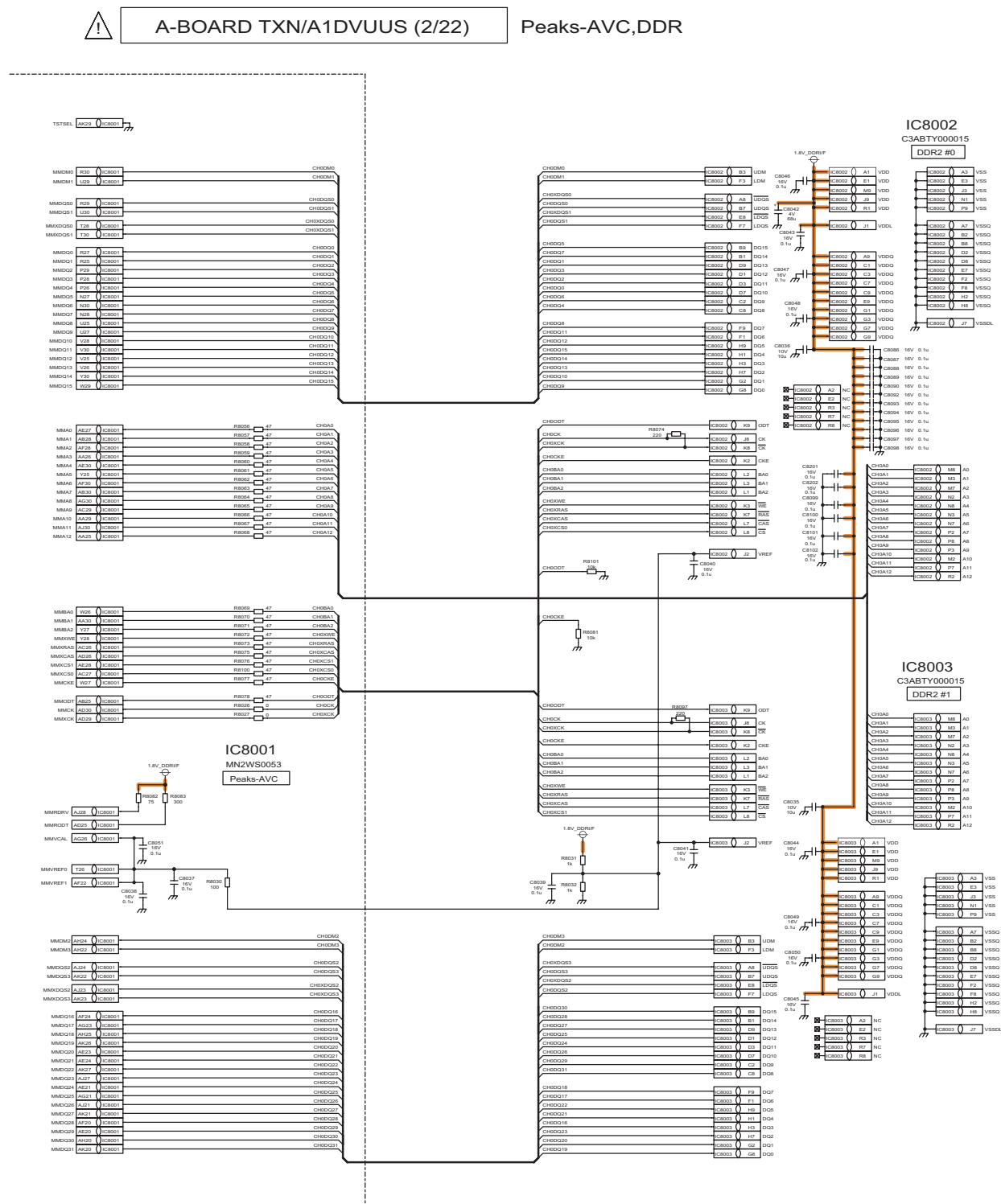
D

E

F



### 11.7. A-Board (2/22) Schematic Diagram



10

11

12

13

14

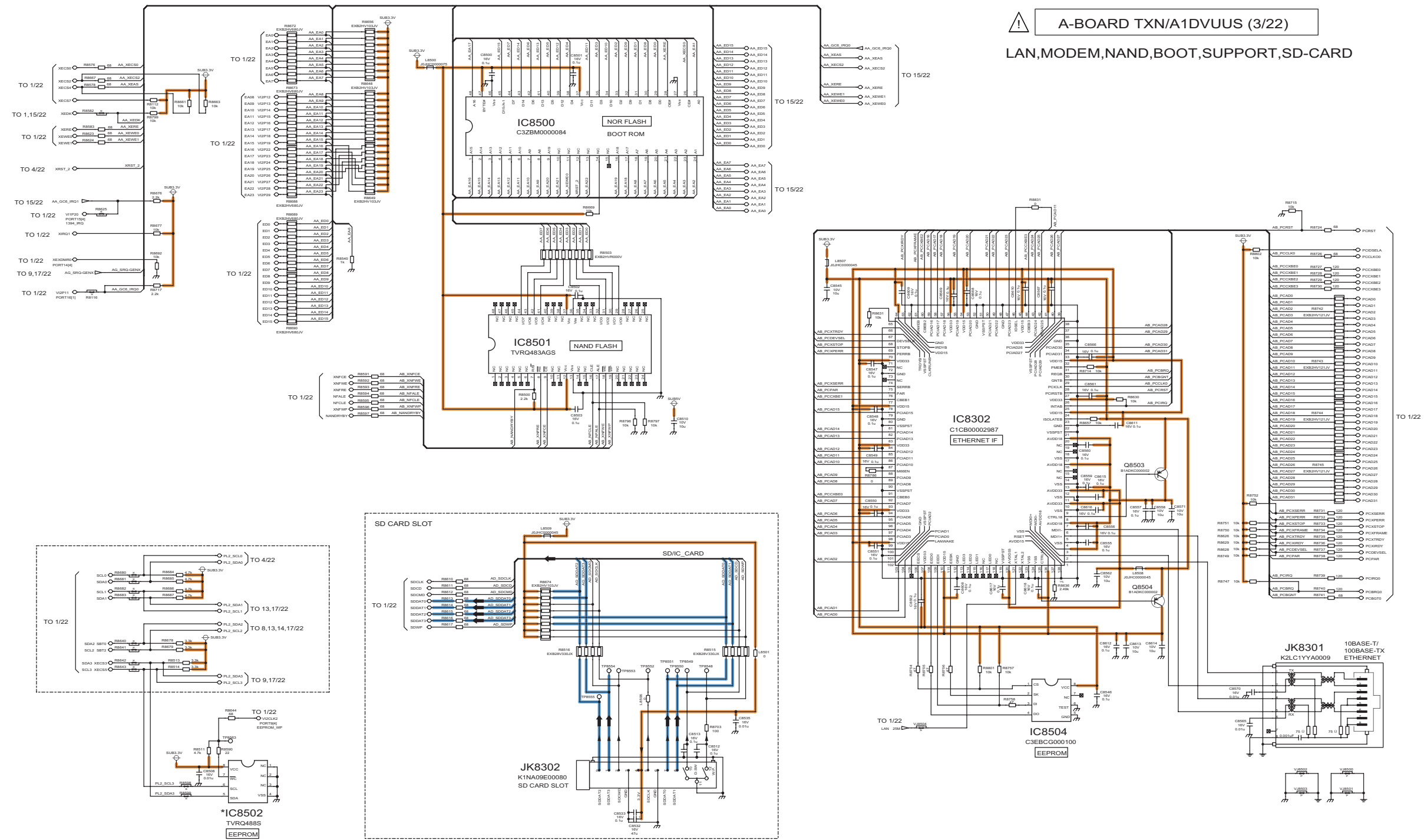
15

16

17

18

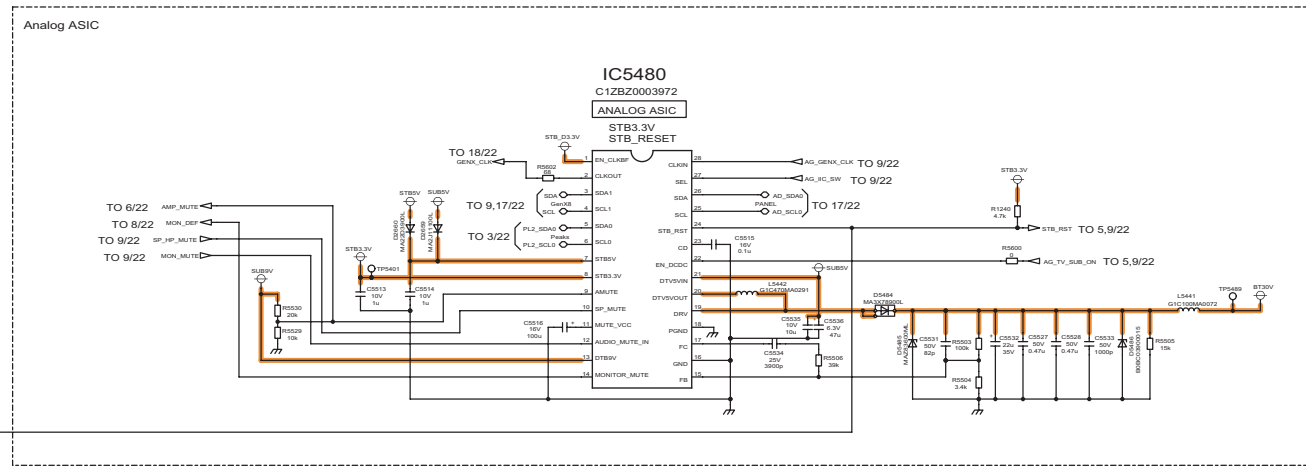
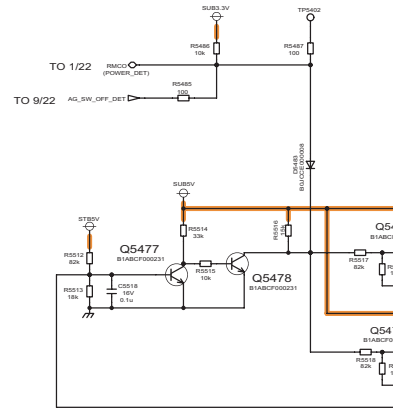
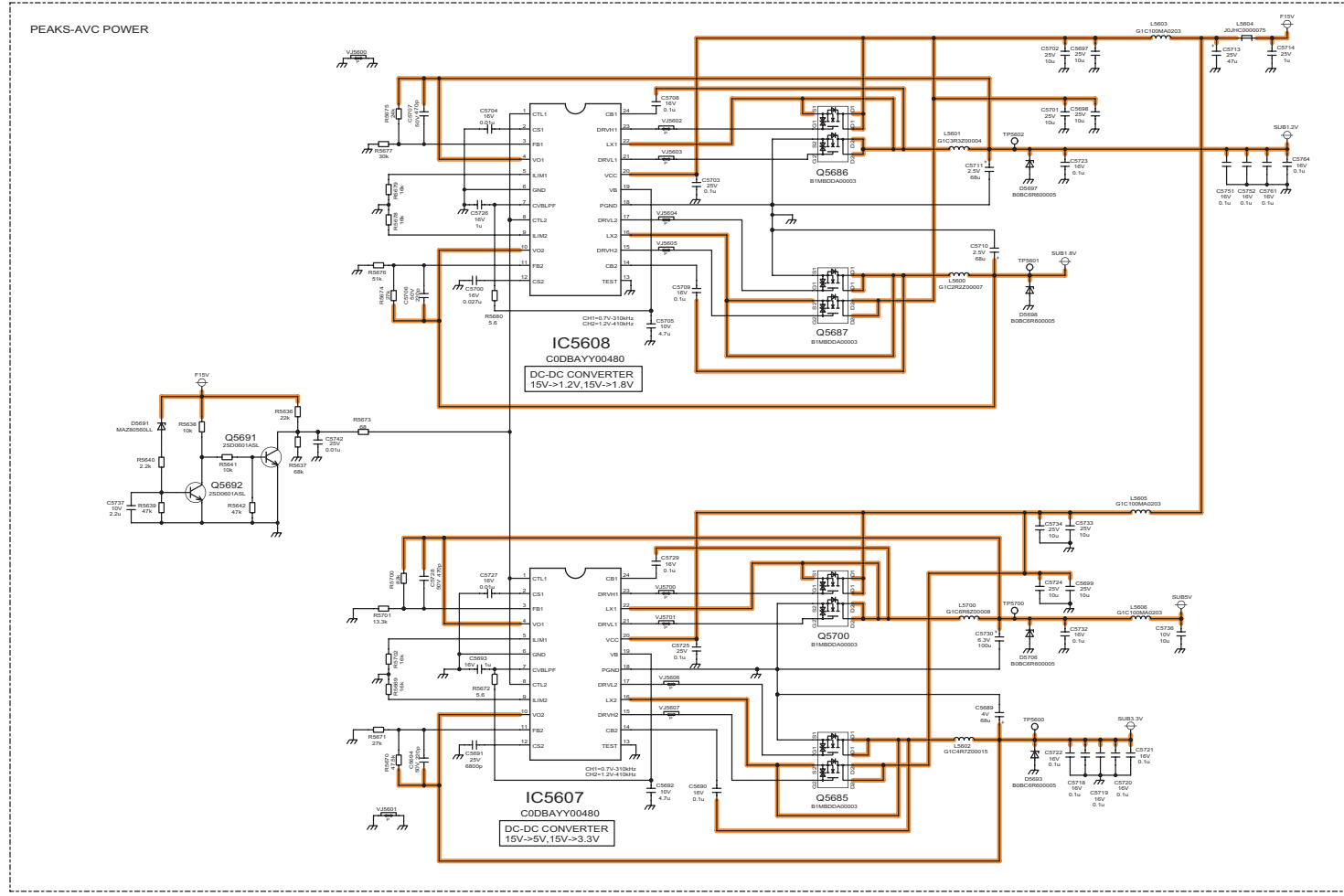
# 11.8. A-Board (3/22) Schematic Diagram



# 11.9. A-Board (4/22) Schematic Diagram

## A-BOARD TXNA1DVUUS (4/22)

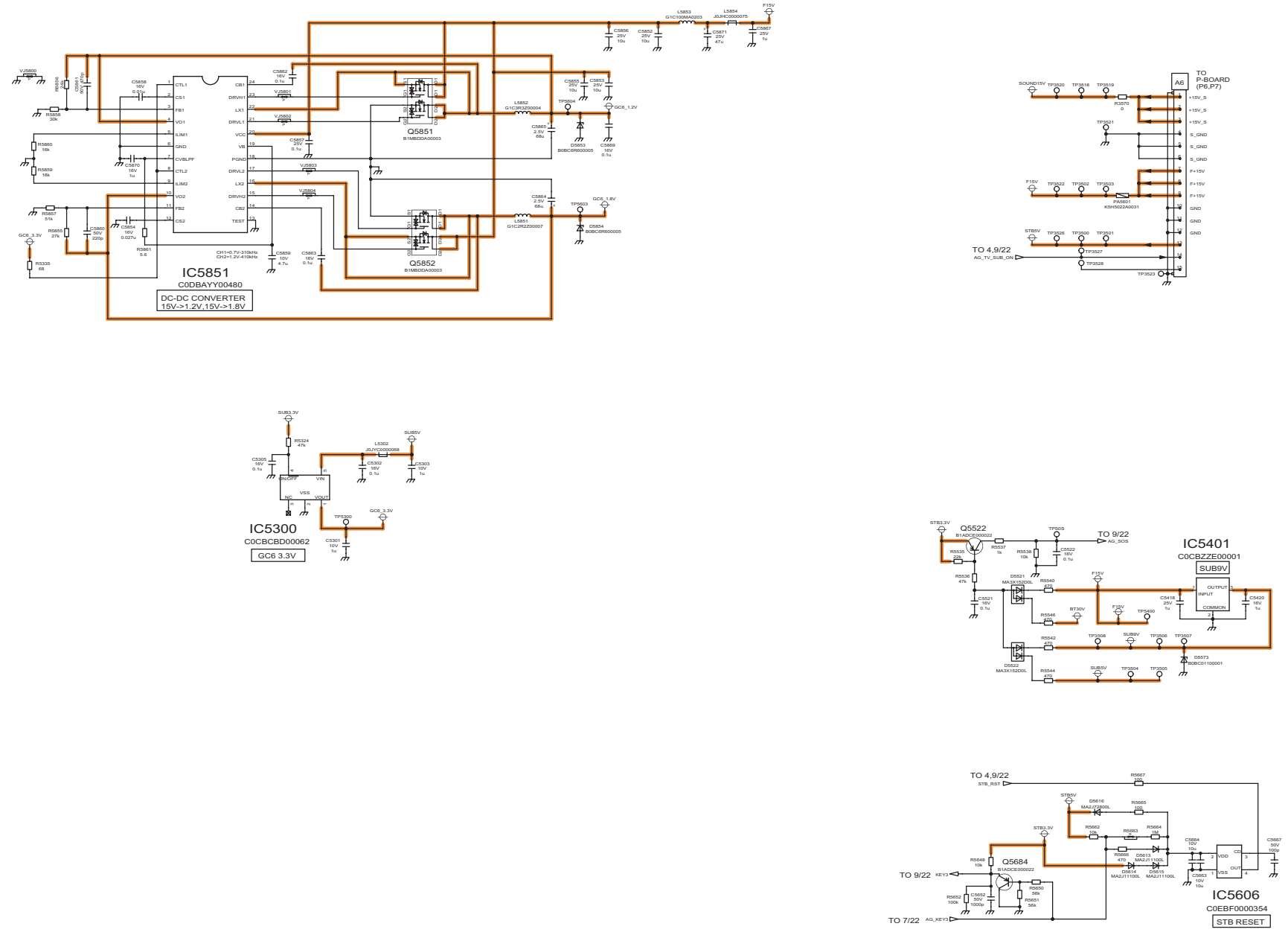
### POWER SUPPLY





### 11.10. A-Board (5/22) Schematic Diagram

⚠ A-BOARD TXN/A1DVUUS (5/22) POWER SUPPLY



37

38

39

40

41

42

43

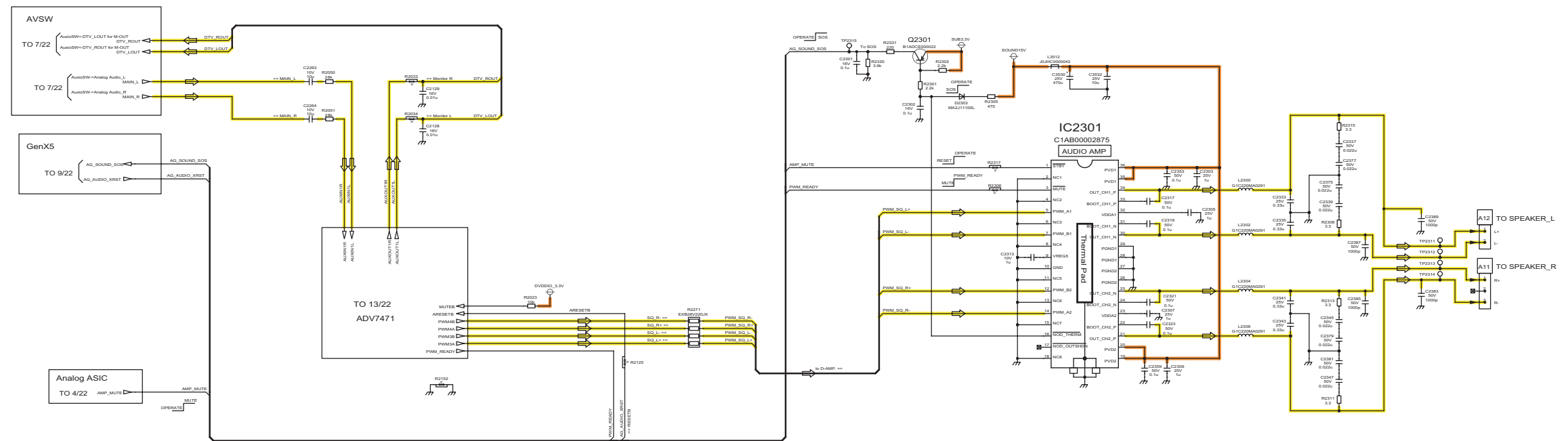
44

45



# 11.11. A-Board (6/22) Schematic Diagram

## A-BOARD TXN/A1DVUUS (6/22) POWER AMP



46

47

48

49

50

51

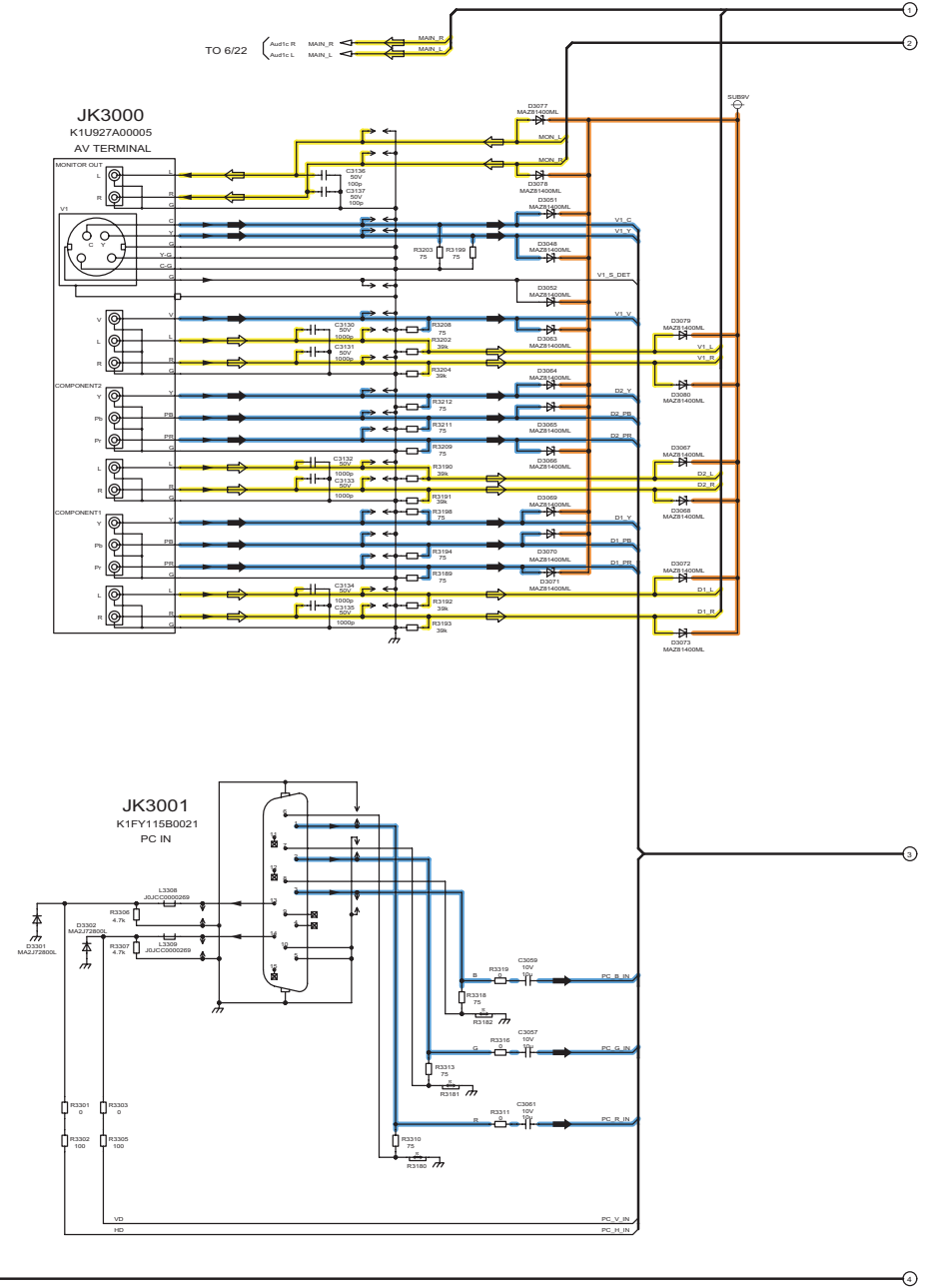
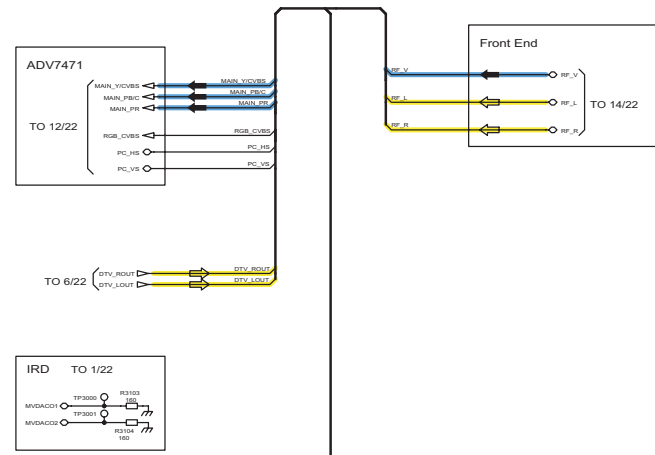
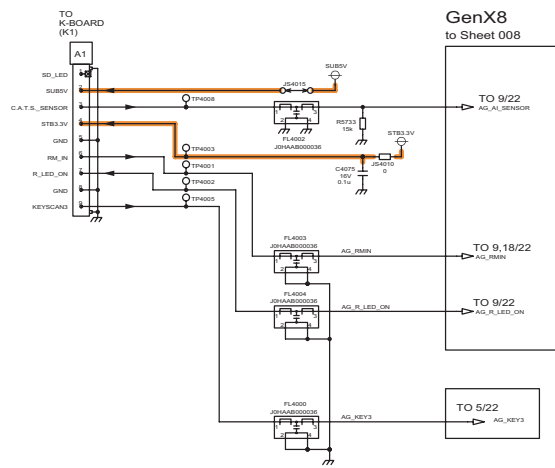
52

53

54

# 11.12. A-Board (7/22) Schematic Diagram

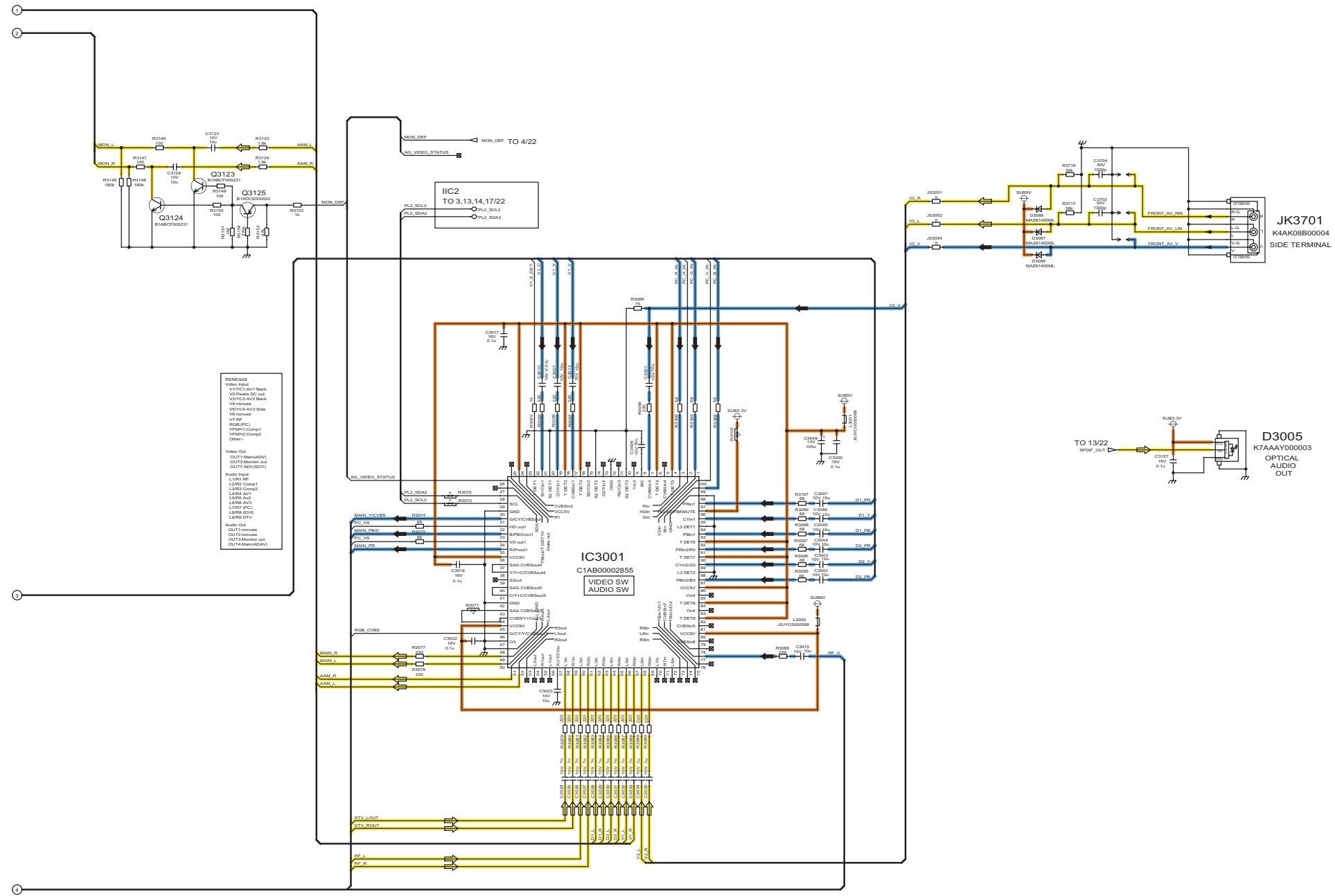
⚠ A-BOARD TXNA1DVUUS (7/22) CONNECTOR,AVSW



55 56 57 58 59 60 61 62 63

# 11.13. A-Board (8/22) Schematic Diagram

A-BOARD TXN/A1DVUUS (8/22) CONNECTOR,AVSW



64

65

66

67

68

69

70

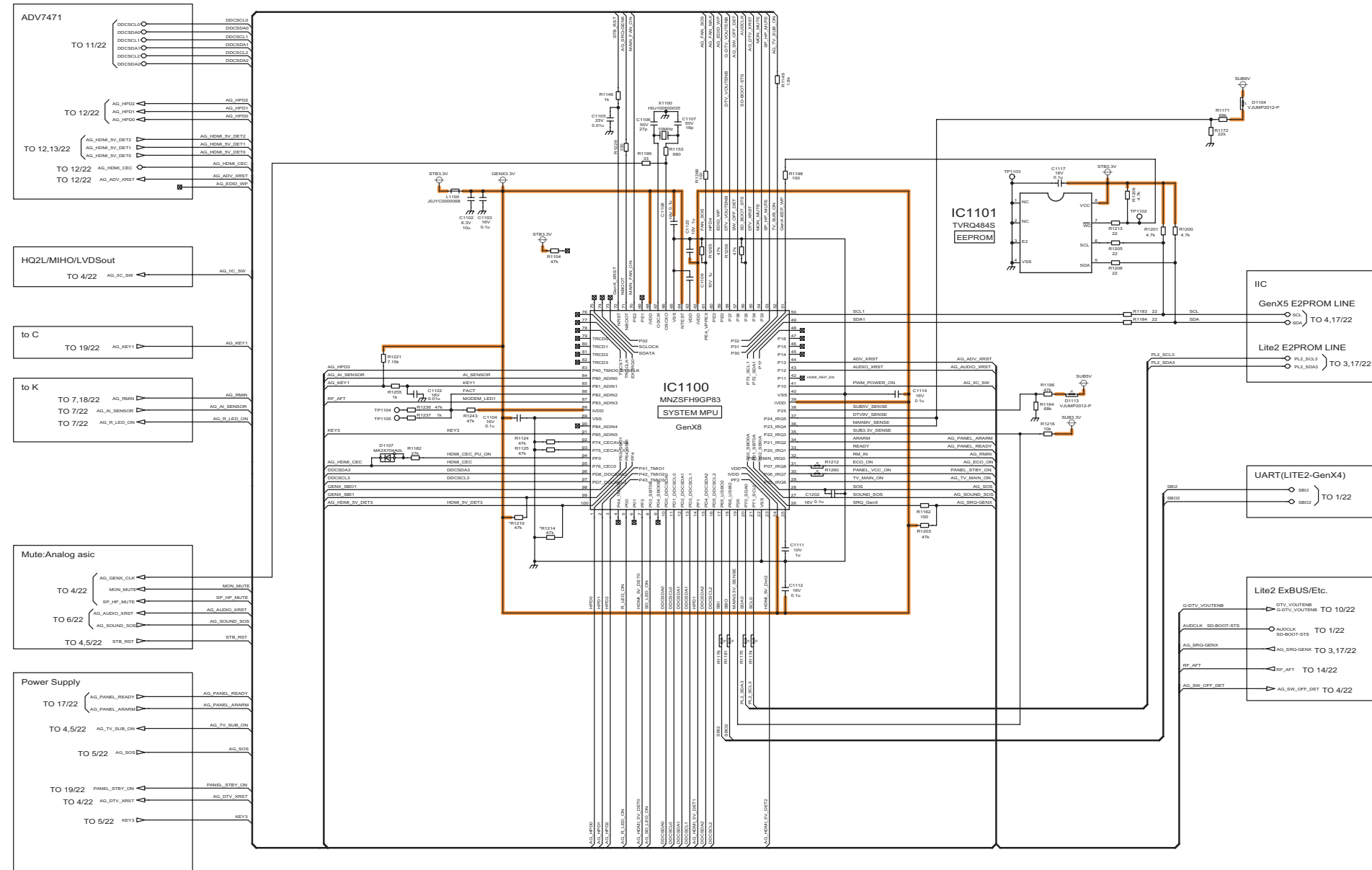
71

72

# 11.14. A-Board (9/22) Schematic Diagram

**A-BOARD TXN/A1DVUUS (9/22)**

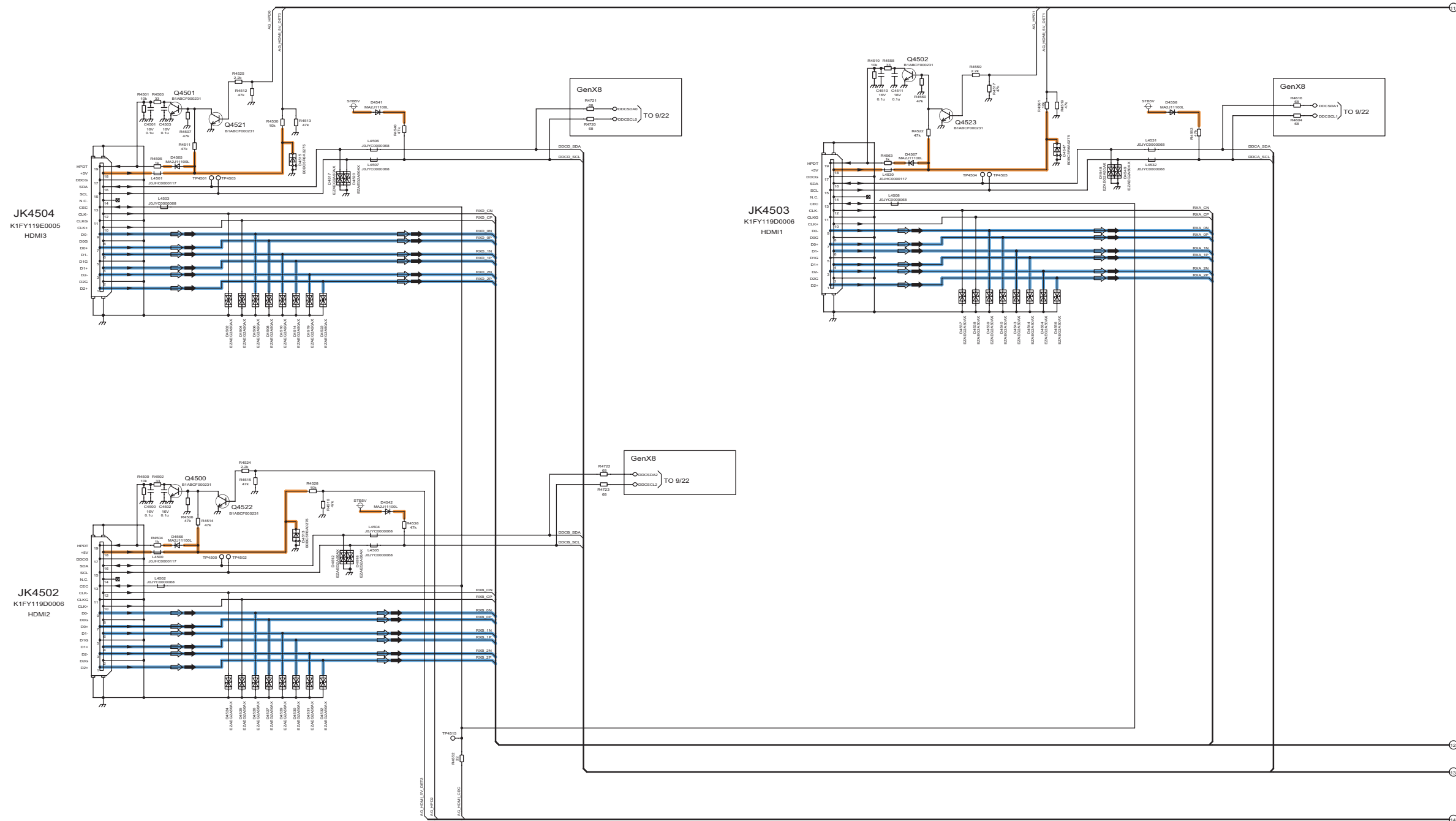
GenX8,EEPROM





# 11.16. A-Board (11/22) Schematic Diagram

A-BOARD TXN/A1DVUUS (11/22) HDMI



91

92

93

94

95

96

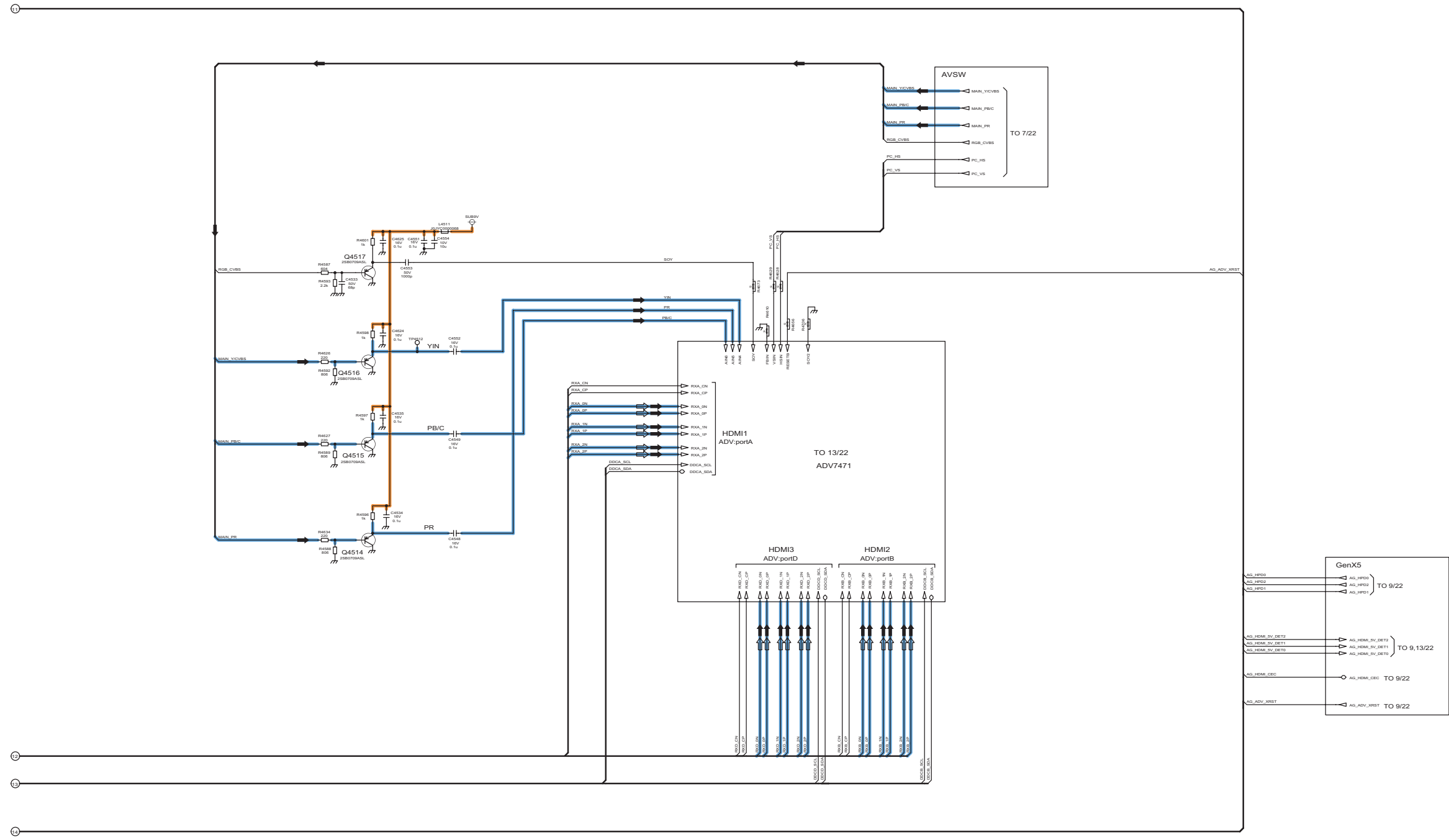
97

98

99

# 11.17. A-Board (12/22) Schematic Diagram

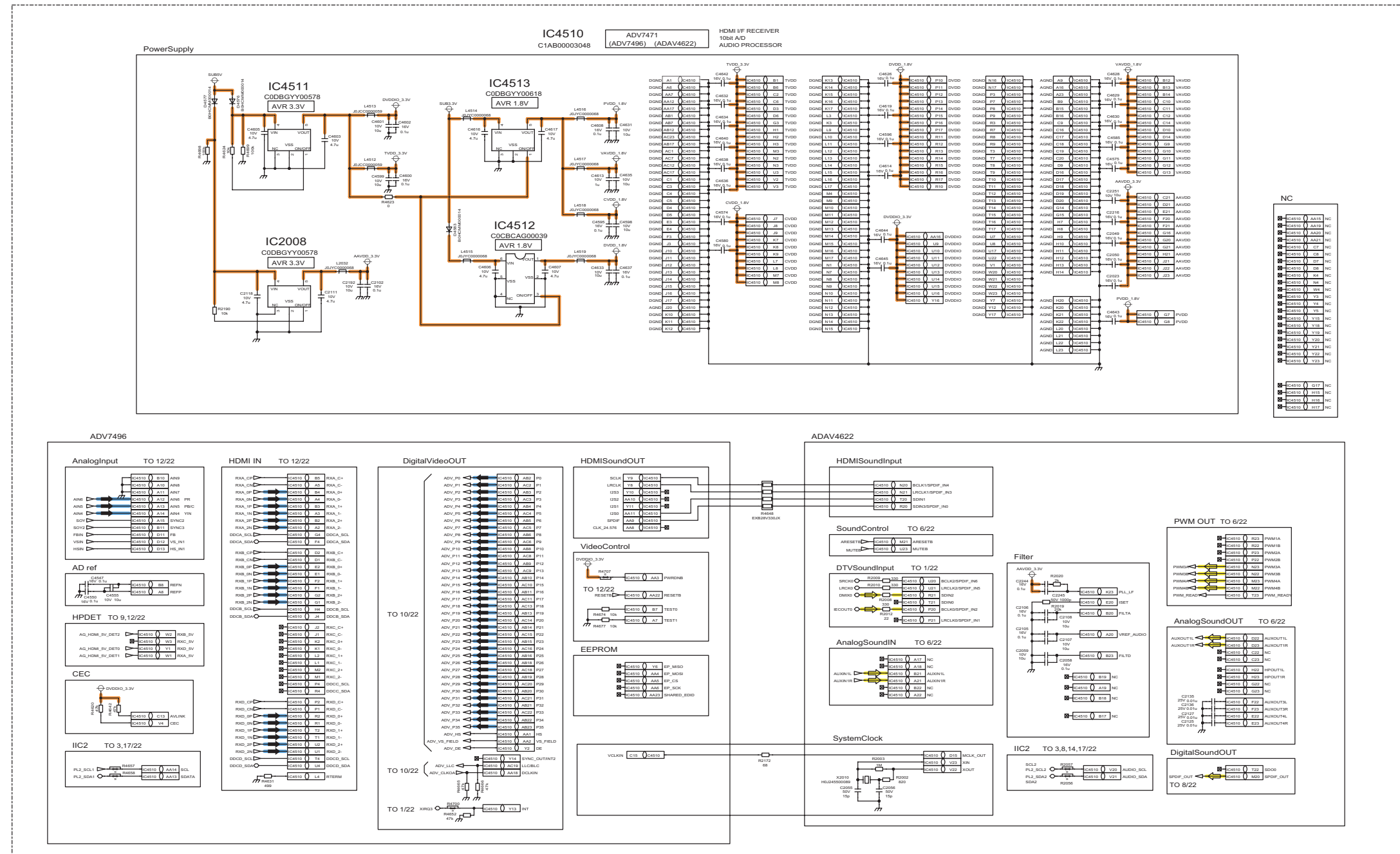
⚠ A-BOARD TXN/A1DVUUS (12/22) HDMI



100 101 102 103 104 105 106 107 108

# 11.18. A-Board (13/22) Schematic Diagram

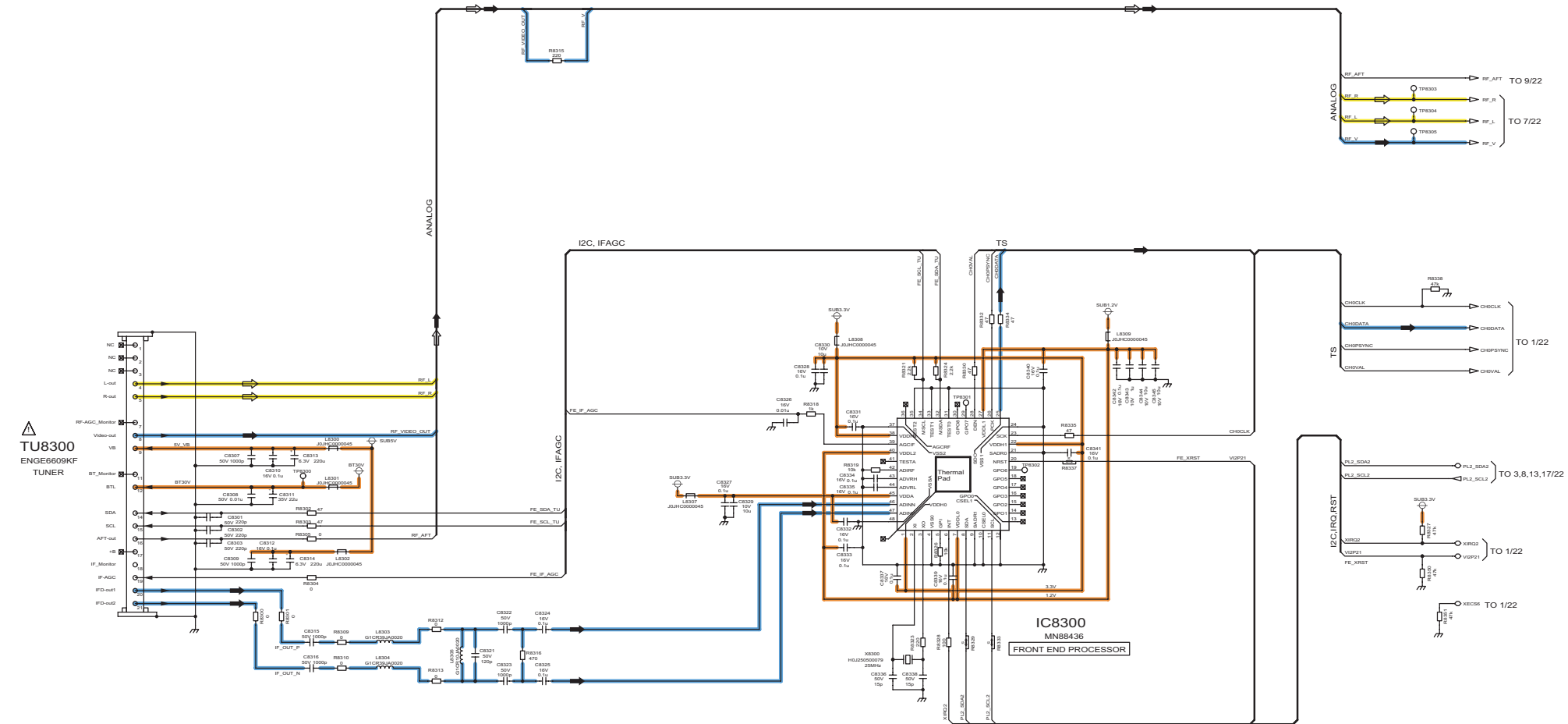
⚠ A-BOARD TXN/A1DVUUS (13/22) ADV7471





# 11.19. A-Board (14/22) Schematic Diagram

A-BOARD TXN/A1DVUUS (14/22) TUNER,FRONT END



118

119

120

121

122

123

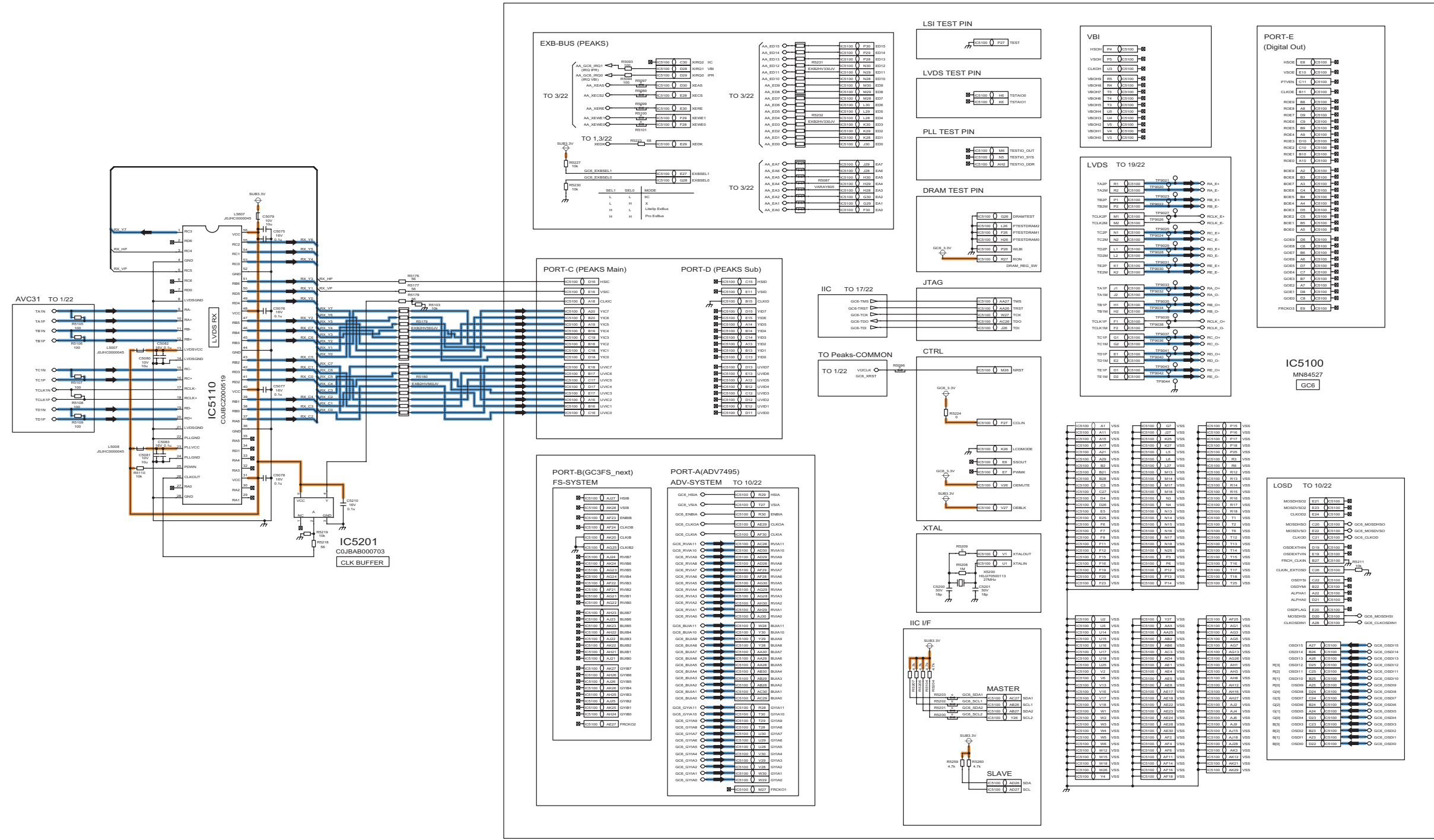
124

125

126

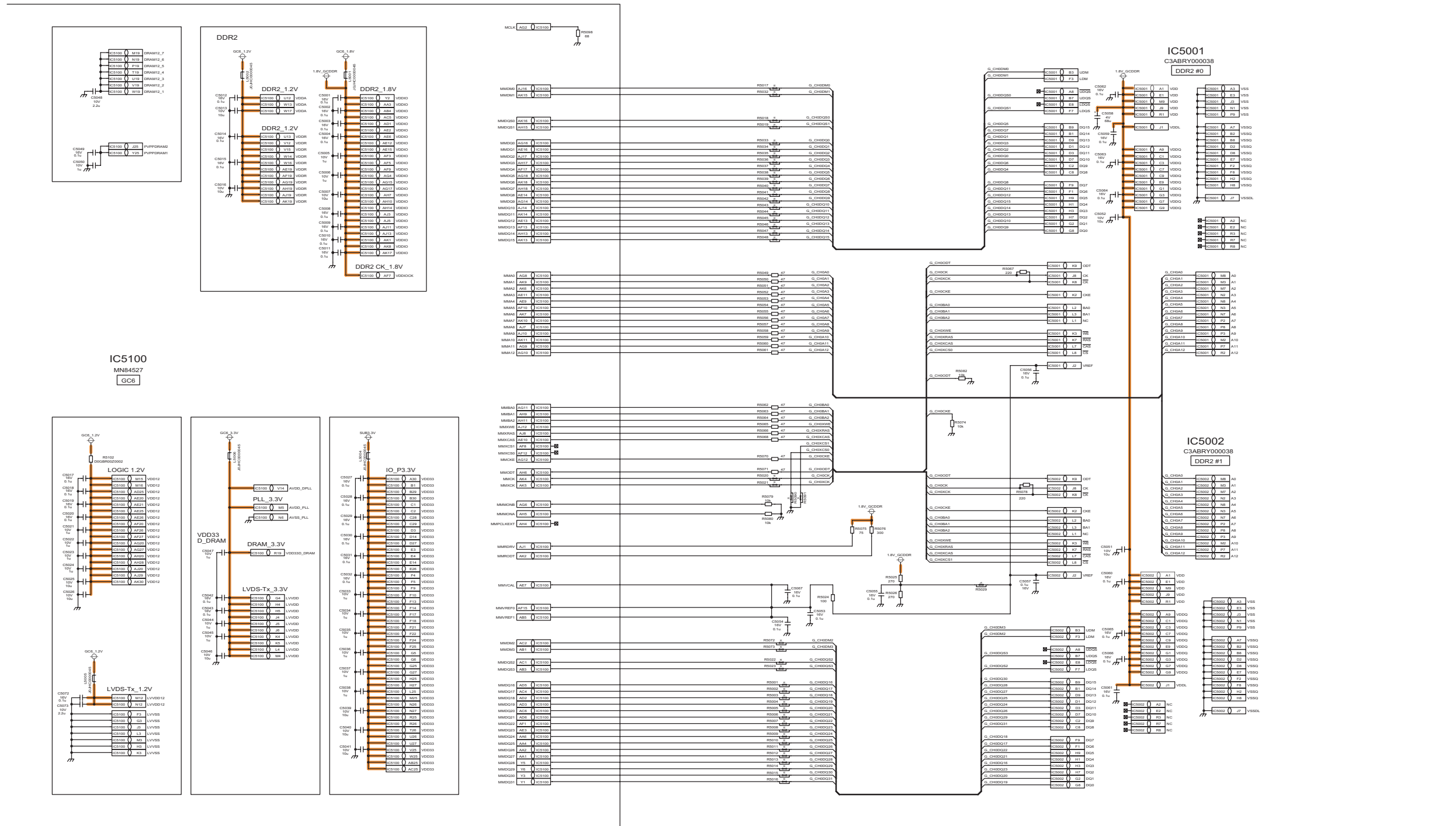
# 11.20. A-Board (15/22) Schematic Diagram

A-BOARD TXN/A1DVUUS (15/22) GC6-COMMON



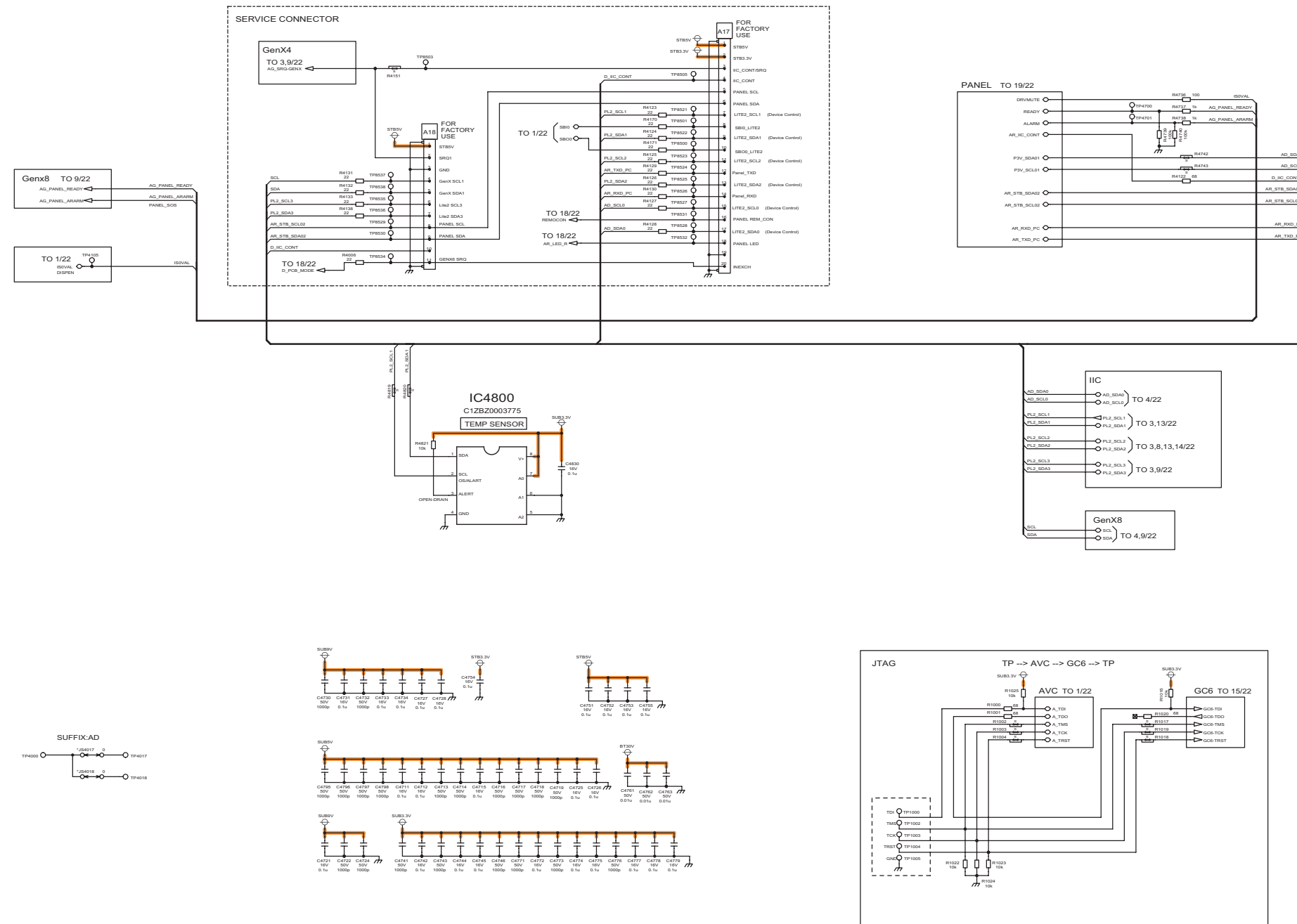
# 11.21. A-Board (16/22) Schematic Diagram

## A-BOARD TXN/A1DVUUS (16/22) GC6-COMMON



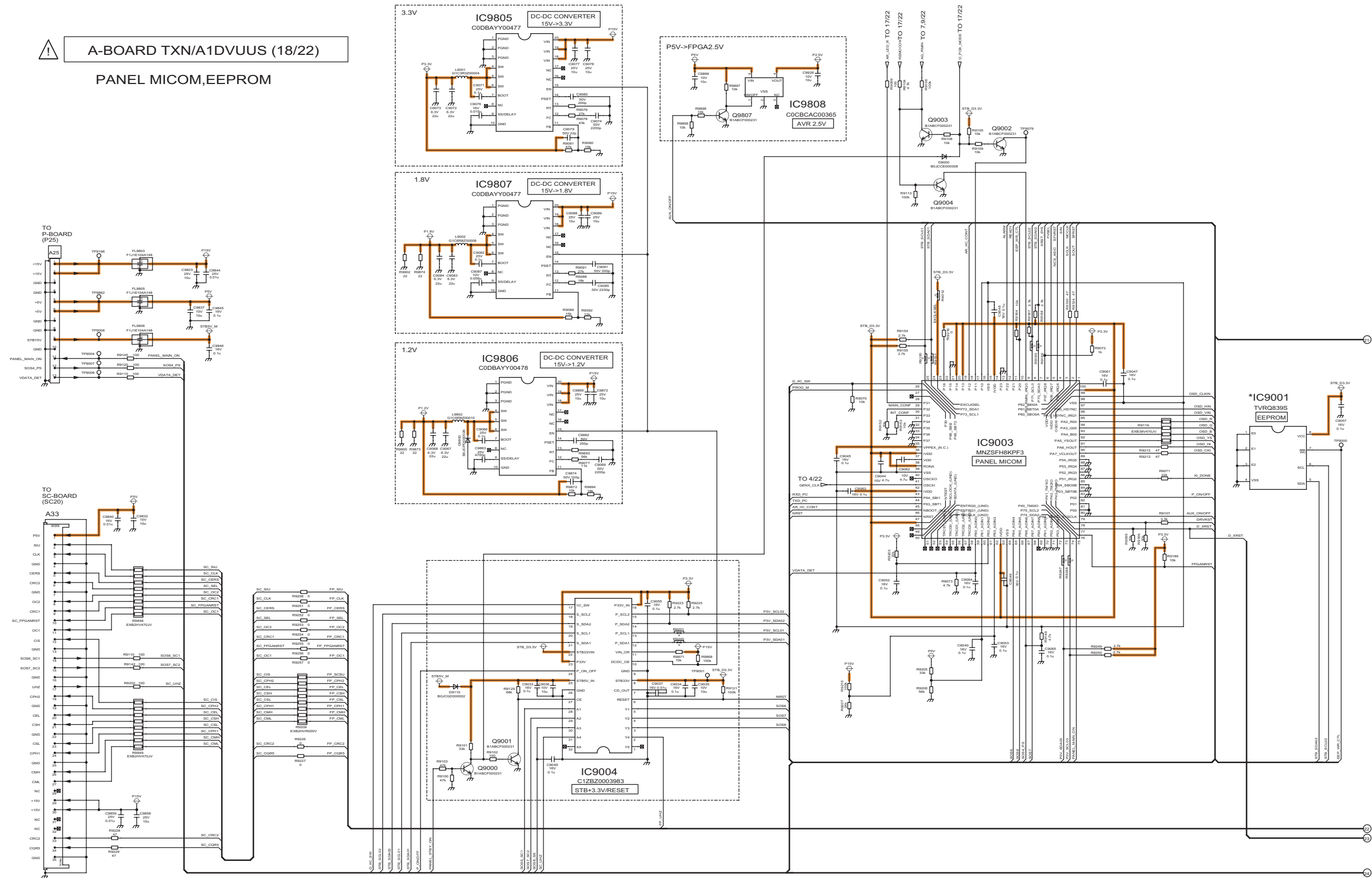
# 11.22. A-Board (17/22) Schematic Diagram

## A-BOARD TXN/A1DVUUS (17/22) CONNECTOR



# 11.23. A-Board (18/22) Schematic Diagram

**A-BOARD TXN/A1DVUUS (18/22)**  
PANEL MICOM,EEPROM



154

155

156

157

158

159

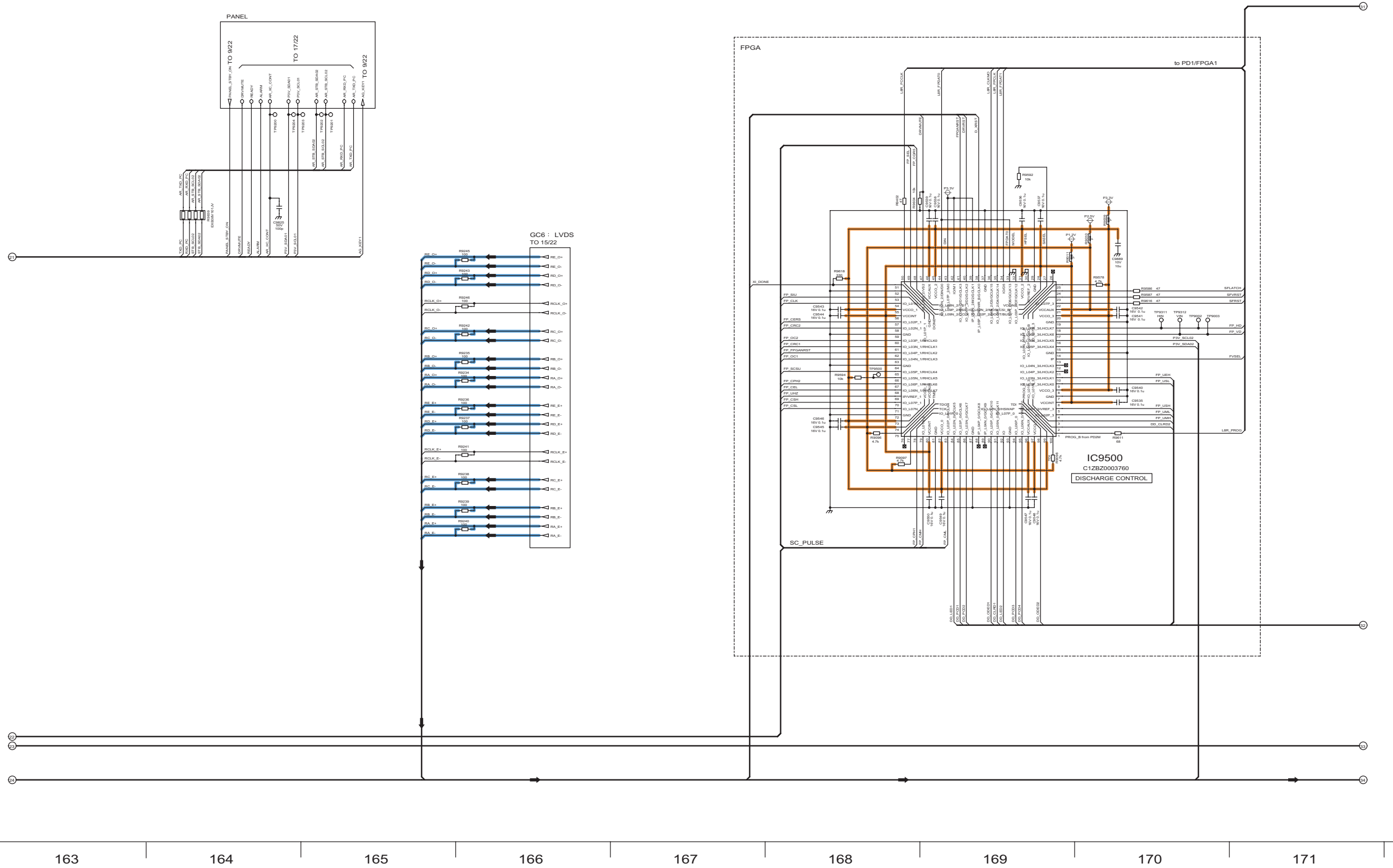
160

161

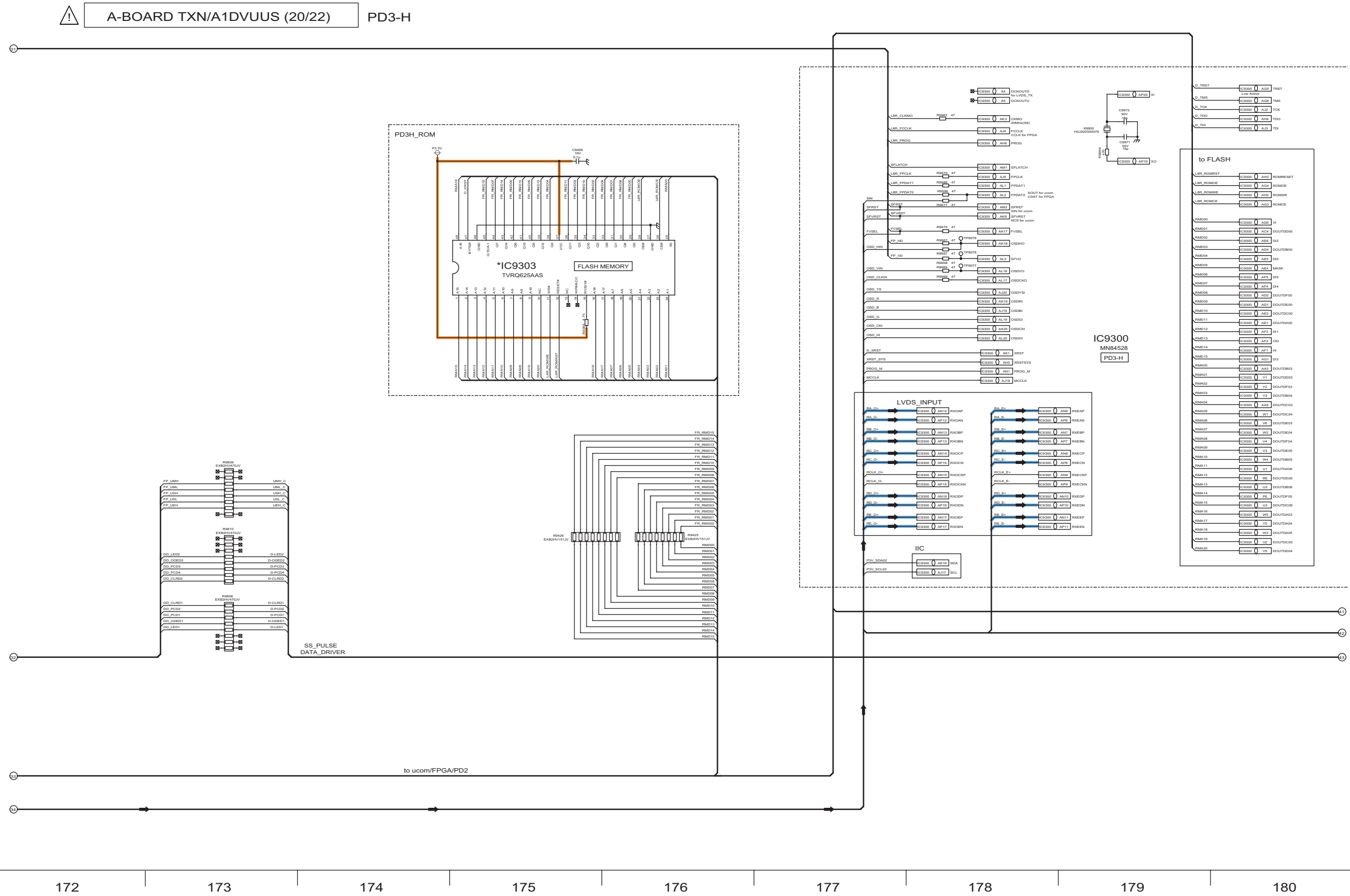
162

### 11.24. A-Board (19/22) Schematic Diagram

#### A-BOARD TXN/A1DVUUS (19/22) DISCHARGE CONTROL



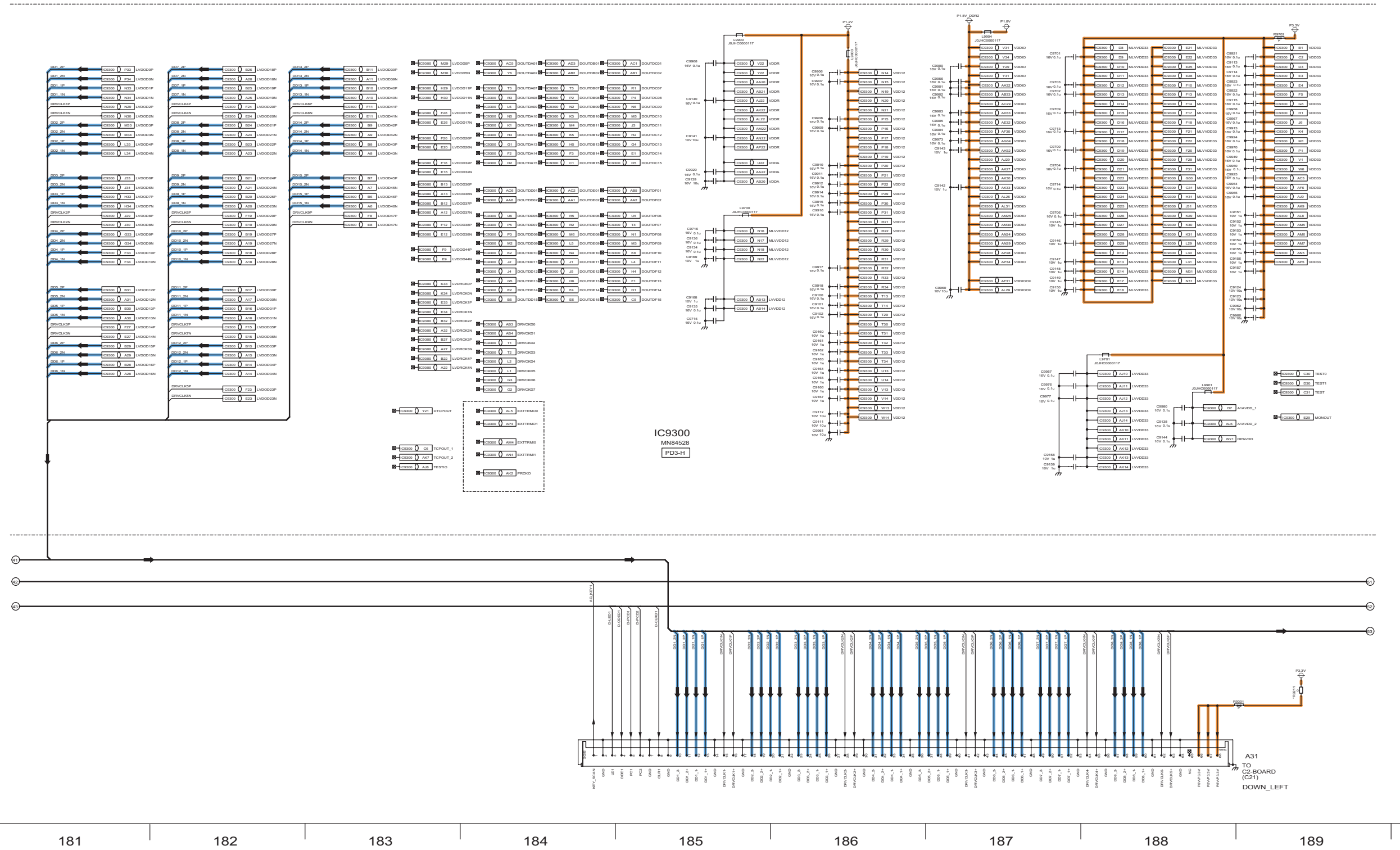
# 11.25. A-Board (20/22) Schematic Diagram





# 11.26. A-Board (21/22) Schematic Diagram

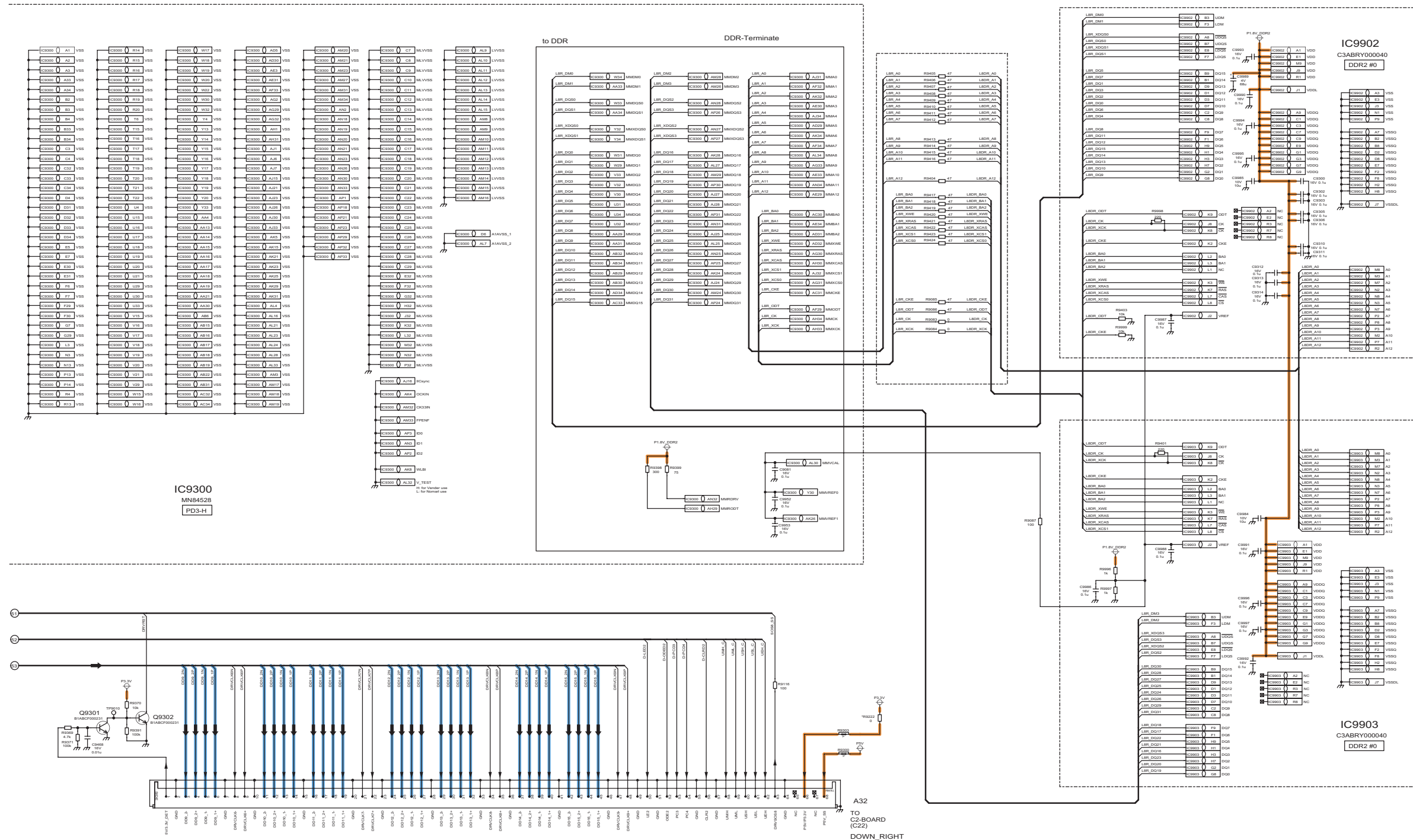
A-BOARD TXN/A1DVUUS (21/22) PD3-H





# 11.27. A-Board (22/22) Schematic Diagram

A-BOARD TXN/A1DVUUS (22/22) PD3-H



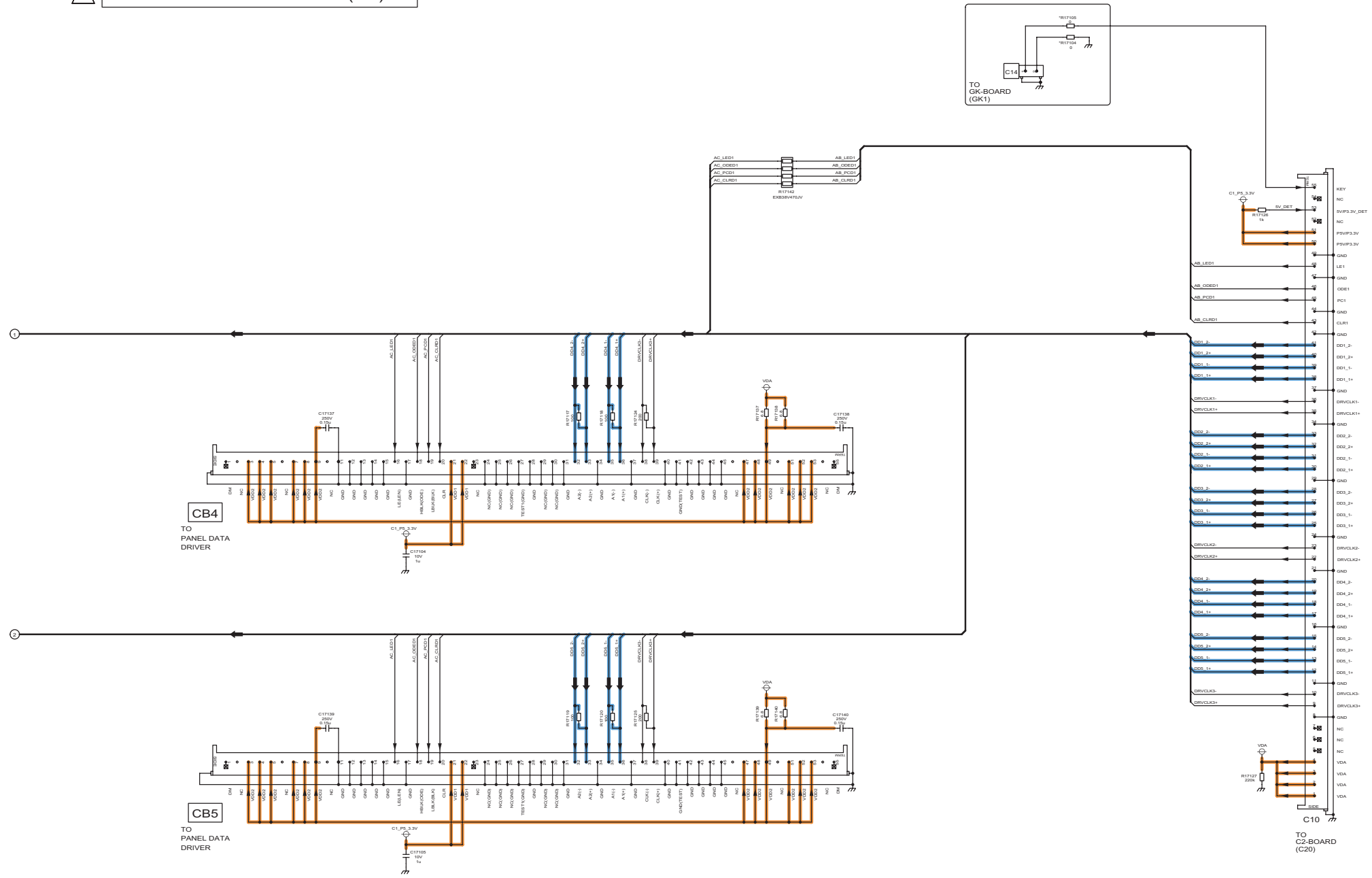
190 191 192 193 194 195 196 197 198

# 11.28. C1-Board (1/2) Schematic Diagram



# 11.29. C1-Board (2/2) Schematic Diagram

⚠ C1-BOARD TXNC11ECUU (2/2)



10

11

12

13

14

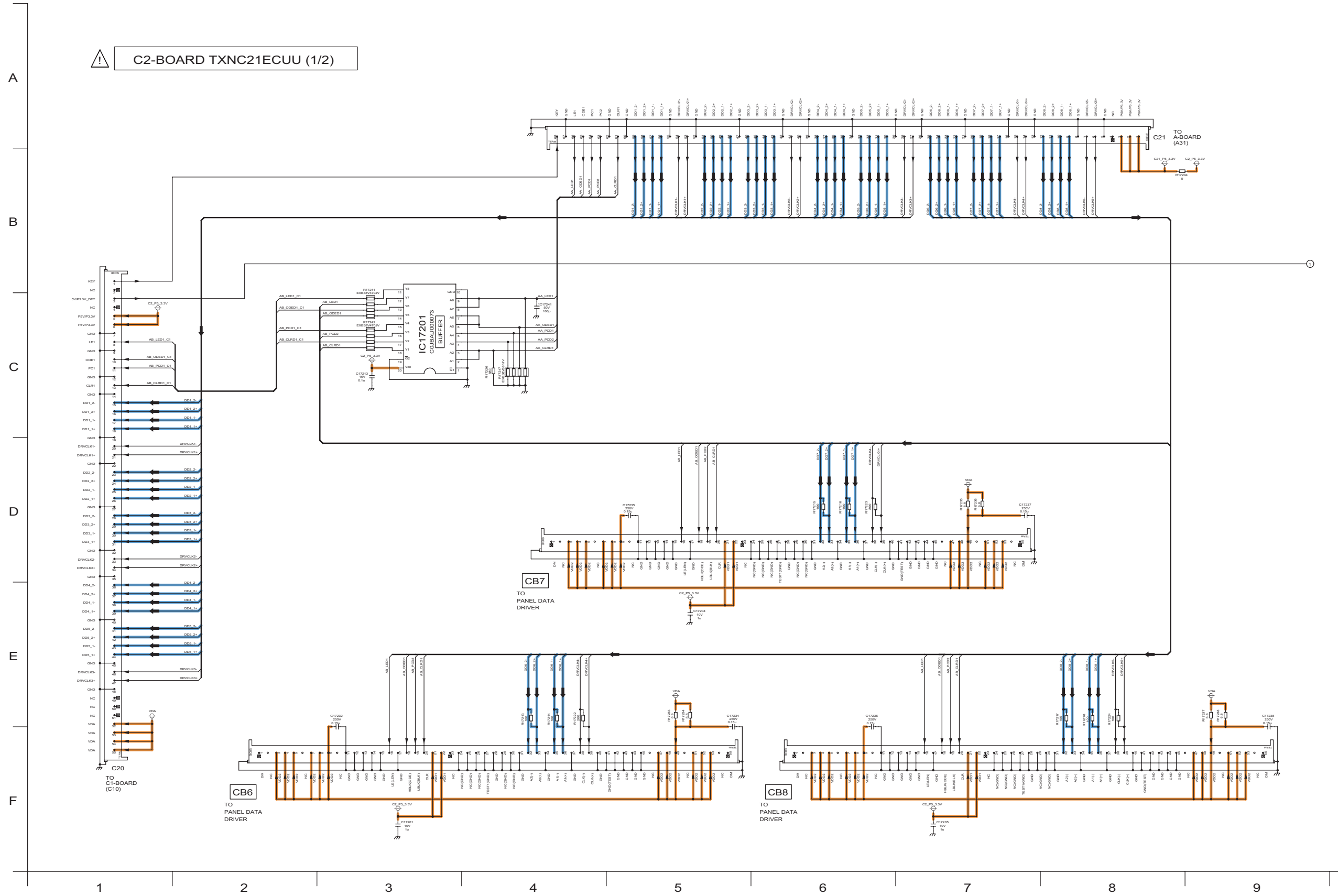
15

16

17

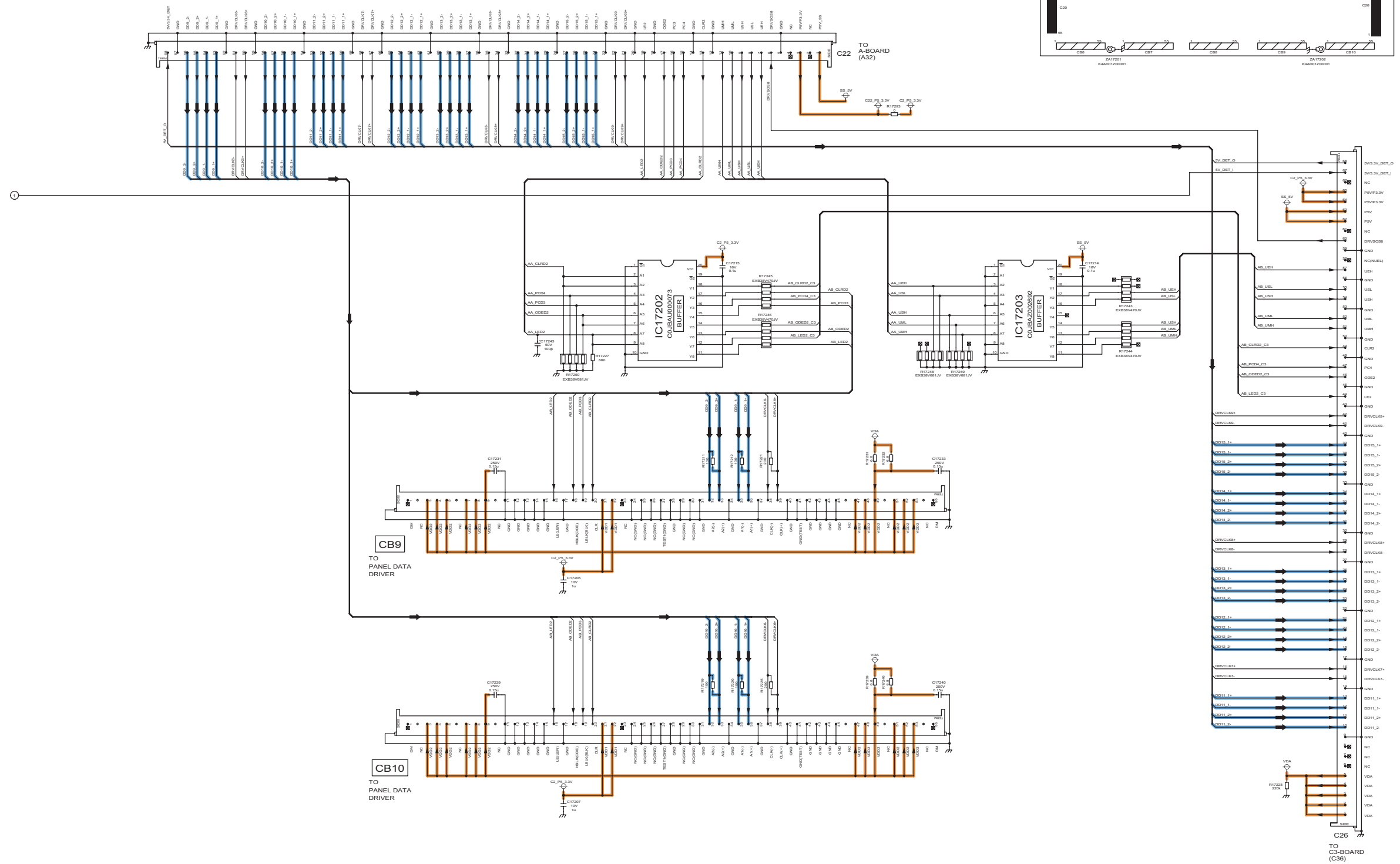
18

### 11.30. C2-Board (1/2) Schematic Diagram



# 11.31. C2-Board (2/2) Schematic Diagram

C2-BOARD TXNC21ECUU (2/2)



10

11

12

13

14

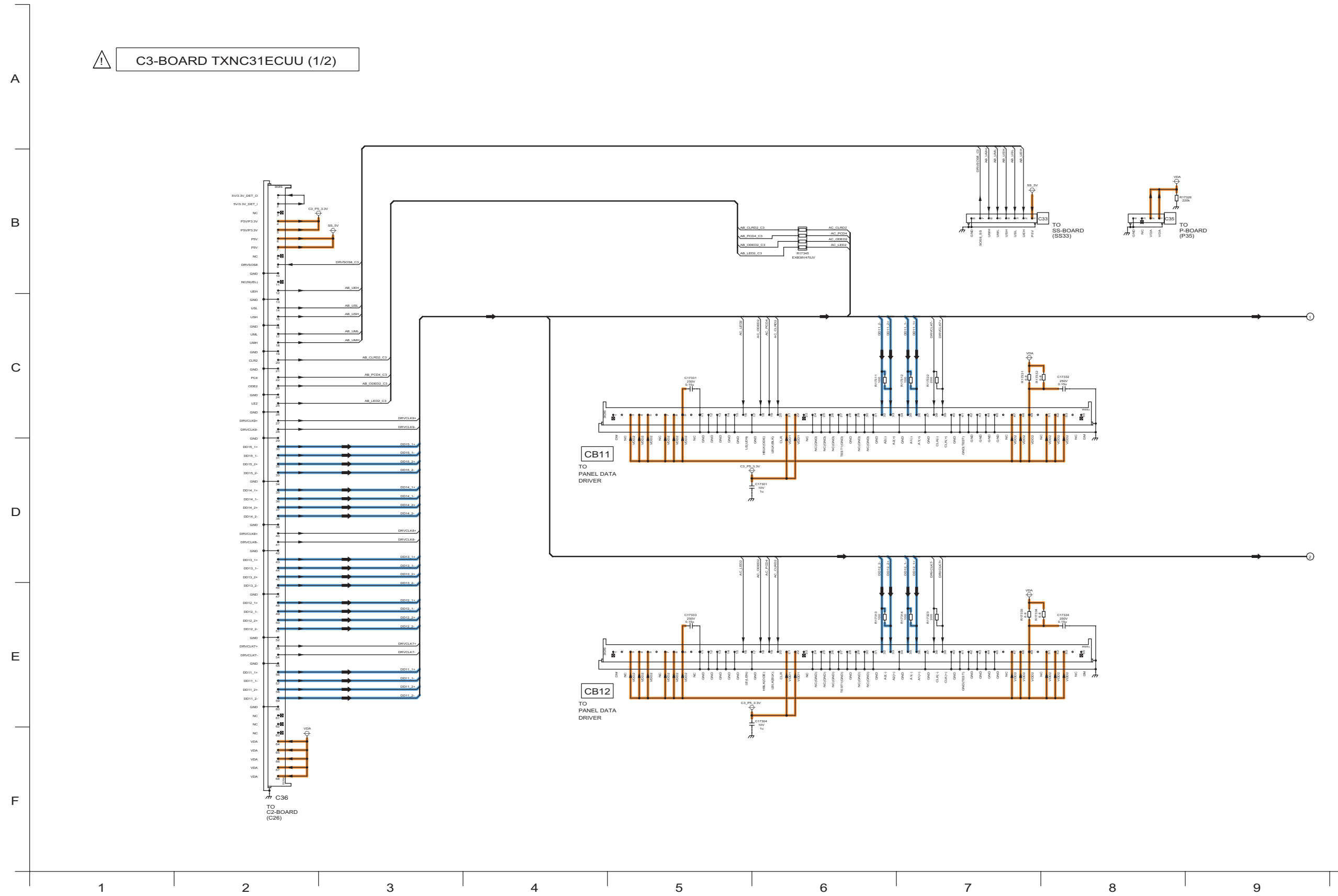
15

16

17

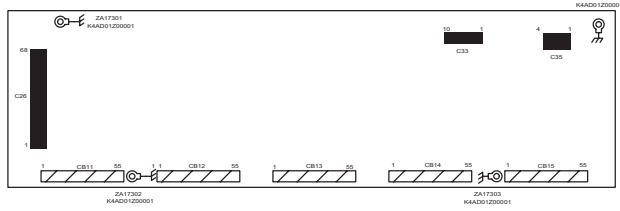
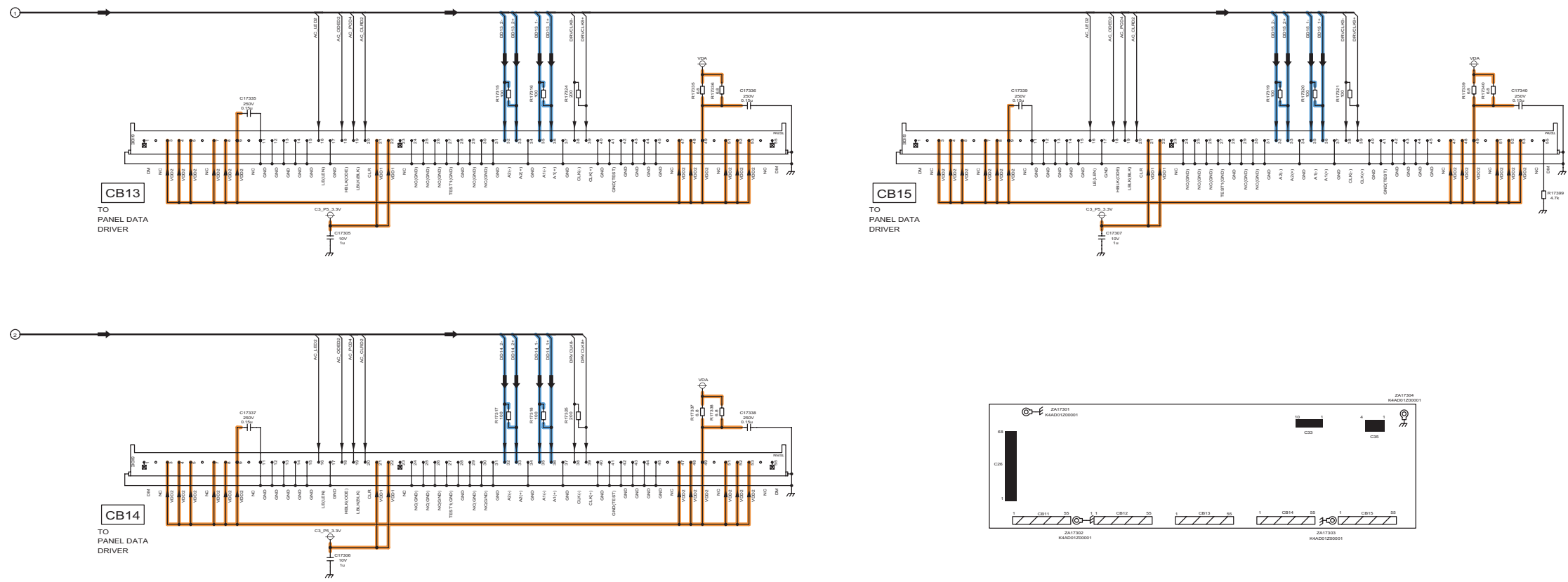
18

### 11.32. C3-Board (1/2) Schematic Diagram

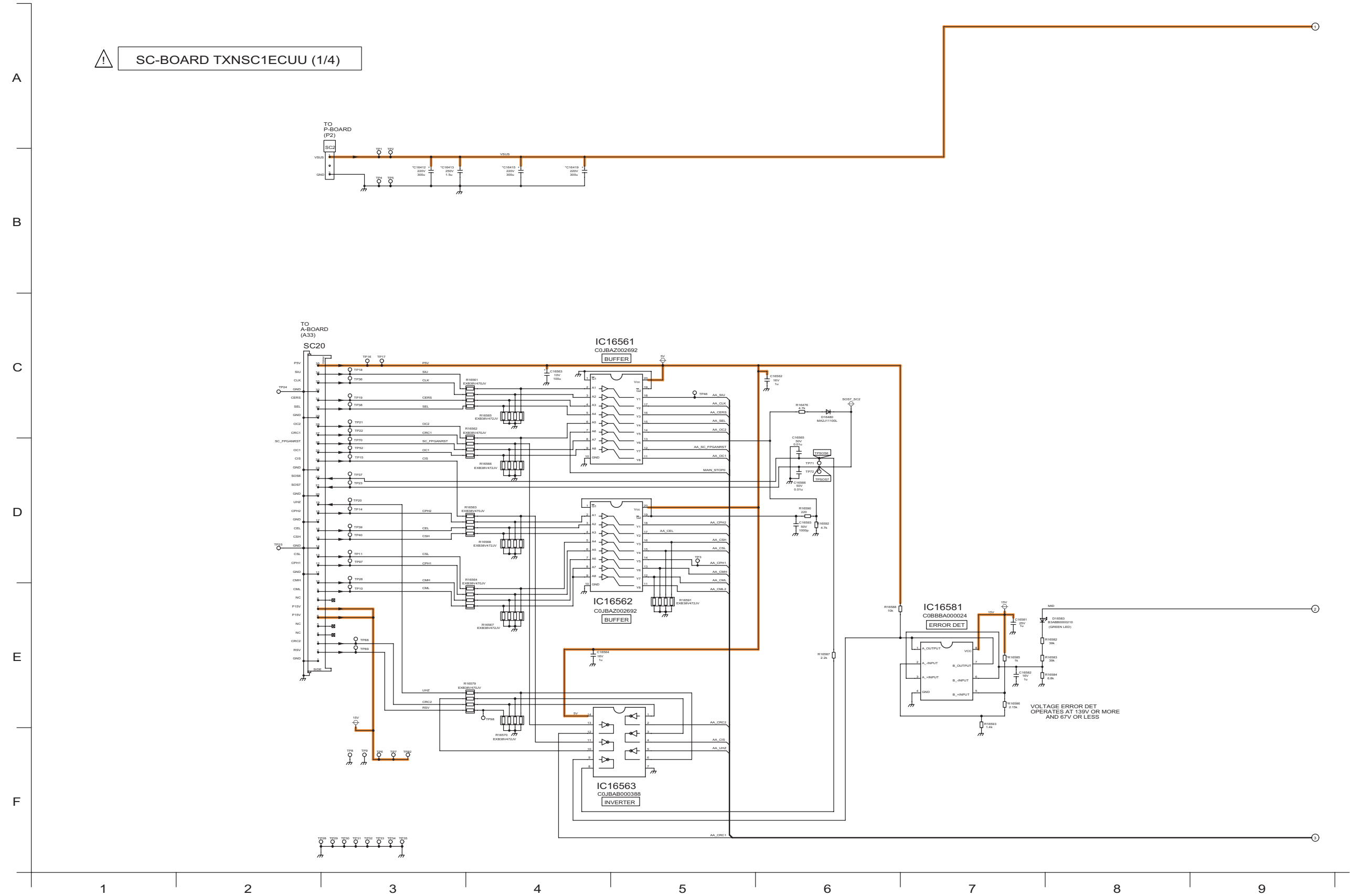


# 11.33. C3-Board (2/2) Schematic Diagram

⚠ C3-BOARD TXNC31ECUU (2/2)

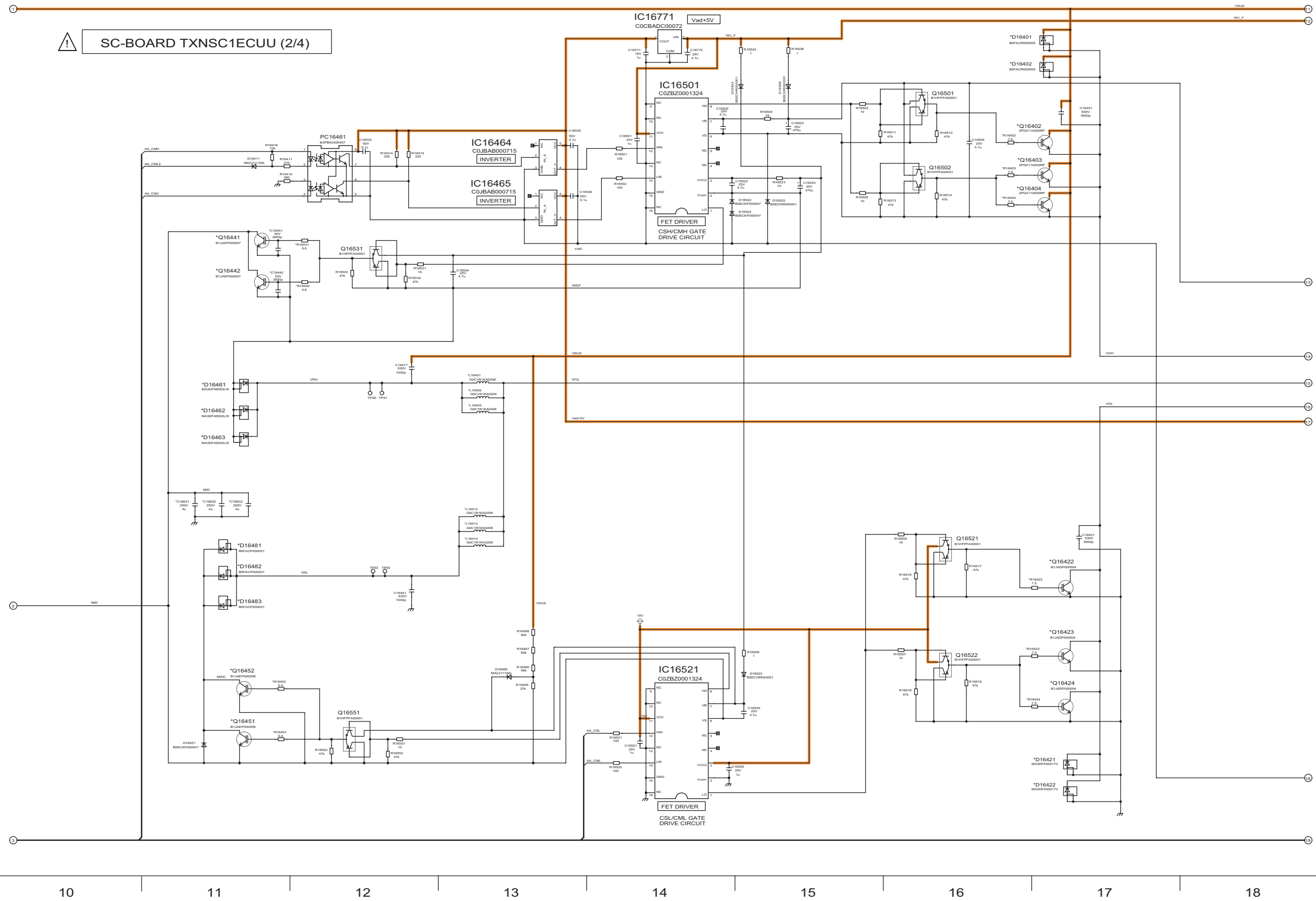


### 11.34. SC-Board (1/4) Schematic Diagram

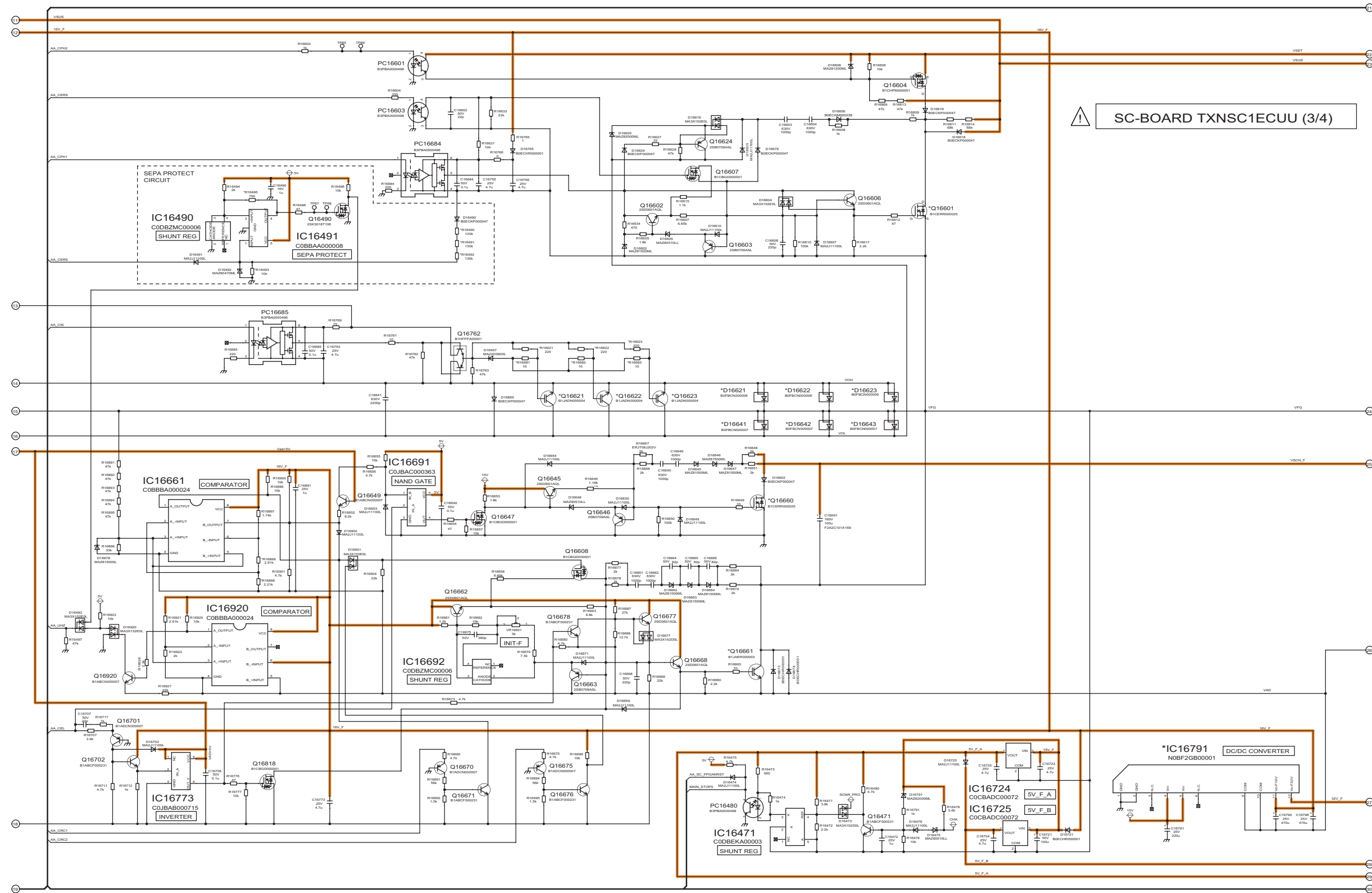




# 11.35. SC-Board (2/4) Schematic Diagram



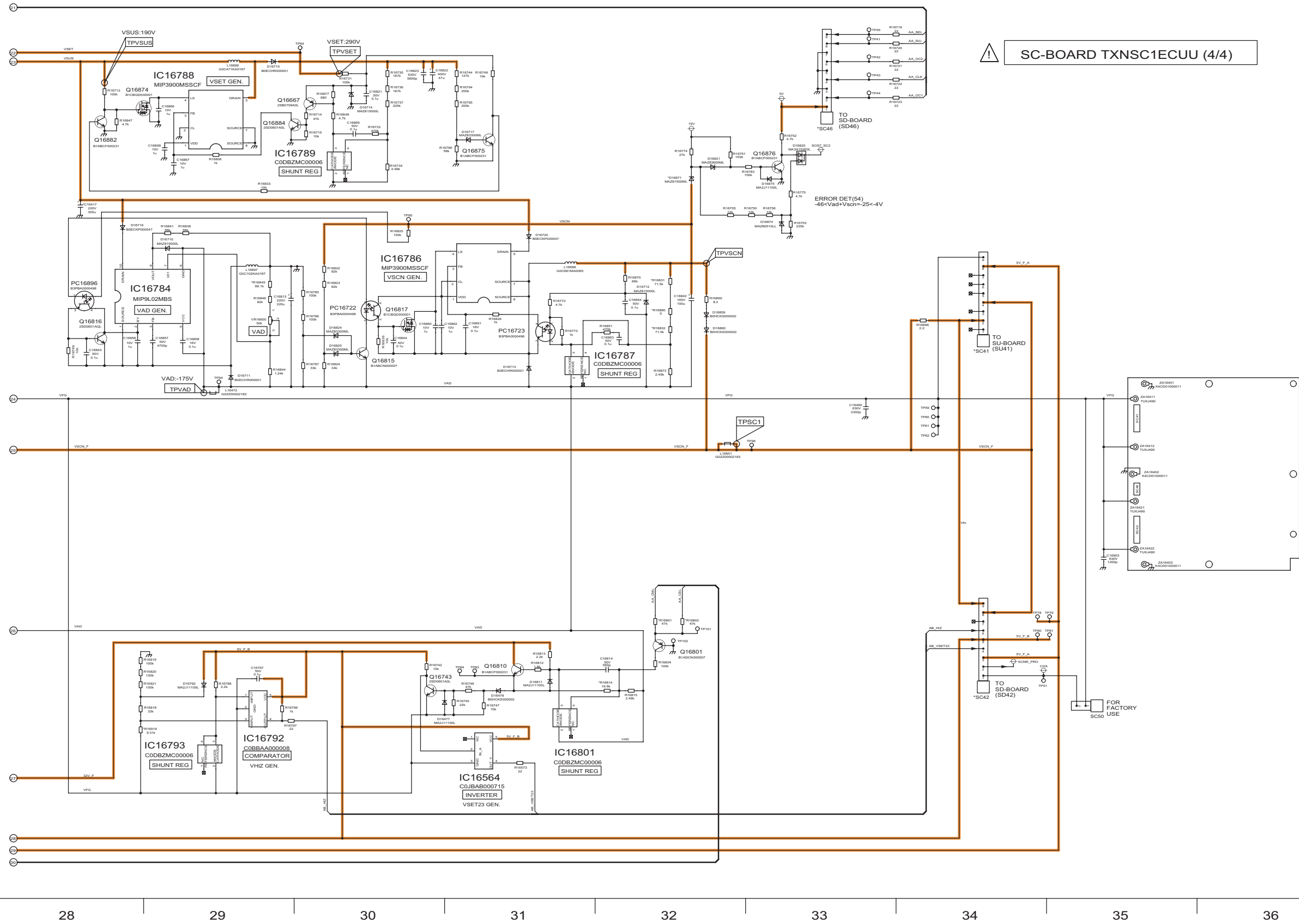
# 11.36. SC-Board (3/4) Schematic Diagram



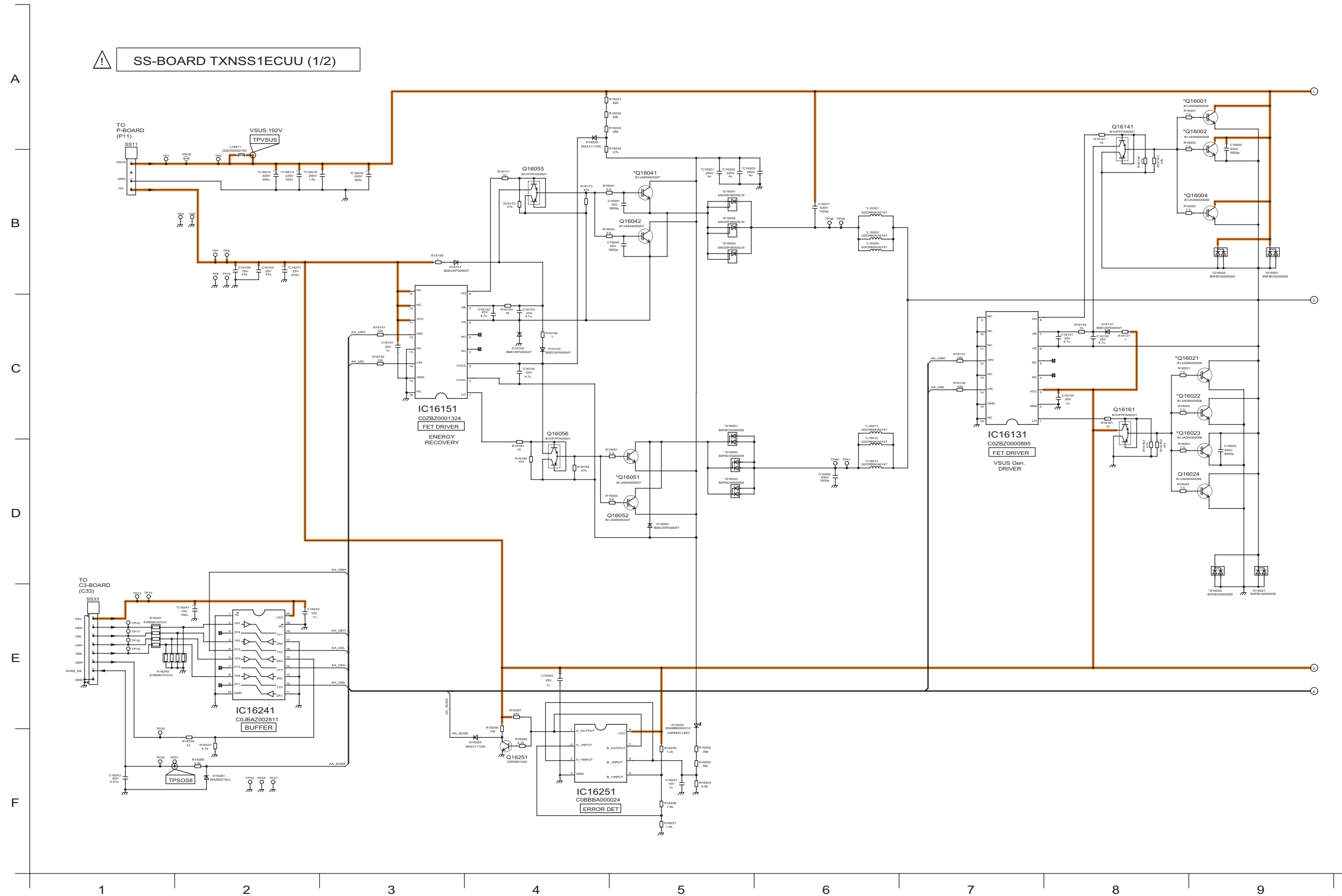
SC-BOARD TXNSC1ECUU (3/4)

19 20 21 22 23 24 25 26 27

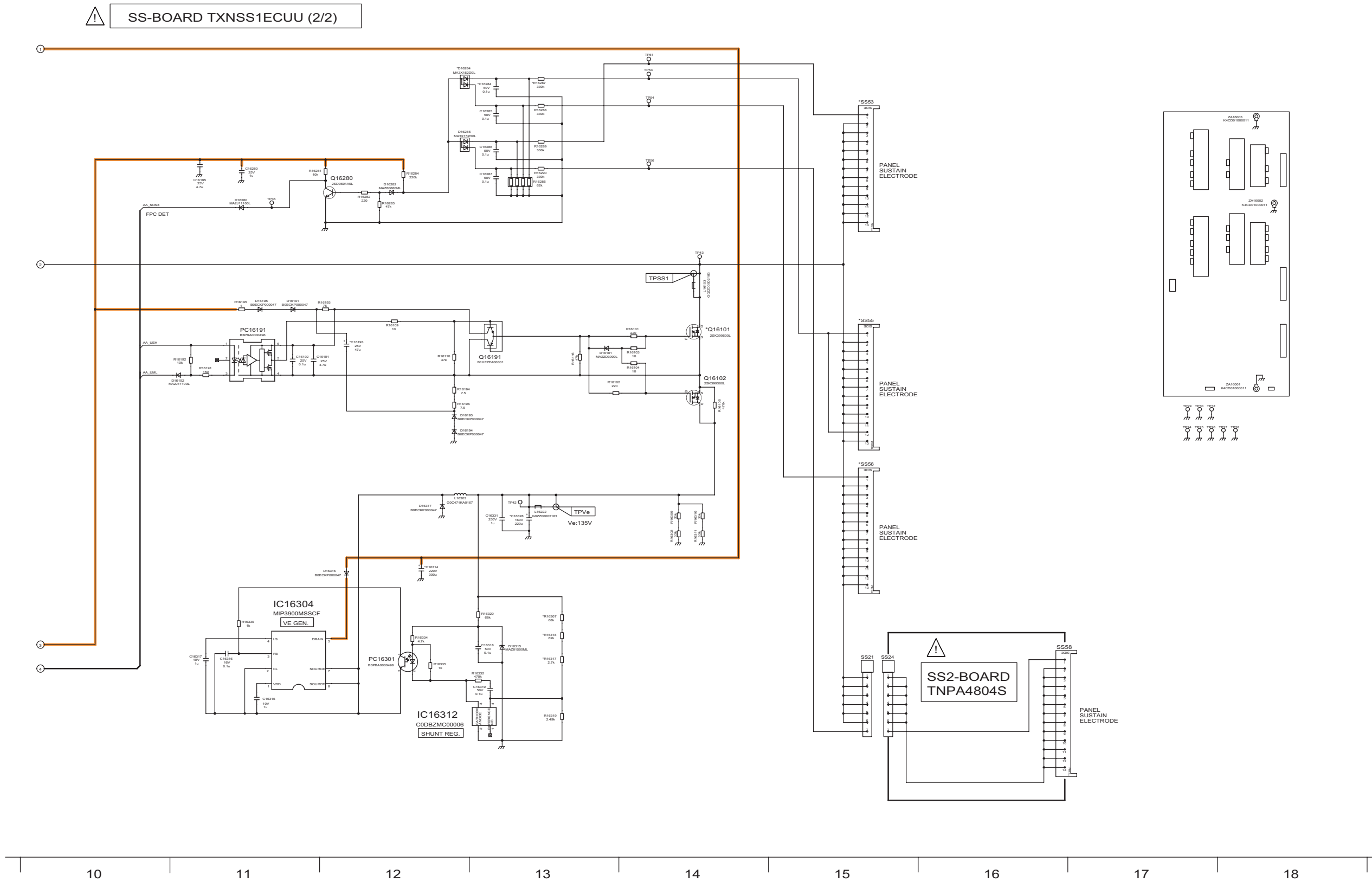
# 11.37. SC-Board (4/4) Schematic Diagram



# 11.38. SS-Board (1/2) Schematic Diagram



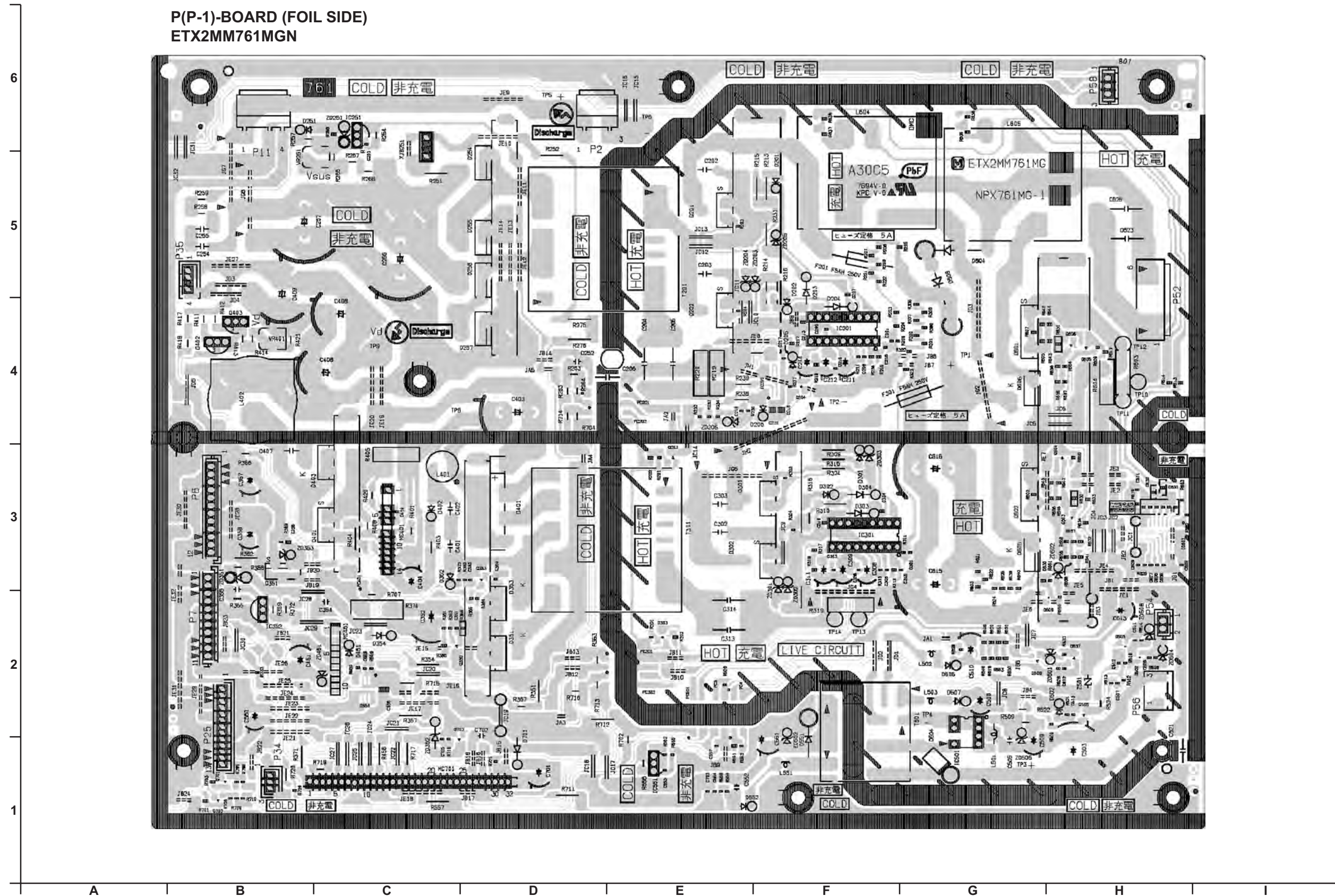
# 11.39. SS-Board (2/2) and SS2-Board Schematic Diagram

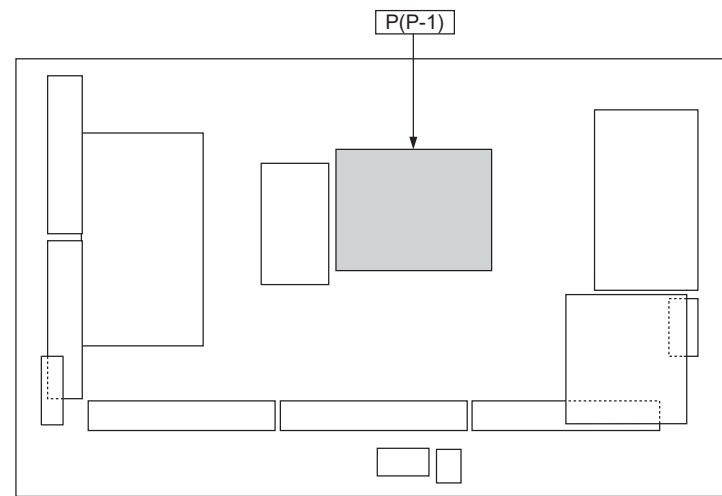




# 12 Printed Circuit Board

## 12.1. P(P-1)-Board





**Parts Location**

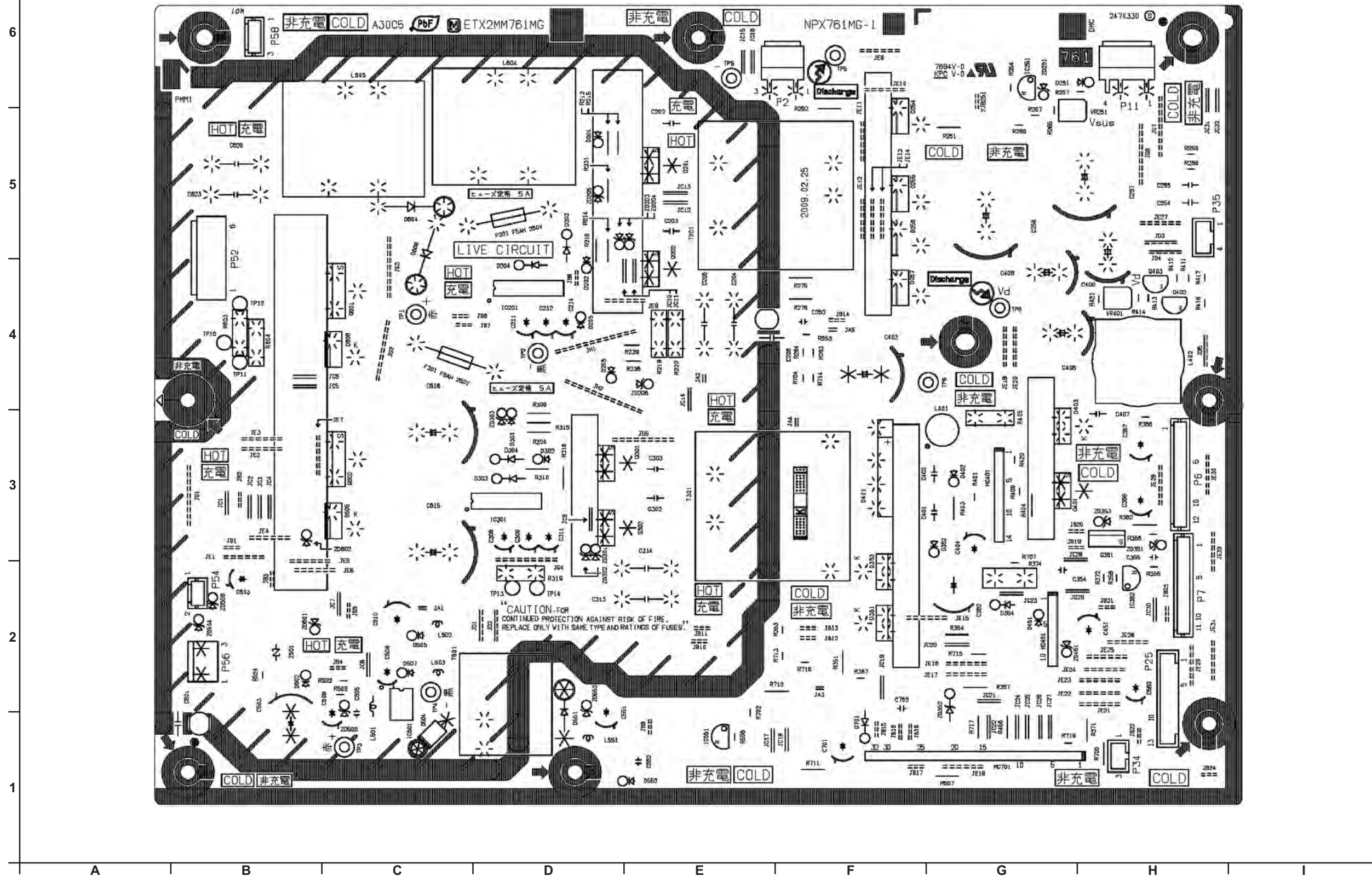
P-BOARD (FOIL SIDE)					
IC		TRANSISTOR		TEST POINT	
IC201	F-4	Q201	E-5	TP1	G-4
IC202	F-4	Q202	E-4	TP2	F-4
IC251	C-6	Q203	E-3	TP3	G-1
IC301	F-3	Q204	F-4	TP4	G-2
IC352	B-2	Q301	E-3	TP5	D-6
IC501	G-2	Q302	E-3	TP6	E-6
IC551	E-1	Q303	E-2	TP8	C-4
IC601	H-3	Q351	B-3	TP9	C-4
<b>MODULE</b>		Q352	C-2	TP10	H-4
MC401	C-3	Q353	D-3	TP11	H-4
MC451	C-2	Q401	C-3	TP12	H-4
MC701	C-1	Q402	B-4	TP13	F-2
<b>PHOTO COUPLER</b>		Q403	B-4	TP14	F-2
PC3	E-2	Q502	H-2	<b>VOLUME</b>	
PC4	E-2	Q505	H-2	VR251	B-5
PC201	E-4	Q506	H-2	VR401	B-4
PC202	E-4	Q551	C-2		
PC301	E-2	Q601	G-4		
PC302	E-2	Q602	G-3		
PC401	C-3	Q603	H-3		
PC501	E-2	Q604	H-3		
		Q605	H-4		
		Q606	H-4		
		Q607	H-2		
		Q608	G-2		
		Q609	H-2		
		Q701	B-1		
		Q702	B-1		
		Q703	C-1		

**Parts Location**

P-BOARD (COMPONENT SIDE)					
IC		TRANSISTOR		TEST POINT	
IC201	D-4	Q201	E-5	TP1	C-4
IC251	G-6	Q202	E-4	TP2	D-4
IC301	D-3	Q301	E-3	TP3	C-1
IC352	H-2	Q302	E-3	TP4	C-2
IC501	C-2	Q351	H-3	TP5	F-6
IC551	E-1	Q401	H-3	TP6	E-6
<b>MODULE</b>		Q402	H-4	TP8	G-4
MC401	G-3	Q403	H-4	TP9	G-4
MC451	G-2	Q601	C-4	TP10	B-4
MC701	G-1	Q602	C-3	TP11	B-4
		Q606	C-4	TP12	B-4
				TP13	D-2
				TP14	D-2
				<b>VOLUME</b>	
				VR251	G-5
				VR401	H-4

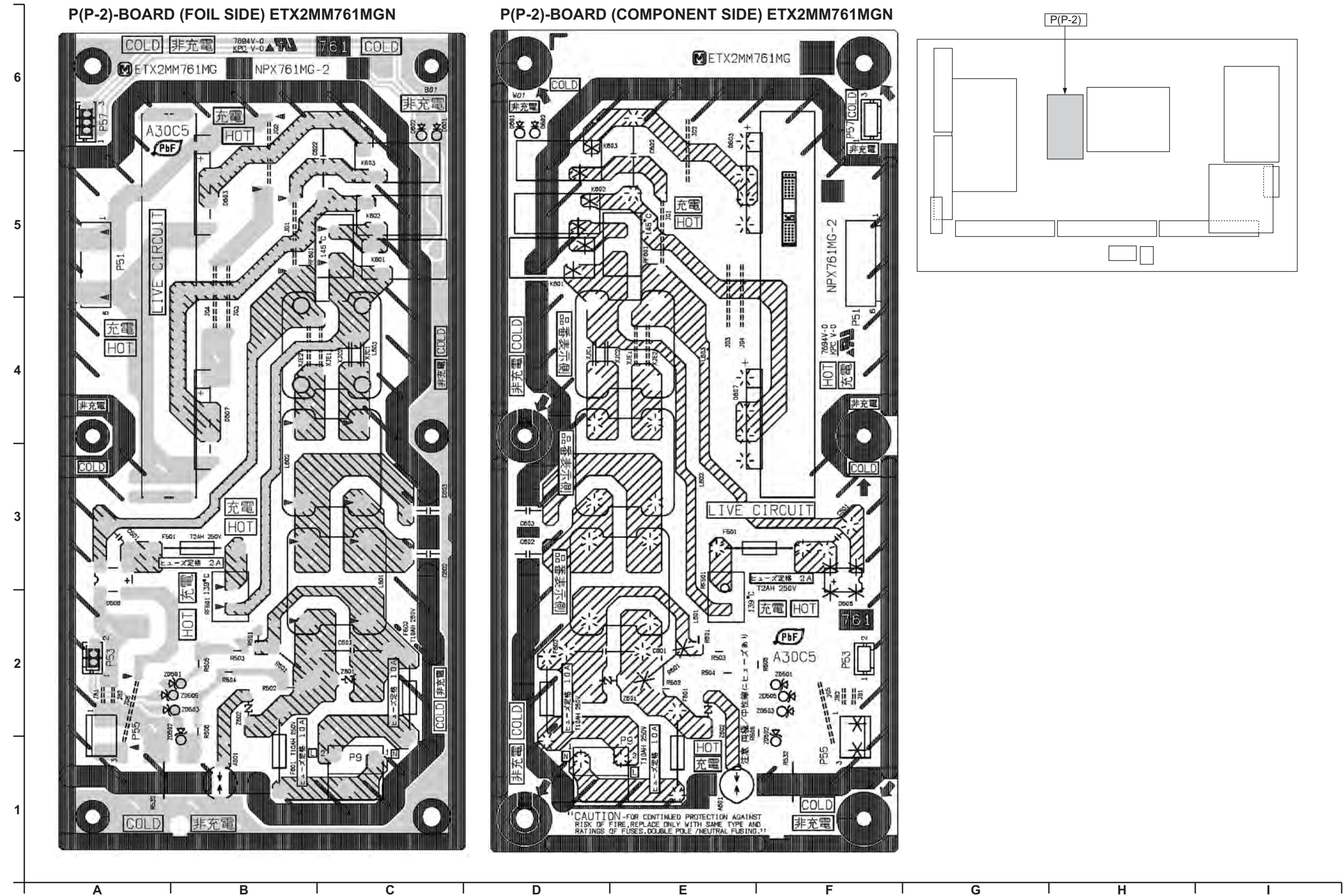


### P(P-1)-BOARD (COMPONENT SIDE) ETX2MM761MGN

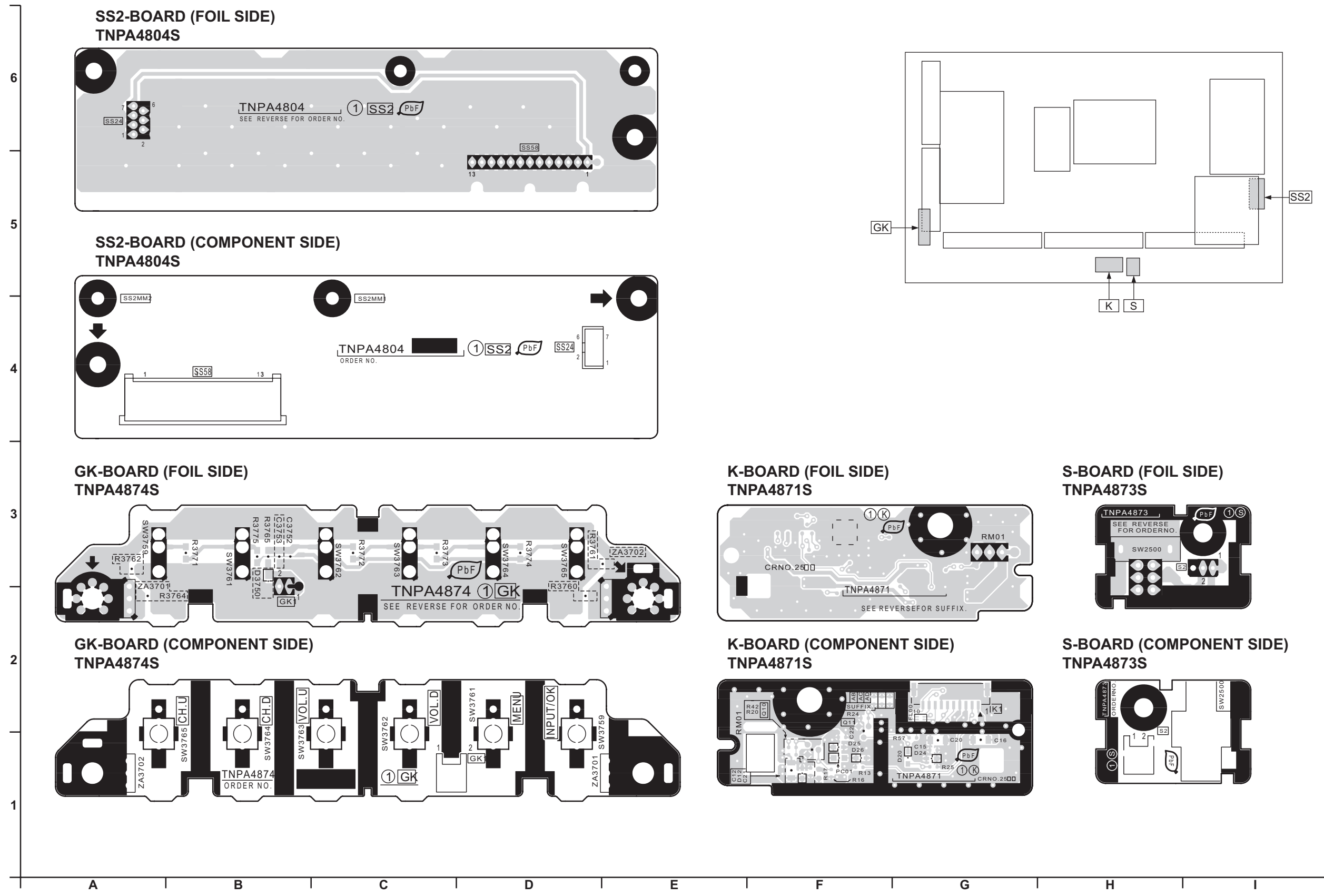




## 12.2. P(P-2)-Board

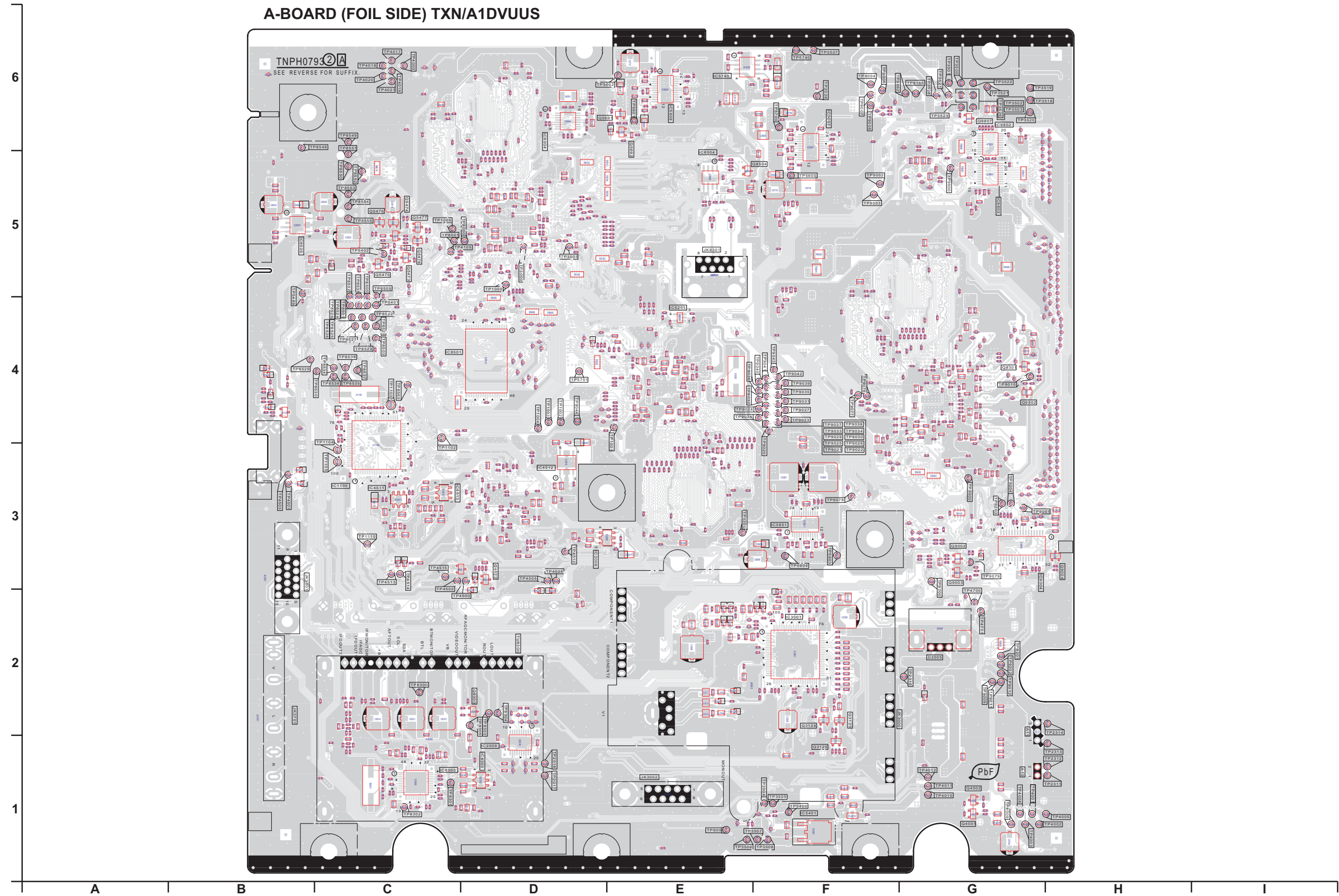


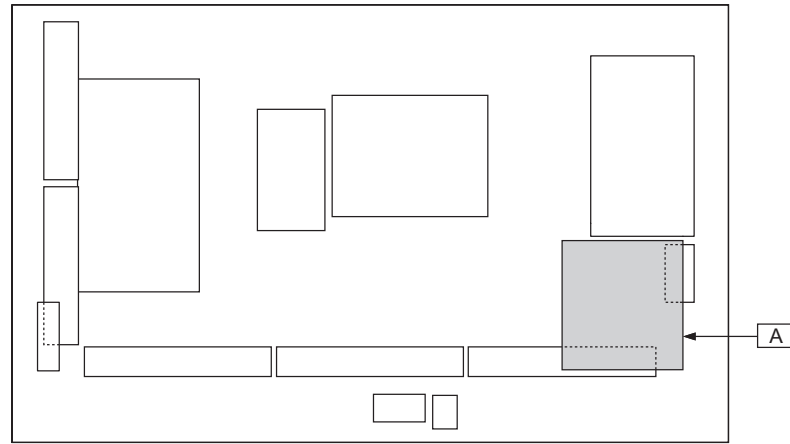
### 12.3. GK, K, S and SS2-Board





### 12.4. A-Board





**Parts Location**

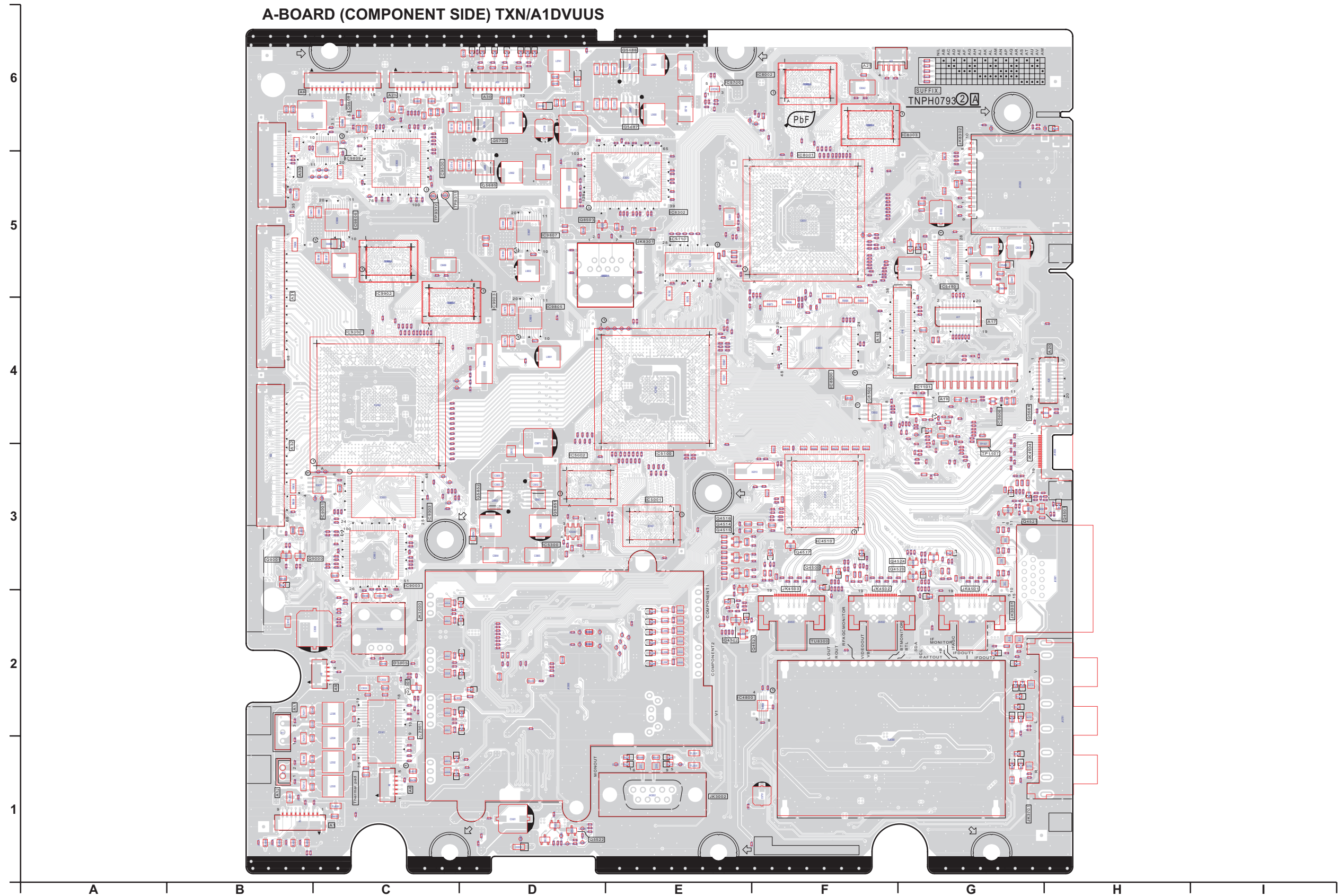
A-BOARD (FOIL SIDE)					
IC	TRANSISTOR	TEST POINT			
IC1100	C-3	Q3123	F-2	TP1000	D-5
IC2008	D-3	Q3124	F-2	TP1001	E-4
IC2009	D-1	Q3125	F-1	TP1002	D-4
IC3001	F-2	Q4001	G-1	TP1003	D-4
IC4511	C-3	Q4002	G-1	TP1004	D-4
IC4512	D-3	Q4522	D-3	TP1005	C-5
IC4513	C-3	Q5473	C-5	TP1102	C-3
IC5201	E-4	Q5474	C-5	TP1103	C-4
IC5401	F-1	Q5475	C-5	TP1104	C-3
IC5607	F-6	Q5476	C-5	TP1105	C-3
IC5608	E-6	Q5477	C-5	TP1110	C-3
IC5740	E-6	Q5478	C-5	TP2017	D-1
IC5851	F-3	Q5691	E-6	TP2018	D-1
IC8004	D-6	Q5692	E-6	TP2027	F-6
IC8300	C-1	Q8300	D-2	TP2028	F-6
IC8303	D-1	Q8504	F-5	TP2311	H-1
IC8501	D-4	Q9002	G-3	TP2312	H-1
IC8504	E-5	Q9003	G-3	TP2313	H-1
IC8505	B-5	Q9004	H-3	TP2314	H-2
IC9004	G-3	Q9301	G-4	TP2315	G-2
IC9802	G-6	Q9302	G-4	TP3000	D-5
IC9803	G-5	Q9807	G-6	TP3001	D-5
				TP3500	G-6
				TP3501	G-6
				TP3502	G-6
				TP3503	G-6
				TP3504	F-1
				TP3505	F-1
				TP3506	E-1
				TP3507	F-1
				TP3508	F-1
				TP3518	G-6
				TP3519	G-6
				TP3520	G-6
				TP3521	G-6
				TP3522	G-6
				TP3523	G-6
				TP3526	G-6
				TP3527	G-6
				TP3528	G-6
				TP4000	C-6
				TP4001	G-1
				TP4002	H-1
				TP4003	G-1
				TP4005	H-1
				TP4008	G-1
				TP4009	G-1
				TP4010	G-1
				TP4011	G-1
				TP4012	G-1
				TP4017	C-6
				TP4018	C-6
				TP4019	C-6
				TP4020	C-6
				TP4021	C-6
				TP4105	C-5
				TP4500	C-3
				TP4501	B-3
				TP4502	C-3
				TP4503	B-3
				TP4504	D-3
				TP4505	D-3
				TP4512	D-3
				TP4513	C-3
				TP4514	C-3
				TP4515	C-3
				TP4700	G-2
				TP4701	G-2
				TP5300	E-3
				TP5400	F-1
				TP5401	C-4
				TP5402	C-5
				TP5489	B-5
				TP5600	F-5
				TP5601	E-6
				TP5602	E-6
				TP5603	F-3
				TP5604	F-3
				TP5700	F-6
				TP5701	D-4
				TP5740	F-6
				TP8000	D-5
				TP8001	C-5
				TP8300	C-2
				TP8301	C-1
				TP8302	C-1
				TP8303	D-2
				TP8304	D-2
				TP8305	D-2
				TP8500	C-5
				TP8501	C-4
				TP8503	C-4
				TP8505	C-5
				TP8521	C-4
				TP8522	C-4
				TP8523	C-4
				TP8524	C-4
				TP8525	C-4
				TP8526	C-4
				TP8527	C-4
				TP8528	C-4
				TP8529	B-4
				TP8530	C-4
				TP8531	C-5
				TP8532	C-5
				TP8534	C-4
				TP8535	C-4
				TP8536	C-4
				TP8537	C-4
				TP8538	C-4
				TP8548	C-6
				TP8549	C-6
				TP8550	C-5
				TP8551	C-5
				TP8552	C-5
				TP8553	C-5
				TP8554	C-5
				TP8555	C-5
				TP8563	C-4
				TP9000	G-3
				TP9001	G-3
				TP9002	F-5
				TP9003	F-5
				TP9004	F-6
				TP9006	F-6
				TP9007	F-6
				TP9008	F-6
				TP9009	G-2
				TP9010	G-4
				TP9011	G-2
				TP9012	G-2
				TP9020	F-4
				TP9021	F-4
				TP9022	F-4
				TP9023	F-4
				TP9024	F-4
				TP9025	F-4
				TP9026	F-4
				TP9027	F-4
				TP9028	F-4
				TP9029	F-4
				TP9030	F-4
				TP9031	F-4
				TP9032	F-4
				TP9033	F-4
				TP9034	F-4
				TP9035	F-4
				TP9036	F-4
				TP9037	F-4
				TP9038	F-4
				TP9039	F-4
				TP9040	F-4
				TP9041	F-4
				TP9042	F-4
				TP9043	F-4
				TP9044	D-4
				TP9076	F-4
				TP9077	F-4
				TP9078	F-3
				TP9079	G-3
				TP9196	G-6
				TP9200	G-3
				TP9201	G-2
				TP9202	G-2
				TP9203	G-3
				TP9204	G-3
				TP9500	G-5
				TP9862	G-6
				TPSOS	E-1

**Parts Location**

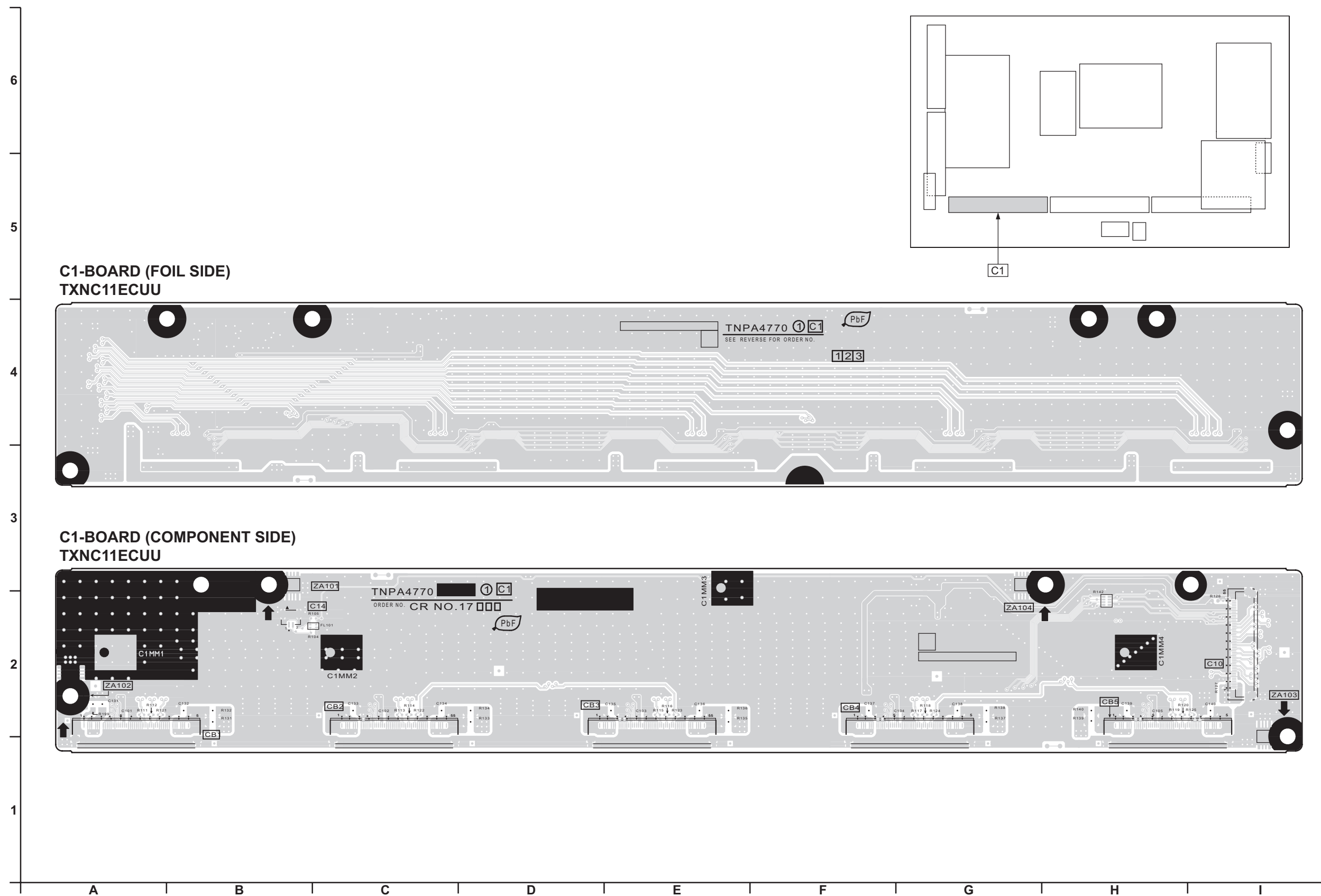
A-BOARD (COMPONENT SIDE)					
IC	TRANSISTOR	TEST POINT			
IC1101	G-4	Q2301	C-2	TP1107	G-3
IC2301	C-2	Q4500	F-3	TP9311	C-5
IC4510	F-3	Q4501	H-3	TP9312	C-5
IC4800	E-2	Q4502	E-2		
IC5001	E-3	Q4514	E-3		
IC5002	D-3	Q4515	E-3		
IC5100	E-4	Q4516	E-3		
IC5110	E-5	Q4517	F-3		
IC5300	D-3	Q4520	F-3		
IC5480	G-5	Q4521	G-3		
IC5606	G-4	Q4523	F-2		
IC5700	E-6	Q4524	F-3		
IC8001	F-5	Q5522	D-1		
IC8002	F-6	Q5684	G-4		
IC8003	G-6	Q5685	D-5		
IC8302	E-5	Q5686	E-6		
IC8500	F-4	Q5687	E-6		
IC8502	F-4	Q5700	D-6		
IC9001	C-3	Q5851	D-3		
IC9003	C-3	Q5852	D-3		
IC9300	C-4	Q8503	D-5		
IC9303	C-3	Q9000	C-3		
IC9500	C-5	Q9001	B-3		
IC9805	D-4				
IC9806	C-5				
IC9807	D-5				
IC9808	C-6				
IC9809	C-5				
IC9902	C-5				
IC9903	D-4				



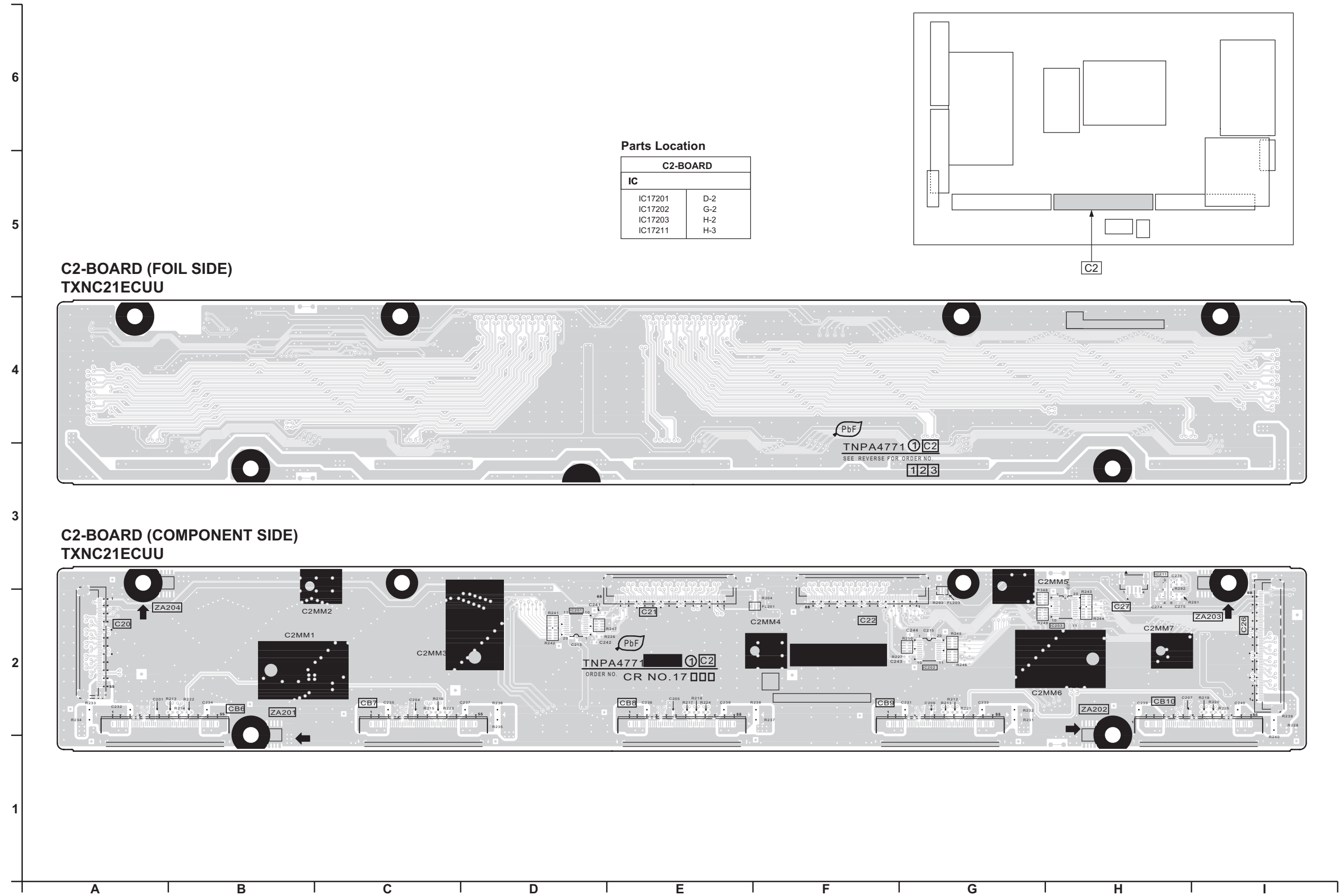
### A-BOARD (COMPONENT SIDE) TXN/A1DVUUS



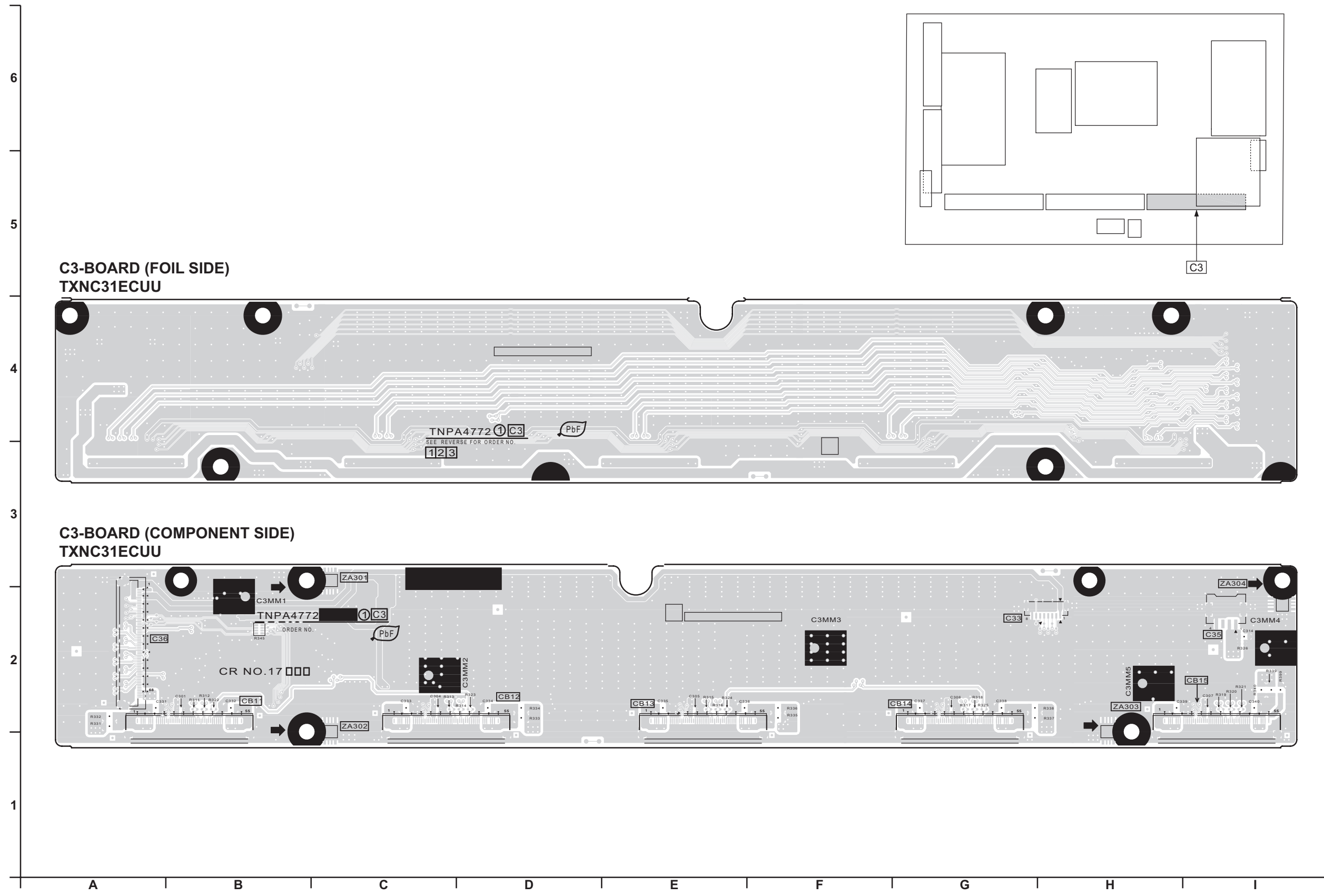
### 12.5. C1-Board



## 12.6. C2-Board

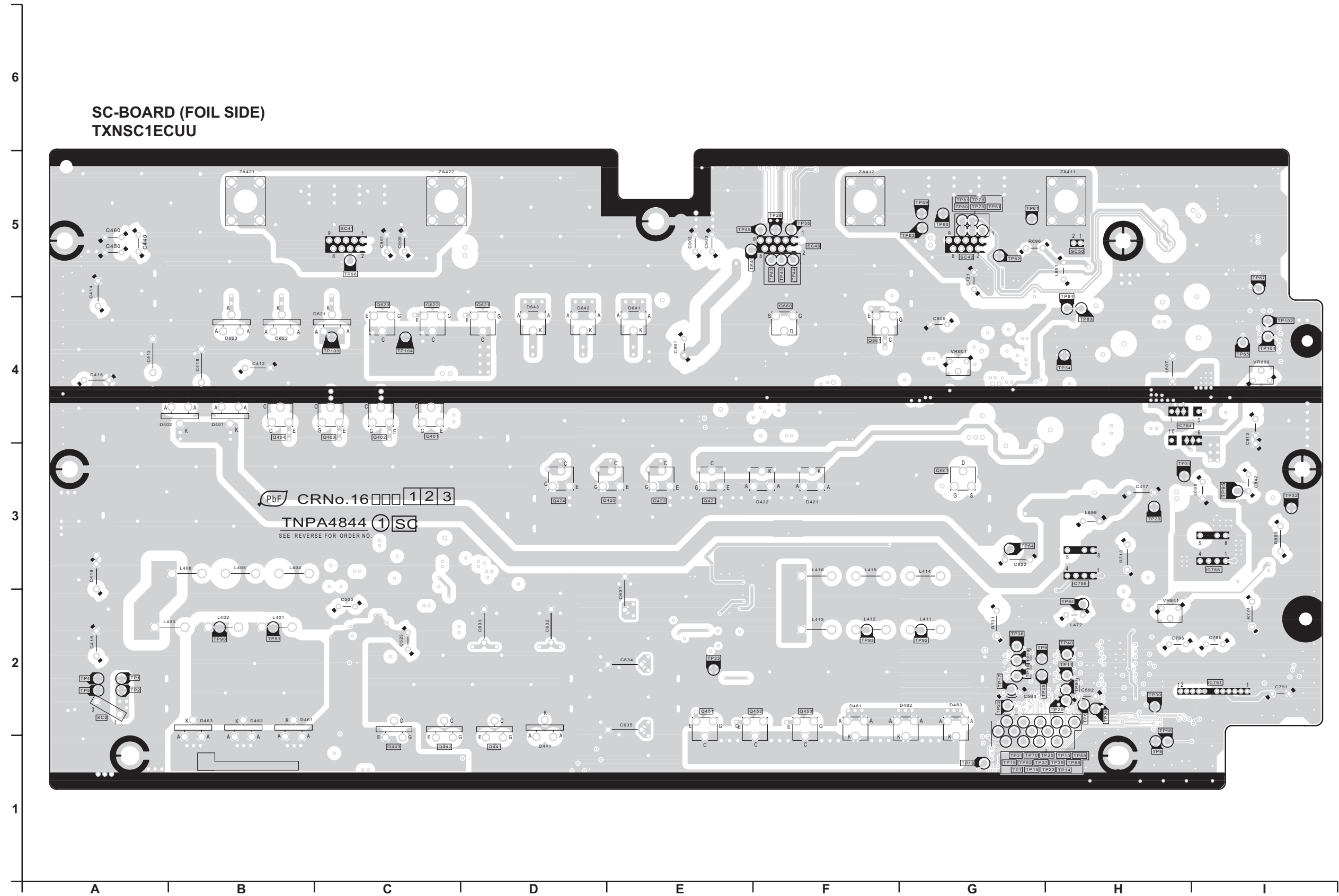


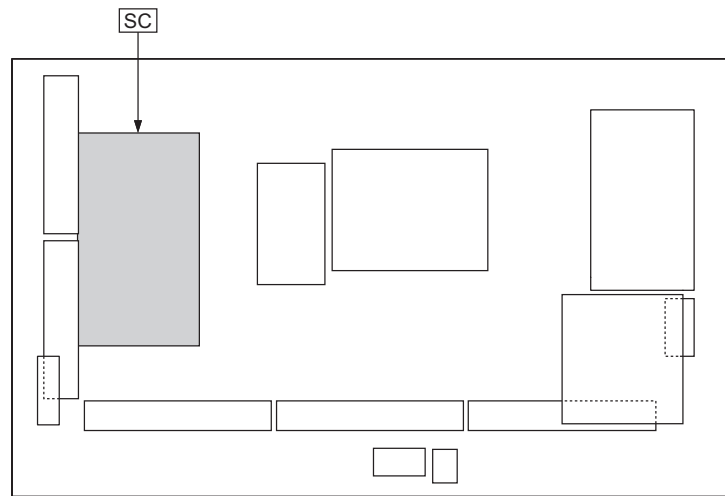
### 12.7. C3-Board





# 12.8. SC-Board



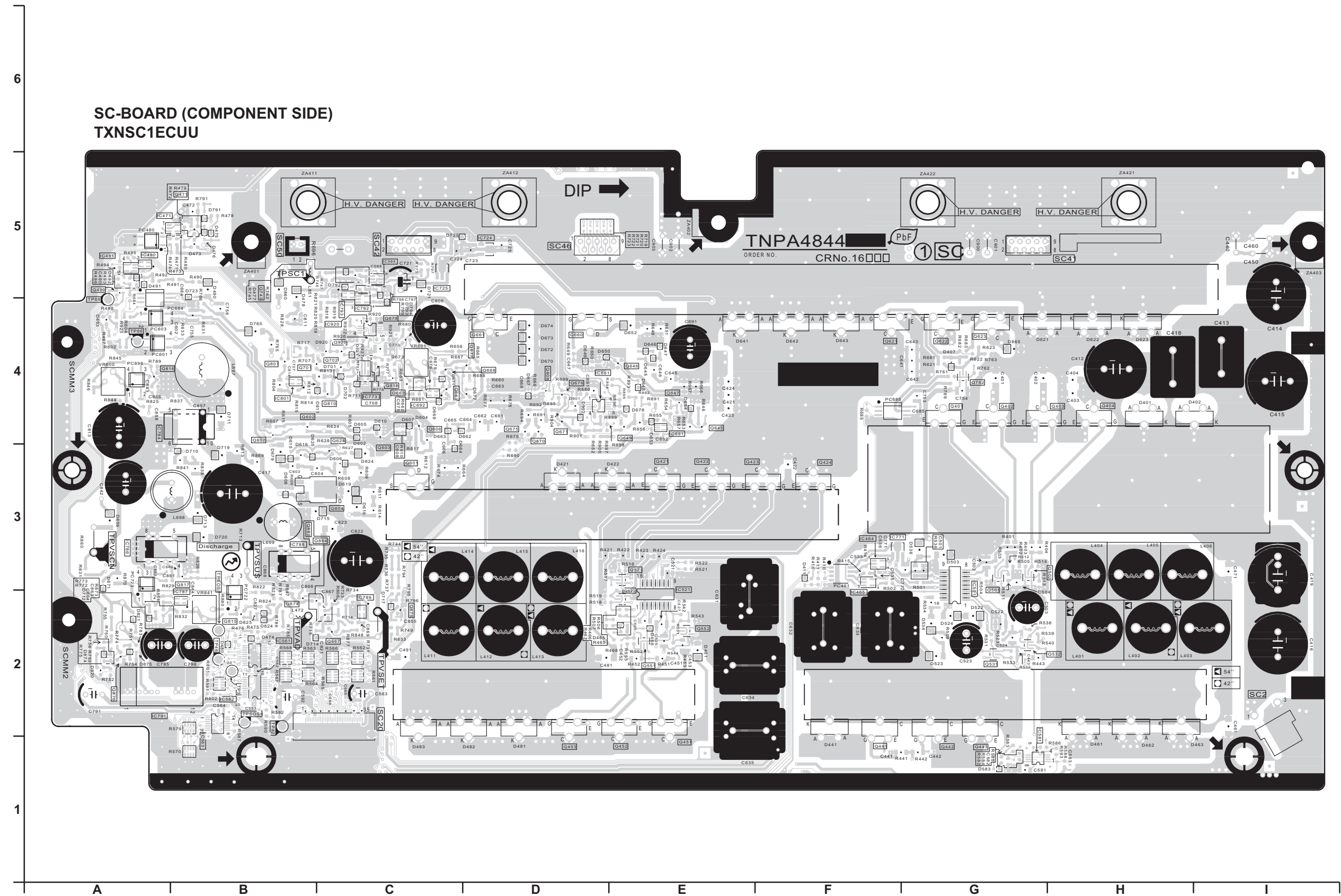


**Parts Location**

SC-BOARD (FOIL SIDE)					
IC		TEST POINT			
IC16784	H-4	TP1	A-2	TP41	E-5
IC16786	I-3	TP2	A-2	TP42	F-5
IC16788	H-3	TP4	A-2	TP43	F-5
IC16791	I-2	TP5	A-2	TP44	F-5
		TP6	H-2	TP45	E-5
		TP7	G-1	TP51	G-5
		TP8	H-2	TP52	G-1
		TP9	G-2	TP59	G-5
		TP10	H-1	TP60	G-5
		TP11	H-2	TP61	G-5
		TP14	H-1	TP62	G-5
		TP15	G-1	TP63	G-5
		TP16	G-1	TP64	G-3
		TP17	G-2	TP65	I-4
		TP18	G-1	TP67	I-5
		TP19	G-2	TP70	G-1
		TP20	G-1	TP78	G-5
		TP21	G-1	TP79	G-5
		TP22	G-2	TP80	G-5
		TP23	G-1	TP81	G-5
		TP24	H-2	TP83	H-4
		TP25	G-2	TP84	H-4
		TP26	H-2	TP88	H-1
		TP28	F-5	TP89	H-1
		TP29	H-3	TP90	B-2
		TP30	H-2	TP91	B-2
		TP31	H-3	TP92	F-2
		TP32	I-3	TP93	G-2
		TP33	E-2	TP94	H-2
		TP34	H-4	TP95	I-3
		TP35	F-5	TP96	C-5
		TP36	G-2	TP97	H-2
		TP37	G-1	TP98	H-2
		TP38	G-2	TP101	I-4
		TP39	H-1	TP102	I-4
		TP40	H-2	TP103	C-4
				TP104	C-4
TRANSISTOR					
Q16401	C-4				
Q16402	C-4				
Q16403	C-4				
Q16404	B-4				
Q16421	E-3				
Q16422	E-3				
Q16423	E-3				
Q16424	D-3				
Q16441	D-1				
Q16442	C-1				
Q16443	C-1				
Q16451	E-2				
Q16452	F-2				
Q16453	F-2				
Q16601	G-3				
Q16621	D-4				
Q16622	C-4				
Q16623	C-4				
Q16660	F-4				
Q16661	F-4				
VOLUME					
VR16600	I-4				
VR16601	G-4				
VR16841	H-2				

**Parts Location**

SC-BOARD (COMPONENT SIDE)							
IC		PHOTO COUPLER				TEST POINT	
IC16464	F-3	PC16461	F-3	Q16606	C-4	TP3	B-2
IC16465	F-2	PC16480	A-5	Q16607	B-4	TP46	B-2
IC16471	A-5	PC16601	A-4	Q16608	D-4	TP66	A-4
IC16490	A-5	PC16603	A-4	Q16621	F-4	TP68	A-4
IC16491	A-5	PC16684	A-4	Q16622	G-4	TP82	B-2
IC16501	G-3	PC16722	B-2	Q16623	G-4	TPSC1	B-5
IC16521	E-2	PC16723	A-3	Q16624	C-4	TPSOS6	B-2
IC16561	B-2	PC16896	A-4	Q16645	E-4	TPSOS7	B-2
IC16562	B-2			Q16646	E-4	TPVAD	B-2
IC16563	B-1			Q16647	E-4	TPVSCN	A-3
IC16564	C-5	TRANSISTOR		Q16649	E-4	TPVSET	C-2
IC16581	G-1	Q16401	G-4	Q16660	D-4	TPVSUS	B-3
IC16661	D-4	Q16402	G-4	Q16661	D-4		
IC16691	E-4	Q16403	H-4	Q16662	C-4		
IC16692	C-4	Q16404	H-4	Q16663	C-4		
IC16724	D-5	Q16421	E-3	Q16667	C-2		
IC16725	C-5	Q16422	E-3	Q16668	D-4		
IC16771	F-3	Q16423	E-3	Q16670	D-4		
IC16773	C-4	Q16424	F-3	Q16671	D-4		
IC16784	A-4	Q16441	F-1	Q16675	D-4		
IC16786	A-3	Q16442	G-1	Q16676	D-4		
IC16787	B-2	Q16443	G-1	Q16677	D-4		
IC16788	B-3	Q16451	E-1	Q16678	C-4		
IC16789	C-2	Q16452	E-1	Q16701	B-4		
IC16791	A-2	Q16453	D-1	Q16702	C-4		
IC16792	C-4	Q16471	B-5	Q16743	B-5		
IC16793	C-4	Q16490	A-5	Q16762	G-4		
IC16801	B-4	Q16501	G-3	Q16801	B-4		
IC16920	C-4	Q16502	G-3	Q16810	C-4		
		Q16521	E-3	Q16815	B-2		
		Q16522	E-2	Q16816	A-4		
		Q16531	G-2	Q16817	B-3		
		Q16532	H-2	Q16818	C-4		
		Q16551	E-2	Q16874	B-2		
		Q16552	E-2	Q16875	C-2		
		Q16601	C-3	Q16876	A-2		
		Q16602	B-4	Q16882	B-3		
		Q16603	C-3	Q16884	C-3		
		Q16604	C-4	Q16920	C-4		
						VOLUME	
						VR16600	A-4
						VR16601	C-4
						VR16841	B-2



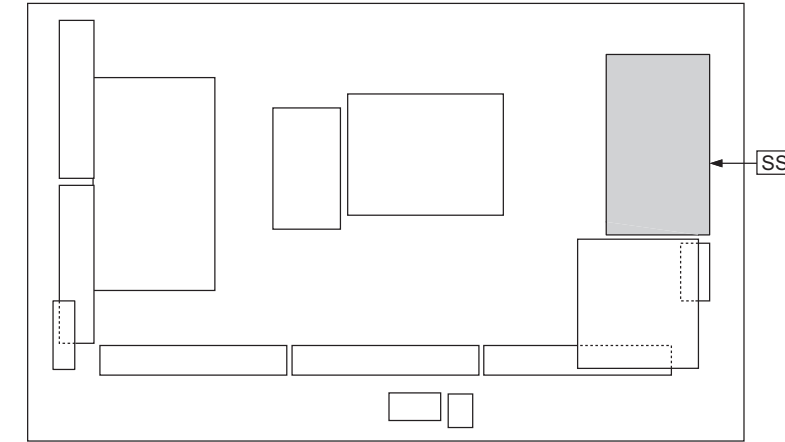
# 12.9. SS-Board

### Parts Location

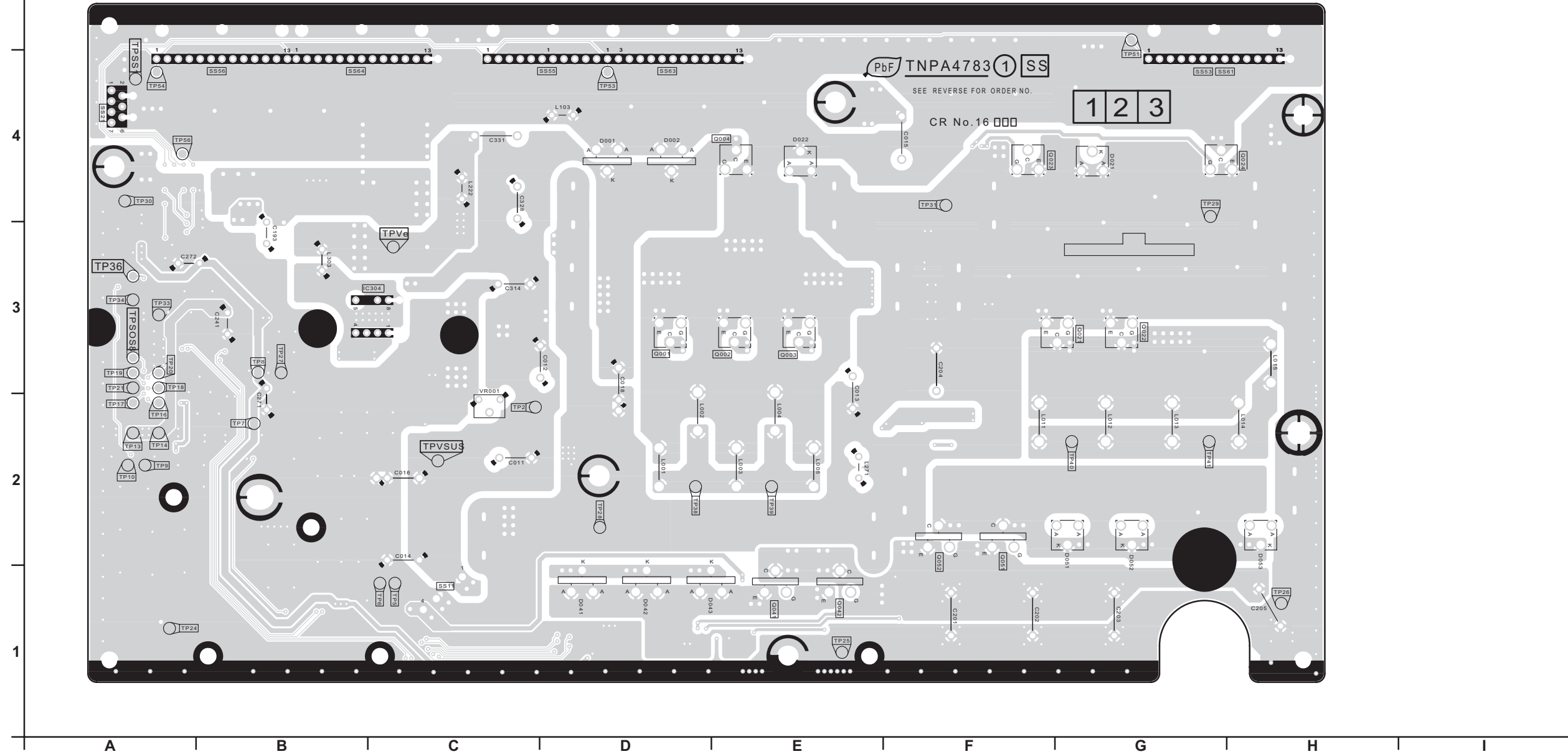
SS-BOARD (FOIL SIDE)					
IC		TEST POINT			
IC16304	C-3	TP2	C-2	TP26	H-1
TRANSISTOR		TP5	C-1	TP27	B-3
		TP6	C-1	TP28	D-2
Q16001	D-3	TP7	B-2	TP29	G-4
Q16002	E-3	TP8	B-3	TP30	A-4
Q16003	E-3	TP9	A-2	TP31	F-4
Q16004	E-4	TP10	A-2	TP33	A-3
Q16021	G-3	TP13	A-2	TP34	A-3
Q16022	G-3	TP14	A-2	TP36	A-3
Q16023	F-4	TP16	A-2	TP39	D-2
Q16024	H-4	TP17	A-2	TP40	E-2
Q16041	E-1	TP18	A-3	TP41	G-2
Q16042	E-1	TP19	A-3	TP51	G-4
Q16051	F-2	TP20	A-3	TP53	D-4
Q16052	F-2	TP21	A-3	TP54	A-4
		TP24	A-1	TP56	A-4

VOLUME	
VR16001	C-2



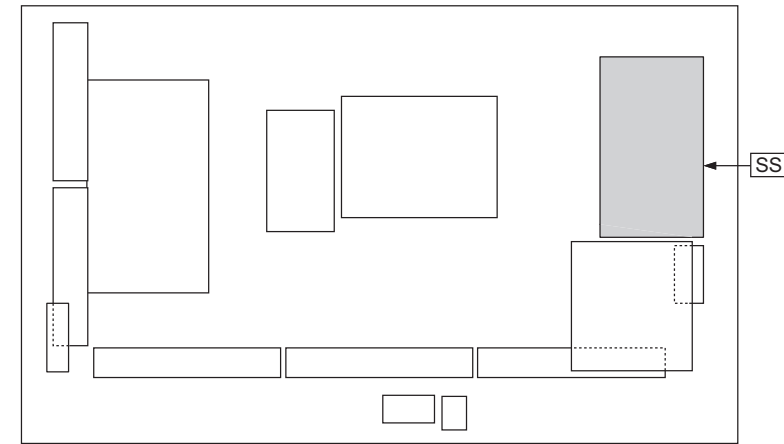
SS-BOARD (FOIL SIDE)  
TXNSS1ECUU



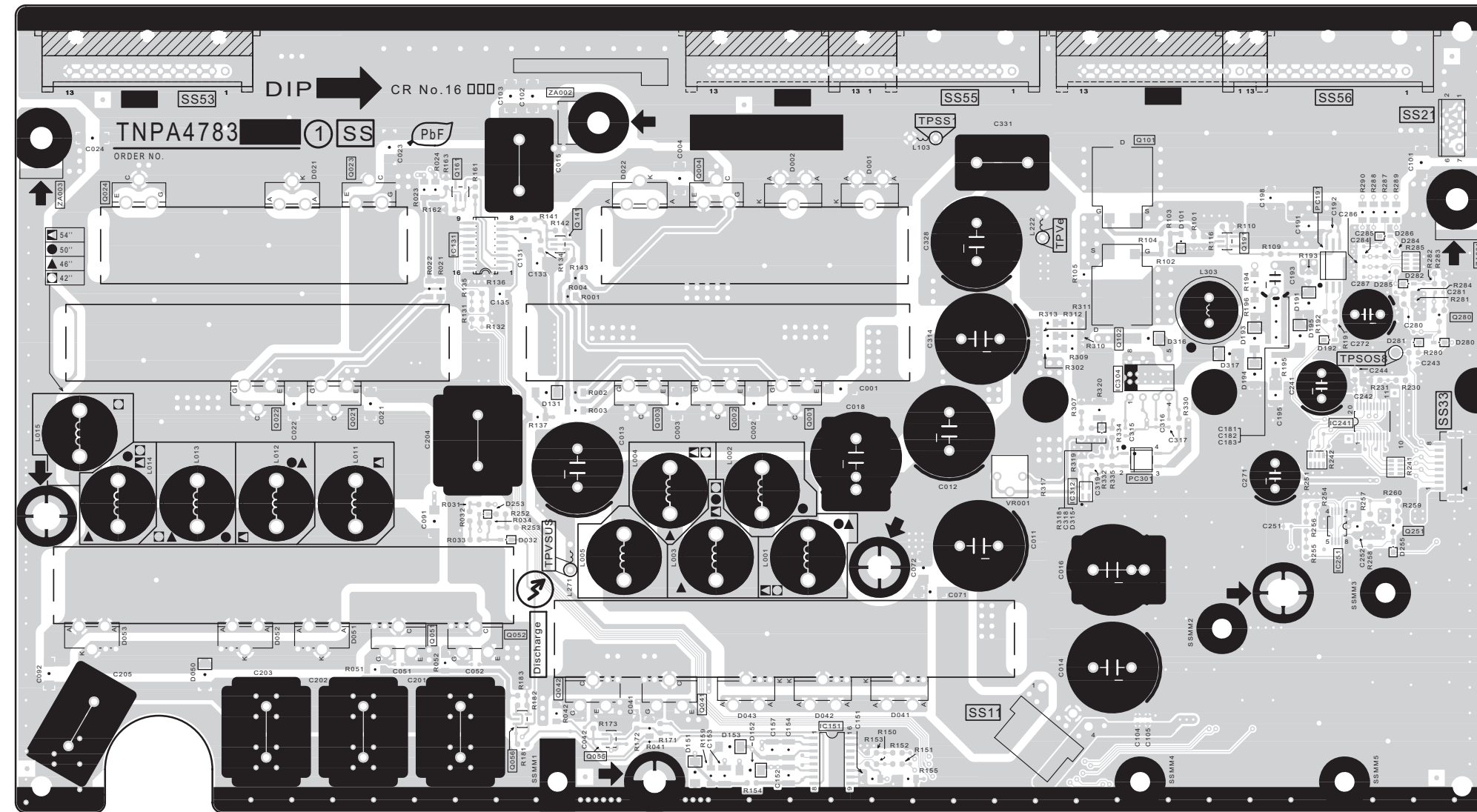
6  
5  
4  
3  
2  
1  
A B C D E F G H I

**Parts Location**

SS-BOARD (COMPONENT SIDE)							
IC		TRANSISTOR		TEST POINT			
IC16131	C-4	Q16001	E-3	Q16051	C-2	TPSS1	E-4
IC16151	E-1	Q16002	D-3	Q16052	C-2	TPSOS8	G-3
IC16241	G-3	Q16003	D-3	Q16056	C-1	TPVe	F-4
IC16251	G-2	Q16004	D-4	Q16101	F-4	TPVSUS	C-2
IC16304	F-3	Q16021	C-3	Q16102	F-3		
IC16312	F-2	Q16022	B-3	Q16141	D-4		
		Q16023	C-4	Q16161	C-4		
		Q16024	A-4	Q16191	G-4		
		Q16041	D-1	Q16251	H-2		
		Q16042	D-1	Q16280	H-3		
PHOTO COUPLER						VOLUME	
PC16191	G-4					VR16001	F-2
PC16301	F-2						



**SS-BOARD (COMPONENT SIDE)  
TXNSS1ECUU**

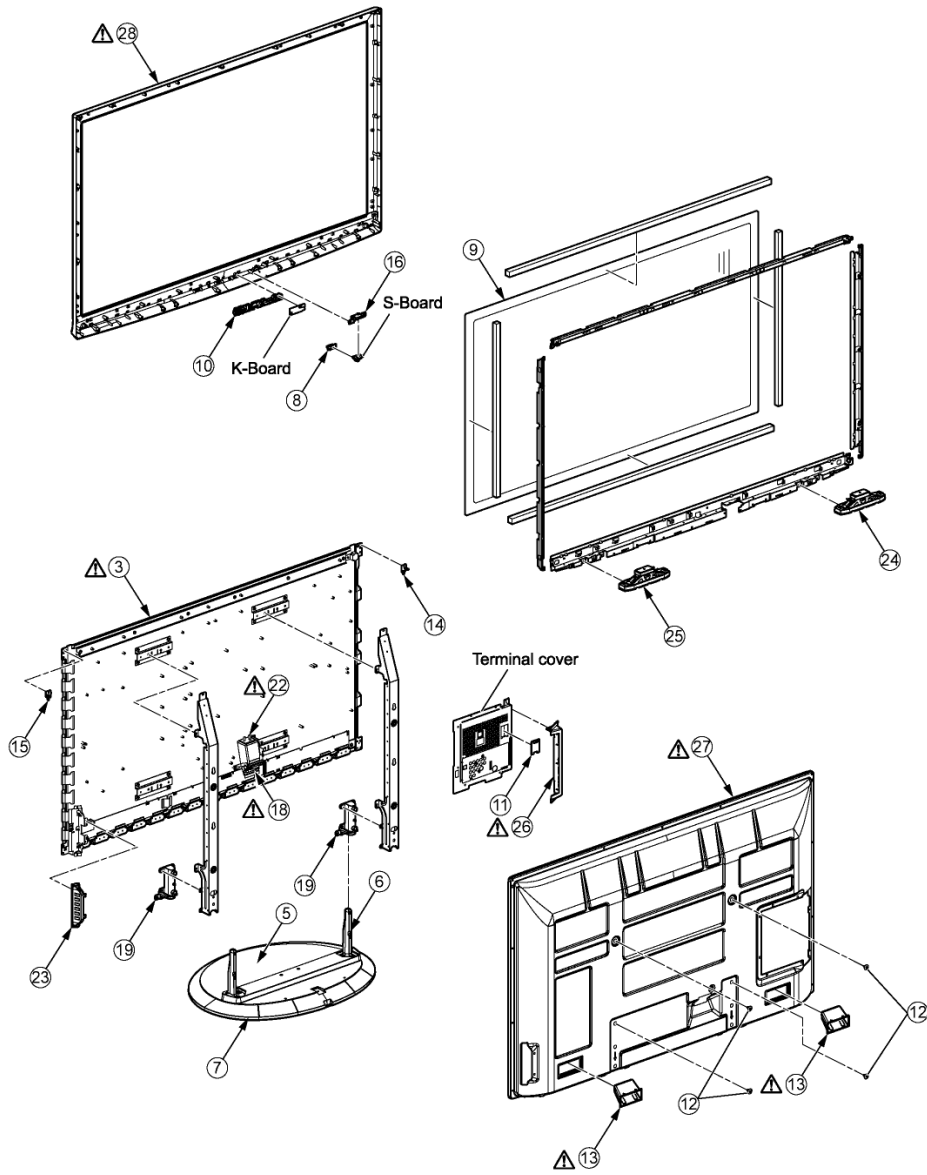




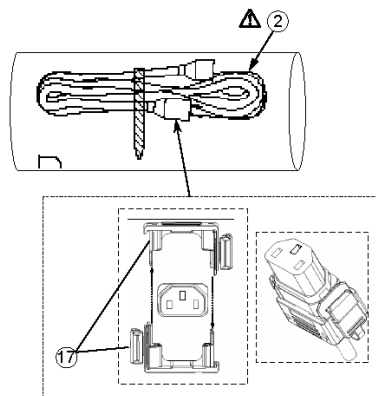
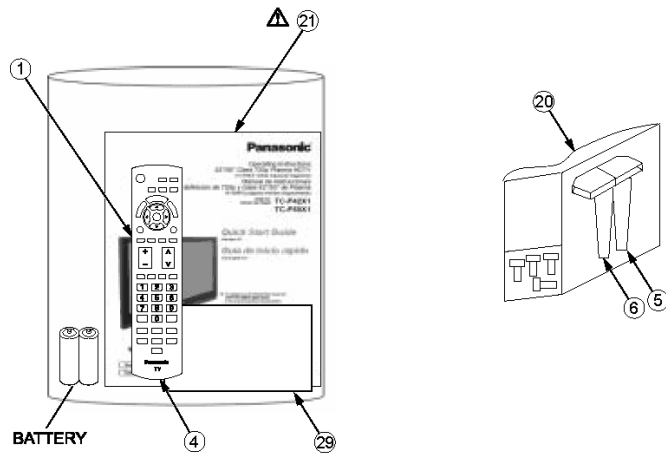
# 13 Exploded View and Replacement Parts List

## 13.1. Exploded View and Mechanical Replacement Parts List

### 13.1.1. Exploded View








### 13.1.2. Accessories









### 13.1.3. Mechanical Replacement Parts List

**Note:** All parts except parts mentioned [PAVCA] in the Remarks column are supplied by AVC-CSPC.  
Parts mentioned [PAVCA] are supplied by PAVCA.

Safety	Ref. No.	Part No.	Part Name & Description	Q'ty	Remarks
	1	10030-0048000	BATTERY COVER	1	PAVCA
	2	K2CG3YY00029	AC CORD	1	PAVCA
	3	MD54F12A1J	PLASMA DISPLAY PANEL	1	
	4	N2QAYB000322	REMOTE CONTROL	1	PAVCA
	5	TBLA3689	STAND POLE R	1	
	6	TBLA3690	STAND POLE L	1	
	7	TBLX0102	PEDESTAL STAND	1	PAVCA
	8	TBX2AA5301	POWER BUTTON	1	PAVCA
		THEJ016J	SCREW(AC INRET:2)	2	
		THEL0429	SCREW	11	
		THEL052Z	SCREW (BC TOP:4)	2	
		THTD020J	SCREW(A-PRINT:4)	8	
		THTF011N	SCREW	42	
		THTF013J	SCREW	2	
	9	TKGA5521S	FRONT GLASS	1	PAVCA
	10	TKK2AA9601	LED PANEL	1	PAVCA
	11	TKK2AA9801	ADJUSTMENT COVER	1	PAVCA
	12	TKKL5472	M8 CAP	4	
	13	TKR2AA00161	REAR COVER HANDLE	2	PAVCA
		TMM16473-1	CLAMPER	1	
		TMM23417	CLAMPER	2	
	14	TMM2AD01701A	REAR COVER HOOK L	1	PAVCA
	15	TMM2AD01702A	REAR COVER HOOK R	1	PAVCA
		TMME061	CLAMPER	3	
		TMME224	CLAMPER	7	
		TMME287	CLAMPER	2	
		TMME292	CLAMPER	1	
		TMME292	CLAMPER	1	
		TMME331	CLAMPER	1	
		TMME332	CLAMPER(SS:1)	1	
		TMME332	CLAMPER	1	
	16	TMW2AA011	POWER BUTTON BRACKET	1	PAVCA
		TMW2AF0151	TUNER MOUNTING BRACKET	1	PAVCA
	17	TMXX055	AC CORD CLAMPER	2	
	18	TMXX062	AC CODE HOLDER	1	
	19	TMZ2AX0391	STAND BRACKET	2	PAVCA
		TPD169487	JOINT	4	
	20	TPEB362	BAG (STAND ACCESSORY)	1	
	21	TQB2AA0808	INSTRUCTION BOOK (ENG/FRE/SPA)	1	PAVCA
		TSXL519	CABLE (SU11-SD11)	1	
		TSXL661	CABLE (C26-C36)	1	
		TSXL737	CABLE (C10-C20)	1	
		TSXL847	CABLE (A20-SC20)	1	PAVCA

Safety	Ref. No.	Part No.	Part Name & Description	Q'ty	Remarks
		TSXL848	CABLE (C11-A31)	1	PAVCA
		TSXL849	CABLE (C21-A32)	1	PAVCA
	22	TXALK01ECUU	AC INLET ASSY	1	PAVCA
	23	TXFBX02WSER	CONTROL BUTTON ASSY	1	PAVCA
	24	TXFEA01WSER	SPEAKER L ASSY	1	PAVCA
	25	TXFEA02WSER	SPEAKER R ASSY	1	PAVCA
	26	TXFKP04WSER	SIDE TERMINAL COVER ASSY	1	PAVCA
	27	TXFKU15WSER	REAR COVER	1	PAVCA
	28	TXFKY01DVUU	CABINET ASSY	1	PAVCA
	29	TXFPE01RLTU	CLEANING CLOTH ASSY	1	
		TXJA12DVUU	SPEAKER LEAD (A12-SPL)	1	PAVCA
		XSB3+6FJ	SCREW (LCD MTG)	3	
		XTB4+10JFJ	SCREW (STAND BRACKET)	4	
		XTB4+12GFJ	SCREW	29	
		XTB4+12GFJK	SCREW	15	
		XTW3+10TFJ	SCREW	1	
		XTWT4+Z15DFJ	SCREW (SP BOX)	4	
		XYN3+F8FJ	SCREW	1	
		XYN3+J12FJ	SCREW	55	
		XYN4+E8FJ	SCREW	1	
		XYN4+F10FJ	SCREW	21	

## 13.2. Electrical Replacement Parts List

### 13.2.1. Replacement Parts List Notes

#### RTL (Retention Time Limited)

**Note:** The marking (RTL) indicates that the Retention Time is Limited for this item.

After the discontinuation of this assembly in production, the item will continue to be available for a specific period of time. The retention period of availability is dependant on the type of assembly, and in accordance with the laws governing part and product retention. After the end of this period, the assembly will no longer be available.

Abbreviation of part name and description

#### 1. Resistor

Example:

ERD25TJ104    C 100KOHM, J, 1/4W  
                   Type            Allowance

#### 2. Capacitor

Example:

ECKF1H103ZF    C 0.01UF, Z, 50V  
                   Type            Allowance

Type	Allowance
C : Carbon	F : ±1%
F : Fuse	G : ±2%
M : Metal Oxide Metal Film	J : ±5%
S : Solid	K : ±10%
W : Wire Wound	M : ±20%

Type	Allowance
C : Ceramic	C : ±0.25pF
E : Electrolytic	D : ±0.5pF
P : Polyester	F : ±1pF
Polypropylene	G : ±3pF
Tantalum	J : ±5pF
Tantalum	K : ±10pF
Tantalum	L : ±15pF
Tantalum	M : ±20pF
Tantalum	P : +100%, -0%
Tantalum	Z : +80%, -20%

### 13.2.2. Electrical Replacement Parts List

**Note:** All parts except parts mentioned [PAVCA] in the Remarks column are supplied by AVC-CSPC.  
Parts mentioned [PAVCA] are supplied by PAVCA.

Safety	Ref. No.	Part No.	Part Name & Description	Pcs	Remarks
	A1	K1KA09A00220	9P CONNECTOR	1	
	A6	K1KA15A00148	15P CONNECTOR	1	
	A11	K1KA03AA0190	3P CONNECTOR	1	
	A12	K1KA02AA0180	2P CONNECTOR	1	
	A17	K1KA20AA0009	20P CONNECTOR	1	
	A18	K1KA11AA0715	11P CONNECTOR	1	
	A25	K1KA13A00152	13P CONNECTOR	1	
	A31	K1MY68BA0345	68P CONNECTOR	1	
	A32	K1MY68BA0345	68P CONNECTOR	1	
	A33	K1MY35BA0345	35P CONNECTOR	1	
	C10	K1MY55BA0345	55P CONNECTOR	1	
	C14	K1KA02A00787	2P CONNECTOR	1	
	C20	K1MY55BA0345	55P CONNECTOR	1	
	C21	K1MY68BA0345	68P CONNECTOR	1	
	C22	K1MY68BA0345	68P CONNECTOR	1	
	C26	K1MY68BA0345	68P CONNECTOR	1	
	C33	K1KA08B00270	8P CONNECTOR	1	
	C35	K1KA04BA0107	4P CONNECTOR	1	
	C36	K1MY68BA0345	68P CONNECTOR	1	
	C1102	FLJ0J106A020	C 0.010UF, K, 16V	1	
	C1103	FIG1C104A116	C 0.10UF, K, 16V	1	
	C1104	FIG1C104A116	C 0.10UF, K, 16V	1	
	C1105	FIG1E103A123	C 0.010UF, K, 25V	1	
	C1106	FIG1H270A731	C 27UF, 50V	1	
	C1107	FIG1H180A731	C 18UF, 50V	1	
	C1108	FIG1C104A116	C 0.10UF, K, 16V	1	
	C1109	FIH1A1050032	C 10UF, 50V	1	
	C1111	FIH1A1050032	C 10UF, 50V	1	
	C1112	FIG1C104A116	C 0.10UF, K, 16V	1	
	C1114	FIG1C104A116	C 0.10UF, K, 16V	1	
	C1117	FIG1C104A116	C 0.10UF, K, 16V	1	
	C1122	FIG1C103A116	C 0.010UF, K, 16V	1	
	C1123	FIH1A1050032	C 10UF, 50V	1	
	C1202	FIG1C104A116	C 0.10UF, K, 16V	1	
	C2023	FIG1C104A116	C 0.10UF, K, 16V	1	
	C2049	FIG1C104A116	C 0.10UF, K, 16V	1	
	C2050	FIG1C104A116	C 0.10UF, K, 16V	1	
	C2055	FIG1H150A731	C 15UF, 50V	1	
	C2056	FIG1H150A731	C 15UF, 50V	1	
	C2058	FIG1C104A116	C 0.10UF, K, 16V	1	
	C2059	FLJ1A106A043	C 0.010UF, K, 10V	1	
	C2102	FIG1C104A116	C 0.10UF, K, 16V	1	
	C2105	FIG1C104A116	C 0.10UF, K, 16V	1	
	C2106	FIG1C104A116	C 0.10UF, K, 16V	1	
	C2107	FLJ1A106A043	C 0.010UF, K, 10V	1	
	C2108	FLJ1A106A043	C 0.010UF, K, 10V	1	
	C2111	FLJ1A475A039	C 4.7UF, K, 10V	1	
	C2118	FLJ1A475A039	C 4.7UF, K, 10V	1	
	C2125	FIG1E103A123	C 0.010UF, K, 25V	1	
	C2127	FIG1E103A123	C 0.010UF, K, 25V	1	
	C2128	FIG1C103A116	C 0.010UF, K, 16V	1	
	C2129	FIG1C103A116	C 0.010UF, K, 16V	1	

Safety	Ref. No.	Part No.	Part Name & Description	Pcs	Remarks
	C2135	FIG1E103A123	C 0.010UF, K, 25V	1	
	C2136	FIG1E103A123	C 0.010UF, K, 25V	1	
	C2192	FLJ1A106A043	C 0.010UF, K, 10V	1	
	C2216	FIG1C104A116	C 0.10UF, K, 16V	1	
	C2244	FIG1C104A116	C 0.10UF, K, 16V	1	
	C2245	FIG1H102A730	C 1000UF, 50V	1	
	C2251	FLJ1A106A043	C 0.010UF, K, 10V	1	
	C2263	FLJ1A106A043	C 0.010UF, K, 10V	1	
	C2264	FLJ1A106A043	C 0.010UF, K, 10V	1	
	C2301	FIG1C104A116	C 0.10UF, K, 16V	1	
	C2302	FIG1C104A116	C 0.10UF, K, 16V	1	
	C2303	FLJ1E105A171	C 1 UF 25V	1	
	C2305	FLJ1E105A171	C 1 UF 25V	1	
	C2307	FLJ1E105A171	C 1 UF 25V	1	
	C2309	FLJ1E105A171	C 1 UF 25V	1	
	C2313	FIH1A1050032	C 10UF, 50V	1	
	C2317	FIH1H104A970	C 0.1UF, K, 50V	1	
	C2319	FIH1H104A970	C 0.1UF, K, 50V	1	
	C2321	FIH1H104A970	C 0.1UF, K, 50V	1	
	C2323	FIH1H104A970	C 0.1UF, K, 50V	1	
	C2333	FLJ1E3340003	C 0.33UF, Z, 25V	1	
	C2335	FLJ1E3340003	C 0.33UF, Z, 25V	1	
	C2337	FIH1H223A970	C 0.22UF, K, 50V	1	
	C2339	FIH1H223A970	C 0.22UF, K, 50V	1	
	C2341	FLJ1E3340003	C 0.33UF, Z, 25V	1	
	C2343	FLJ1E3340003	C 0.33UF, Z, 25V	1	
	C2345	FIH1H223A970	C 0.22UF, K, 50V	1	
	C2347	FIH1H223A970	C 0.22UF, K, 50V	1	
	C2353	FIH1H104A970	C 0.1UF, K, 50V	1	
	C2359	FIH1H104A970	C 0.1UF, K, 50V	1	
	C2375	FIH1H223A970	C 0.22UF, K, 50V	1	
	C2377	FIH1H223A970	C 0.22UF, K, 50V	1	
	C2379	FIH1H223A970	C 0.22UF, K, 50V	1	
	C2381	FIH1H223A970	C 0.22UF, K, 50V	1	
	C2383	FIG1H102A730	C 1000UF, 50V	1	
	C2385	FIG1H102A730	C 1000UF, 50V	1	
	C2387	FIG1H102A730	C 1000UF, 50V	1	
	C2389	FIG1H102A730	C 1000UF, 50V	1	
	C2512	ECJ3XB0J106M	C 10UF, M, 6.3V	1	
	C2522	FIH1C104A143	C 0.1UF, K, 16V	1	
	C3001	FLJ1A106A043	C 0.010UF, K, 10V	1	
	C3006	FLJ1A106A043	C 0.010UF, K, 10V	1	
	C3007	FLJ1A106A043	C 0.010UF, K, 10V	1	
	C3010	FIG1C103A116	C 0.010UF, K, 16V	1	
	C3013	FLJ1A106A043	C 0.010UF, K, 10V	1	
	C3015	FLJ1A106A043	C 0.010UF, K, 10V	1	
	C3017	FIG1C104A116	C 0.10UF, K, 16V	1	
	C3019	FIG1C104A116	C 0.10UF, K, 16V	1	
	C3022	FIG1C104A116	C 0.10UF, K, 16V	1	
	C3023	FLJ1A106A043	C 0.010UF, K, 10V	1	
	C3024	FIH1A1050032	C 10UF, 50V	1	
	C3025	FIH1A1050032	C 10UF, 50V	1	
	C3026	FIH1A1050032	C 10UF, 50V	1	
	C3027	FIH1A1050032	C 10UF, 50V	1	

Safety	Ref. No.	Part No.	Part Name & Description	Pcs	Remarks
	C3028	F1H1A1050032	C 10UF, 50V	1	
	C3029	F1H1A1050032	C 10UF, 50V	1	
	C3030	F1H1A1050032	C 10UF, 50V	1	
	C3031	F1H1A1050032	C 10UF, 50V	1	
	C3032	F1H1A1050032	C 10UF, 50V	1	
	C3033	F1H1A1050032	C 10UF, 50V	1	
	C3034	F1H1A1050032	C 10UF, 50V	1	
	C3035	F1H1A1050032	C 10UF, 50V	1	
	C3042	FLJ1A106A043	C 0.010UF, K, 10V	1	
	C3043	FLJ1A106A043	C 0.010UF, K, 10V	1	
	C3044	FLJ1A106A043	C 0.010UF, K, 10V	1	
	C3045	FLJ1A106A043	C 0.010UF, K, 10V	1	
	C3046	FLJ1A106A043	C 0.010UF, K, 10V	1	
	C3047	FLJ1A106A043	C 0.010UF, K, 10V	1	
	C3049	F2G1A101A019	E 100UF, 10V	1	
	C3050	FIG1C104A116	C 0.10UF, K, 16V	1	
	C3057	FLJ1A106A043	C 0.010UF, K, 10V	1	
	C3059	FLJ1A106A043	C 0.010UF, K, 10V	1	
	C3061	FLJ1A106A043	C 0.010UF, K, 10V	1	
	C3123	FLJ1A106A043	C 0.010UF, K, 10V	1	
	C3124	FLJ1A106A043	C 0.010UF, K, 10V	1	
	C3130	FIG1H102A730	C 1000UF, 50V	1	
	C3131	FIG1H102A730	C 1000UF, 50V	1	
	C3132	FIG1H102A730	C 1000UF, 50V	1	
	C3133	FIG1H102A730	C 1000UF, 50V	1	
	C3134	FIG1H102A730	C 1000UF, 50V	1	
	C3135	FIG1H102A730	C 1000UF, 50V	1	
	C3136	FIG1H101A731	C 100PF, K, 50V	1	
	C3137	FIG1H101A731	C 100PF, K, 50V	1	
	C3157	FIG1C104A116	C 0.10UF, K, 16V	1	
	C3530	EEFEG1E471P	E 470UF, 25V	1	
	C3532	FK1E106A136	C 10UF, Z, 25V	1	
	C3702	FIG1H102A730	C 1000UF, 50V	1	
	C3704	FIG1H102A730	C 1000UF, 50V	1	
	C3752	FLJ1H102A836	C 1000UF, 50V	1	
	C4075	FIG1C104A116	C 0.10UF, K, 16V	1	
	C4500	FIG1C104A116	C 0.10UF, K, 16V	1	
	C4501	FIG1C104A116	C 0.10UF, K, 16V	1	
	C4502	FIG1C104A116	C 0.10UF, K, 16V	1	
	C4503	FIG1C104A116	C 0.10UF, K, 16V	1	
	C4510	FIG1C104A116	C 0.10UF, K, 16V	1	
	C4511	FIG1C104A116	C 0.10UF, K, 16V	1	
	C4533	FIG1H680A731	C 68UF, 50V	1	
	C4534	FIG1C104A116	C 0.10UF, K, 16V	1	
	C4535	FIG1C104A116	C 0.10UF, K, 16V	1	
	C4547	FIG1C104A116	C 0.10UF, K, 16V	1	
	C4548	FIG1C104A116	C 0.10UF, K, 16V	1	
	C4549	FIG1C104A116	C 0.10UF, K, 16V	1	
	C4550	FIG1C104A116	C 0.10UF, K, 16V	1	
	C4551	FIG1C104A116	C 0.10UF, K, 16V	1	
	C4552	FIG1C104A116	C 0.10UF, K, 16V	1	
	C4553	FIG1H102A730	C 1000UF, 50V	1	
	C4554	FLJ1A106A043	C 0.010UF, K, 10V	1	
	C4555	FLJ1A106A043	C 0.010UF, K, 10V	1	
	C4574	FIG1C104A116	C 0.10UF, K, 16V	1	
	C4575	FIG1C104A116	C 0.10UF, K, 16V	1	
	C4580	FIG1C104A116	C 0.10UF, K, 16V	1	
	C4585	FIG1C104A116	C 0.10UF, K, 16V	1	
	C4595	FIG1C104A116	C 0.10UF, K, 16V	1	
	C4596	FIG1C104A116	C 0.10UF, K, 16V	1	
	C4598	FLJ1A106A043	C 0.010UF, K, 10V	1	

Safety	Ref. No.	Part No.	Part Name & Description	Pcs	Remarks
	C4599	FLJ1A106A043	C 0.010UF, K, 10V	1	
	C4600	FIG1C104A116	C 0.10UF, K, 16V	1	
	C4601	FLJ1A106A043	C 0.010UF, K, 10V	1	
	C4602	FIG1C104A116	C 0.10UF, K, 16V	1	
	C4603	FLJ1A475A039	C 4.7UF, K, 10V	1	
	C4605	FLJ1A475A039	C 4.7UF, K, 10V	1	
	C4606	FLJ1A475A039	C 4.7UF, K, 10V	1	
	C4607	FLJ1A475A039	C 4.7UF, K, 10V	1	
	C4608	FIG1C104A116	C 0.10UF, K, 16V	1	
	C4613	F1H1A1050032	C 10UF, 50V	1	
	C4614	FIG1C104A116	C 0.10UF, K, 16V	1	
	C4616	FLJ1A475A039	C 4.7UF, K, 10V	1	
	C4617	FLJ1A475A039	C 4.7UF, K, 10V	1	
	C4619	FIG1C104A116	C 0.10UF, K, 16V	1	
	C4624	FIG1C104A116	C 0.10UF, K, 16V	1	
	C4625	FIG1C104A116	C 0.10UF, K, 16V	1	
	C4626	FIG1C104A116	C 0.10UF, K, 16V	1	
	C4628	FIG1C104A116	C 0.10UF, K, 16V	1	
	C4629	FIG1C104A116	C 0.10UF, K, 16V	1	
	C4630	FIG1C104A116	C 0.10UF, K, 16V	1	
	C4631	FLJ1A106A043	C 0.010UF, K, 10V	1	
	C4632	FIG1C104A116	C 0.10UF, K, 16V	1	
	C4633	FLJ1A106A043	C 0.010UF, K, 10V	1	
	C4634	FIG1C104A116	C 0.10UF, K, 16V	1	
	C4635	FLJ1A106A043	C 0.010UF, K, 10V	1	
	C4636	FIG1C104A116	C 0.10UF, K, 16V	1	
	C4637	FIG1C104A116	C 0.10UF, K, 16V	1	
	C4638	FIG1C104A116	C 0.10UF, K, 16V	1	
	C4640	FIG1C104A116	C 0.10UF, K, 16V	1	
	C4642	FIG1C104A116	C 0.10UF, K, 16V	1	
	C4643	FIG1C104A116	C 0.10UF, K, 16V	1	
	C4644	FIG1C104A116	C 0.10UF, K, 16V	1	
	C4645	FIG1C104A116	C 0.10UF, K, 16V	1	
	C4711	FIG1C104A116	C 0.10UF, K, 16V	1	
	C4712	FIG1C104A116	C 0.10UF, K, 16V	1	
	C4713	FIG1H102A730	C 1000UF, 50V	1	
	C4714	FIG1H102A730	C 1000UF, 50V	1	
	C4715	FIG1C104A116	C 0.10UF, K, 16V	1	
	C4716	FIG1H102A730	C 1000UF, 50V	1	
	C4717	FIG1H102A730	C 1000UF, 50V	1	
	C4718	FIG1H102A730	C 1000UF, 50V	1	
	C4719	FIG1H102A730	C 1000UF, 50V	1	
	C4721	FIG1C104A116	C 0.10UF, K, 16V	1	
	C4722	FIG1H102A730	C 1000UF, 50V	1	
	C4724	FIG1H102A730	C 1000UF, 50V	1	
	C4725	FIG1C104A116	C 0.10UF, K, 16V	1	
	C4726	FIG1C104A116	C 0.10UF, K, 16V	1	
	C4727	FIG1C104A116	C 0.10UF, K, 16V	1	
	C4728	FIG1C104A116	C 0.10UF, K, 16V	1	
	C4730	FIG1H102A730	C 1000UF, 50V	1	
	C4731	FIG1C104A116	C 0.10UF, K, 16V	1	
	C4732	FIG1H102A730	C 1000UF, 50V	1	
	C4733	FIG1C104A116	C 0.10UF, K, 16V	1	
	C4734	FIG1C104A116	C 0.10UF, K, 16V	1	
	C4741	FIG1H102A730	C 1000UF, 50V	1	
	C4742	FIG1C104A116	C 0.10UF, K, 16V	1	
	C4743	FIG1H102A730	C 1000UF, 50V	1	
	C4744	FIG1C104A116	C 0.10UF, K, 16V	1	
	C4745	FIG1C104A116	C 0.10UF, K, 16V	1	
	C4746	FIG1H102A730	C 1000UF, 50V	1	
	C4751	FIG1C104A116	C 0.10UF, K, 16V	1	
	C4752	FIG1C104A116	C 0.10UF, K, 16V	1	
	C4753	FIG1C104A116	C 0.10UF, K, 16V	1	
	C4754	FIG1C104A116	C 0.10UF, K, 16V	1	
	C4755	FIG1C104A116	C 0.10UF, K, 16V	1	
	C4761	FIG1H103A735	C 0.01UF, 50V	1	
	C4762	FIG1H103A735	C 0.01UF, 50V	1	
	C4763	FIG1H103A735	C 0.01UF, 50V	1	
	C4771	FIG1H102A730	C 1000UF, 50V	1	

Safety	Ref. No.	Part No.	Part Name & Description	Pcs	Remarks
	C4772	FIG1C104A116	C 0.10UF, K, 16V	1	
	C4773	FIG1H102A730	C 1000UF, 50V	1	
	C4774	FIG1C104A116	C 0.10UF, K, 16V	1	
	C4775	FIG1C104A116	C 0.10UF, K, 16V	1	
	C4776	FIG1H102A730	C 1000UF, 50V	1	
	C4777	FIG1C104A116	C 0.10UF, K, 16V	1	
	C4778	FIG1C104A116	C 0.10UF, K, 16V	1	
	C4779	FIG1C104A116	C 0.10UF, K, 16V	1	
	C4795	FIG1H102A730	C 1000UF, 50V	1	
	C4796	FIG1H102A730	C 1000UF, 50V	1	
	C4797	FIG1H102A730	C 1000UF, 50V	1	
	C4798	FIG1H102A730	C 1000UF, 50V	1	
	C4830	FIG1C104A116	C 0.10UF, K, 16V	1	
	C5001	FIG1C104A116	C 0.10UF, K, 16V	1	
	C5002	FIG1C104A116	C 0.10UF, K, 16V	1	
	C5003	FIG1C104A116	C 0.10UF, K, 16V	1	
	C5004	FIG1C104A116	C 0.10UF, K, 16V	1	
	C5005	FIH1A1050032	C 10UF, 50V	1	
	C5006	FIH1A1050032	C 10UF, 50V	1	
	C5007	FLJ1A106A043	C 0.010UF, K, 10V	1	
	C5008	FIG1C104A116	C 0.10UF, K, 16V	1	
	C5009	FIG1C104A116	C 0.10UF, K, 16V	1	
	C5010	FIG1C104A116	C 0.10UF, K, 16V	1	
	C5011	FIG1C104A116	C 0.10UF, K, 16V	1	
	C5012	FIG1C104A116	C 0.10UF, K, 16V	1	
	C5013	FLJ1A106A043	C 0.010UF, K, 10V	1	
	C5014	FIG1C104A116	C 0.10UF, K, 16V	1	
	C5015	FIG1C104A116	C 0.10UF, K, 16V	1	
	C5016	FLJ1A106A043	C 0.010UF, K, 10V	1	
	C5017	FIG1C104A116	C 0.10UF, K, 16V	1	
	C5018	FIG1C104A116	C 0.10UF, K, 16V	1	
	C5019	FIG1C104A116	C 0.10UF, K, 16V	1	
	C5020	FIG1C104A116	C 0.10UF, K, 16V	1	
	C5021	FIH1A1050032	C 10UF, 50V	1	
	C5022	FIH1A1050032	C 10UF, 50V	1	
	C5023	FIH1A1050032	C 10UF, 50V	1	
	C5024	FIH1A1050032	C 10UF, 50V	1	
	C5025	FLJ1A106A043	C 0.010UF, K, 10V	1	
	C5026	FLJ1A106A043	C 0.010UF, K, 10V	1	
	C5027	FIG1C104A116	C 0.10UF, K, 16V	1	
	C5028	FIG1C104A116	C 0.10UF, K, 16V	1	
	C5029	FIG1C104A116	C 0.10UF, K, 16V	1	
	C5030	FIG1C104A116	C 0.10UF, K, 16V	1	
	C5031	FIG1C104A116	C 0.10UF, K, 16V	1	
	C5032	FIG1C104A116	C 0.10UF, K, 16V	1	
	C5033	FIH1A1050032	C 10UF, 50V	1	
	C5034	FIH1A1050032	C 10UF, 50V	1	
	C5035	FIH1A1050032	C 10UF, 50V	1	
	C5036	FIH1A1050032	C 10UF, 50V	1	
	C5037	FIH1A1050032	C 10UF, 50V	1	
	C5038	FIH1A1050032	C 10UF, 50V	1	
	C5039	FLJ1A106A043	C 0.010UF, K, 10V	1	
	C5040	FLJ1A106A043	C 0.010UF, K, 10V	1	
	C5041	FLJ1A106A043	C 0.010UF, K, 10V	1	
	C5042	FIG1C104A116	C 0.10UF, K, 16V	1	
	C5043	FIG1C104A116	C 0.10UF, K, 16V	1	
	C5044	FIH1A1050032	C 10UF, 50V	1	
	C5045	FIH1A1050032	C 10UF, 50V	1	
	C5046	FLJ1A106A043	C 0.010UF, K, 10V	1	
	C5047	FIH1A1050032	C 10UF, 50V	1	
	C5048	FIH1A225A051	C 22UF, 50V	1	
	C5049	FIG1C104A116	C 0.10UF, K, 16V	1	
	C5050	FIH1A1050032	C 10UF, 50V	1	
	C5051	FLJ1A106A043	C 0.010UF, K, 10V	1	

Safety	Ref. No.	Part No.	Part Name & Description	Pcs	Remarks
	C5052	FLJ1A106A043	C 0.010UF, K, 10V	1	
	C5053	FIG1C104A116	C 0.10UF, K, 16V	1	
	C5054	FIG1C104A116	C 0.10UF, K, 16V	1	
	C5055	FIG1C104A116	C 0.10UF, K, 16V	1	
	C5056	FIG1C104A116	C 0.10UF, K, 16V	1	
	C5057	FIG1C104A116	C 0.10UF, K, 16V	1	
	C5058	ECGRLOG680ER	C 68UF, J, 4V	1	
	C5059	FIG1C104A116	C 0.10UF, K, 16V	1	
	C5060	FIG1C104A116	C 0.10UF, K, 16V	1	
	C5061	FIG1C104A116	C 0.10UF, K, 16V	1	
	C5062	FIG1C104A116	C 0.10UF, K, 16V	1	
	C5063	FIG1C104A116	C 0.10UF, K, 16V	1	
	C5064	FIG1C104A116	C 0.10UF, K, 16V	1	
	C5065	FIG1C104A116	C 0.10UF, K, 16V	1	
	C5066	FIG1C104A116	C 0.10UF, K, 16V	1	
	C5067	FIG1C104A116	C 0.10UF, K, 16V	1	
	C5072	FIG1C104A116	C 0.10UF, K, 16V	1	
	C5073	FIH1A225A051	C 22UF, 50V	1	
	C5075	FIG1C104A116	C 0.10UF, K, 16V	1	
	C5076	FIG1C104A116	C 0.10UF, K, 16V	1	
	C5077	FIG1C104A116	C 0.10UF, K, 16V	1	
	C5078	FIG1C104A116	C 0.10UF, K, 16V	1	
	C5079	FLJ1A106A043	C 0.010UF, K, 10V	1	
	C5080	FLJ1A106A043	C 0.010UF, K, 10V	1	
	C5081	FLJ1A106A043	C 0.010UF, K, 10V	1	
	C5082	FIG1C104A116	C 0.10UF, K, 16V	1	
	C5083	FIG1C104A116	C 0.10UF, K, 16V	1	
	C5200	F1H1H180A971	C 18PF, K, 50V	1	
	C5201	F1H1H180A971	C 18PF, K, 50V	1	
	C5210	FIG1C104A116	C 0.10UF, K, 16V	1	
	C5301	FIH1A1050032	C 10UF, 50V	1	
	C5302	FIG1C104A116	C 0.10UF, K, 16V	1	
	C5303	FIH1A1050032	C 10UF, 50V	1	
	C5305	FIG1C104A116	C 0.10UF, K, 16V	1	
	C5418	FLJ1E105A171	C 1 UF 25V	1	
	C5420	FLH1C105A145	C 0.01UF, K, 16V	1	
	C5513	FIH1A1050032	C 10UF, 50V	1	
	C5514	FIH1A1050032	C 10UF, 50V	1	
	C5515	FIG1C104A116	C 0.10UF, K, 16V	1	
	C5516	EEEB1C101UP	C 100PF, J, 16V	1	
	C5518	FIG1C104A116	C 0.10UF, K, 16V	1	
	C5521	FIG1C104A116	C 0.10UF, K, 16V	1	
	C5522	FIG1C104A116	C 0.10UF, K, 16V	1	
	C5525	F1H1A334A084	C 0.33UF, K, 50V	1	
	C5526	FIH1A1050032	C 10UF, 50V	1	
	C5527	FLJ1H474A757	C 0.47UF, 50V	1	
	C5528	FLJ1H474A757	C 0.47UF, 50V	1	
	C5531	FLG1H820A731	C 82UF, 50V	1	
	C5532	F2G1V220A020	E 22UF, 35V	1	
	C5533	FIG1H102A730	C 1000UF, 50V	1	
	C5534	FIG1E392A123	C 3900UF, Z, 25V	1	
	C5535	FLJ1A106A043	C 0.010UF, K, 10V	1	
	C5536	F2G0J470A019	E 47UF 6.3V	1	
	C5652	FIG1H102A730	C 1000UF, 50V	1	
	C5663	FLJ1A106A043	C 0.010UF, K, 10V	1	
	C5664	FLJ1A106A043	C 0.010UF, K, 10V	1	
	C5667	FIG1H101A731	C 100PF, K, 50V	1	
	C5689	ECGRLOG680ER	C 68UF, J, 4V	1	
	C5690	FIG1C104A116	C 0.10UF, K, 16V	1	
	C5691	FIG1E6820007	C 6800UF, Z, 25V	1	
	C5692	FLJ1A475A039	C 4.7UF, K, 10V	1	
	C5693	FLH1C105A145	C 0.01UF, K, 16V	1	
	C5694	FIG1H221A459	C 220UF, 50V	1	
	C5697	FLK1E106A136	C 10UF, Z, 25V	1	
	C5698	FLK1E106A136	C 10UF, Z, 25V	1	
	C5699	FLK1E106A136	C 10UF, Z, 25V	1	
	C5700	FIG1C273A081	C 0.027UF, K, 16V	1	

Safety	Ref. No.	Part No.	Part Name & Description	Pcs	Remarks
	C5701	FK1E106A136	C 10UF, Z, 25V	1	
	C5702	FK1E106A136	C 10UF, Z, 25V	1	
	C5703	F1H1E104A129	C 0.1UF, 25V	1	
	C5704	FIG1C103A116	C 0.010UF, K, 16V	1	
	C5705	FIG1A475A039	C 4.7UF, K, 10V	1	
	C5706	FIG1H221A459	C 220UF, 50V	1	
	C5707	FIG1H471A730	C 470UF, 50V	1	
	C5708	FIG1C104A116	C 0.10UF, K, 16V	1	
	C5709	FIG1C104A116	C 0.10UF, K, 16V	1	
	C5710	ECGRL0E680ER	C 68UF, J, 2.5V	1	
	C5711	ECGRL0E680ER	C 68UF, J, 2.5V	1	
	C5713	F2G1E470A021	C 47PF, J, 25V	1	
	C5714	FIG1E105A171	C 1 UF 25V	1	
	C5718	FIG1C104A116	C 0.10UF, K, 16V	1	
	C5719	FIG1C104A116	C 0.10UF, K, 16V	1	
	C5720	FIG1C104A116	C 0.10UF, K, 16V	1	
	C5721	FIG1C104A116	C 0.10UF, K, 16V	1	
	C5722	FIG1C104A116	C 0.10UF, K, 16V	1	
	C5723	FIG1C104A116	C 0.10UF, K, 16V	1	
	C5724	FK1E106A136	C 10UF, Z, 25V	1	
	C5725	F1H1E104A129	C 0.1UF, 25V	1	
	C5726	F1H1C105A145	C 0.01UF, K, 16V	1	
	C5727	FIG1C103A116	C 0.010UF, K, 16V	1	
	C5728	FIG1H471A730	C 470UF, 50V	1	
	C5729	FIG1C104A116	C 0.10UF, K, 16V	1	
	C5730	F2H0J1010009	C 100UF, 6.3V	1	
	C5732	FIG1C104A116	C 0.10UF, K, 16V	1	
	C5733	FK1E106A136	C 10UF, Z, 25V	1	
	C5734	FK1E106A136	C 10UF, Z, 25V	1	
	C5736	FIG1A106A043	C 0.010UF, K, 10V	1	
	C5737	F1H1A225A051	C 22UF, 50V	1	
	C5739	FIG1E103A123	C 0.010UF, K, 25V	1	
	C5740	FIG1A473A053	C 0.47UF, 10V	1	
	C5741	FIG1C103A116	C 0.010UF, K, 16V	1	
	C5742	FIG1E103A123	C 0.010UF, K, 25V	1	
	C5751	FIG1C104A116	C 0.10UF, K, 16V	1	
	C5752	FIG1C104A116	C 0.10UF, K, 16V	1	
	C5761	FIG1C104A116	C 0.10UF, K, 16V	1	
	C5764	FIG1C104A116	C 0.10UF, K, 16V	1	
	C5852	FK1E106A136	C 10UF, Z, 25V	1	
	C5853	FK1E106A136	C 10UF, Z, 25V	1	
	C5854	FIG1C273A081	C 0.027UF, K, 16V	1	
	C5855	FK1E106A136	C 10UF, Z, 25V	1	
	C5856	FK1E106A136	C 10UF, Z, 25V	1	
	C5857	F1H1E104A129	C 0.1UF, 25V	1	
	C5858	FIG1C103A116	C 0.010UF, K, 16V	1	
	C5859	FIG1A475A039	C 4.7UF, K, 10V	1	
	C5860	FIG1H221A459	C 220UF, 50V	1	
	C5861	FIG1H471A730	C 470UF, 50V	1	
	C5862	FIG1C104A116	C 0.10UF, K, 16V	1	
	C5863	FIG1C104A116	C 0.10UF, K, 16V	1	
	C5864	ECGRL0E680ER	C 68UF, J, 2.5V	1	
	C5865	ECGRL0E680ER	C 68UF, J, 2.5V	1	
	C5867	FIG1E105A171	C 1 UF 25V	1	
	C5869	FIG1C104A116	C 0.10UF, K, 16V	1	
	C5870	F1H1C105A145	C 0.01UF, K, 16V	1	
	C5871	F2G1E470A021	C 47PF, J, 25V	1	
	C8003	F1H1A1050032	C 10UF, 50V	1	
	C8005	F1H1A1050032	C 10UF, 50V	1	
	C8006	FIG1C104A116	C 0.10UF, K, 16V	1	
	C8007	FIG1C104A116	C 0.10UF, K, 16V	1	
	C8008	FIG1C104A116	C 0.10UF, K, 16V	1	
	C8009	FIG1A106A043	C 0.010UF, K, 10V	1	
	C8010	FIG1A106A043	C 0.010UF, K, 10V	1	
	C8011	FIG1C104A116	C 0.10UF, K, 16V	1	

Safety	Ref. No.	Part No.	Part Name & Description	Pcs	Remarks
	C8012	FIG1C104A116	C 0.10UF, K, 16V	1	
	C8013	FIG1C104A116	C 0.10UF, K, 16V	1	
	C8014	FIG1C104A116	C 0.10UF, K, 16V	1	
	C8015	F1H1A1050032	C 10UF, 50V	1	
	C8016	F1H1A1050032	C 10UF, 50V	1	
	C8017	FIG1A106A043	C 0.010UF, K, 10V	1	
	C8018	FIG1C104A116	C 0.10UF, K, 16V	1	
	C8019	FIG1C104A116	C 0.10UF, K, 16V	1	
	C8020	FIG1C104A116	C 0.10UF, K, 16V	1	
	C8021	FIG1C104A116	C 0.10UF, K, 16V	1	
	C8022	F1H1A1050032	C 10UF, 50V	1	
	C8023	FIG1A106A043	C 0.010UF, K, 10V	1	
	C8024	FIG1A106A043	C 0.010UF, K, 10V	1	
	C8025	FIG1C104A116	C 0.10UF, K, 16V	1	
	C8026	FIG1C104A116	C 0.10UF, K, 16V	1	
	C8027	FIG1C104A116	C 0.10UF, K, 16V	1	
	C8028	FIG1C104A116	C 0.10UF, K, 16V	1	
	C8029	FIG1C104A116	C 0.10UF, K, 16V	1	
	C8030	F1H1A1050032	C 10UF, 50V	1	
	C8031	F1H1A1050032	C 10UF, 50V	1	
	C8032	FIG1A106A043	C 0.010UF, K, 10V	1	
	C8033	FIG1C104A116	C 0.10UF, K, 16V	1	
	C8034	FIG1C104A116	C 0.10UF, K, 16V	1	
	C8035	FIG1A106A043	C 0.010UF, K, 10V	1	
	C8036	FIG1A106A043	C 0.010UF, K, 10V	1	
	C8037	FIG1C104A116	C 0.10UF, K, 16V	1	
	C8038	FIG1C104A116	C 0.10UF, K, 16V	1	
	C8039	FIG1C104A116	C 0.10UF, K, 16V	1	
	C8040	FIG1C104A116	C 0.10UF, K, 16V	1	
	C8041	FIG1C104A116	C 0.10UF, K, 16V	1	
	C8042	ECGRL0G680ER	C 68UF, J, 4V	1	
	C8043	FIG1C104A116	C 0.10UF, K, 16V	1	
	C8044	FIG1C104A116	C 0.10UF, K, 16V	1	
	C8045	FIG1C104A116	C 0.10UF, K, 16V	1	
	C8046	FIG1C104A116	C 0.10UF, K, 16V	1	
	C8047	FIG1C104A116	C 0.10UF, K, 16V	1	
	C8048	FIG1C104A116	C 0.10UF, K, 16V	1	
	C8049	FIG1C104A116	C 0.10UF, K, 16V	1	
	C8050	FIG1C104A116	C 0.10UF, K, 16V	1	
	C8051	FIG1C104A116	C 0.10UF, K, 16V	1	
	C8052	F1H1A1050032	C 10UF, 50V	1	
	C8053	FIG1C103A116	C 0.010UF, K, 16V	1	
	C8054	FIG1H120A731	C 12UF, 50V	1	
	C8055	FIG1H1R0A748	C 1UF, 50V	1	
	C8056	FIG1C104A116	C 0.10UF, K, 16V	1	
	C8057	FIG1C104A116	C 0.10UF, K, 16V	1	
	C8058	FIG1A106A043	C 0.010UF, K, 10V	1	
	C8063	F1H1A1050032	C 10UF, 50V	1	
	C8064	F1H1A1050032	C 10UF, 50V	1	
	C8065	FIG1C104A116	C 0.10UF, K, 16V	1	
	C8067	FIG1C104A116	C 0.10UF, K, 16V	1	
	C8069	FIG1H102A730	C 1000UF, 50V	1	
	C8070	FIG1C104A116	C 0.10UF, K, 16V	1	
	C8071	FIG1C104A116	C 0.10UF, K, 16V	1	
	C8072	FIG1C104A116	C 0.10UF, K, 16V	1	
	C8073	FIG1C104A116	C 0.10UF, K, 16V	1	
	C8074	FIG1C104A116	C 0.10UF, K, 16V	1	
	C8075	FIG1A106A043	C 0.010UF, K, 10V	1	
	C8076	FIG1C104A116	C 0.10UF, K, 16V	1	
	C8077	FIG1C104A116	C 0.10UF, K, 16V	1	
	C8078	FIG1C104A116	C 0.10UF, K, 16V	1	
	C8079	FIG1C104A116	C 0.10UF, K, 16V	1	
	C8080	FIG1C104A116	C 0.10UF, K, 16V	1	
	C8081	FIG1C104A116	C 0.10UF, K, 16V	1	
	C8082	FIG1H102A730	C 1000UF, 50V	1	
	C8083	FIG1C104A116	C 0.10UF, K, 16V	1	



Safety	Ref. No.	Part No.	Part Name & Description	Pcs	Remarks
	C8084	FIG1H102A730	C 1000UF, 50V	1	
	C8085	FIG1C104A116	C 0.10UF, K, 16V	1	
	C8086	FIG1C104A116	C 0.10UF, K, 16V	1	
	C8087	FIG1C104A116	C 0.10UF, K, 16V	1	
	C8088	FIG1C104A116	C 0.10UF, K, 16V	1	
	C8089	FIG1C104A116	C 0.10UF, K, 16V	1	
	C8090	FIG1C104A116	C 0.10UF, K, 16V	1	
	C8092	FIG1C104A116	C 0.10UF, K, 16V	1	
	C8093	FIG1C104A116	C 0.10UF, K, 16V	1	
	C8094	FIG1C104A116	C 0.10UF, K, 16V	1	
	C8095	FIG1C104A116	C 0.10UF, K, 16V	1	
	C8096	FIG1C104A116	C 0.10UF, K, 16V	1	
	C8097	FIG1C104A116	C 0.10UF, K, 16V	1	
	C8098	FIG1C104A116	C 0.10UF, K, 16V	1	
	C8099	FIG1C104A116	C 0.10UF, K, 16V	1	
	C8100	FIG1C104A116	C 0.10UF, K, 16V	1	
	C8101	FIG1C104A116	C 0.10UF, K, 16V	1	
	C8102	FIG1C104A116	C 0.10UF, K, 16V	1	
	C8201	FIG1C104A116	C 0.10UF, K, 16V	1	
	C8202	FIG1C104A116	C 0.10UF, K, 16V	1	
	C8301	FIG1H221A459	C 220UF, 50V	1	
	C8302	FIG1H221A459	C 220UF, 50V	1	
	C8303	FIG1H221A459	C 220UF, 50V	1	
	C8307	FIG1H102A730	C 1000UF, 50V	1	
	C8308	FIG1H103A735	C 0.01UF, 50V	1	
	C8309	FIG1H102A730	C 1000UF, 50V	1	
	C8310	FIG1C104A116	C 0.10UF, K, 16V	1	
	C8311	F2G1V220A020	E 22UF, 35V	1	
	C8312	FIG1C104A116	C 0.10UF, K, 16V	1	
	C8313	EEHBOJ221UP	C 220PF, J, 6.3V	1	
	C8314	EEHBOJ221UP	C 220PF, J, 6.3V	1	
	C8315	FIG1H102A730	C 1000UF, 50V	1	
	C8316	FIG1H102A730	C 1000UF, 50V	1	
	C8321	FIG1H121A731	C 120PF, K, 50V	1	PAVCA
	C8322	FIG1H102A730	C 1000UF, 50V	1	
	C8323	FIG1H102A730	C 1000UF, 50V	1	
	C8324	FIG1C104A116	C 0.10UF, K, 16V	1	
	C8325	FIG1C104A116	C 0.10UF, K, 16V	1	
	C8326	FIG1C103A116	C 0.010UF, K, 16V	1	
	C8327	FIG1C104A116	C 0.10UF, K, 16V	1	
	C8328	FIG1C104A116	C 0.10UF, K, 16V	1	
	C8329	FIG1A106A043	C 0.010UF, K, 10V	1	
	C8330	FIG1A106A043	C 0.010UF, K, 10V	1	
	C8331	FIG1C104A116	C 0.10UF, K, 16V	1	
	C8332	FIG1C104A116	C 0.10UF, K, 16V	1	
	C8333	FIG1C104A116	C 0.10UF, K, 16V	1	
	C8334	FIG1C104A116	C 0.10UF, K, 16V	1	
	C8335	FIG1C104A116	C 0.10UF, K, 16V	1	
	C8336	FIG1H150A731	C 15UF, 50V	1	
	C8337	FIG1C104A116	C 0.10UF, K, 16V	1	
	C8338	FIG1H150A731	C 15UF, 50V	1	
	C8339	FIG1C104A116	C 0.10UF, K, 16V	1	
	C8340	FIG1C104A116	C 0.10UF, K, 16V	1	
	C8341	FIG1C104A116	C 0.10UF, K, 16V	1	
	C8342	FIG1C104A116	C 0.10UF, K, 16V	1	
	C8343	FIG1A1050032	C 10UF, 50V	1	
	C8344	FIG1A106A043	C 0.010UF, K, 10V	1	
	C8345	FIG1A106A043	C 0.010UF, K, 10V	1	
	C8500	FIG1C104A116	C 0.10UF, K, 16V	1	
	C8501	FIG1C104A116	C 0.10UF, K, 16V	1	
	C8502	FIG1C104A116	C 0.10UF, K, 16V	1	
	C8503	FIG1C104A116	C 0.10UF, K, 16V	1	
	C8508	FIG1C103A116	C 0.010UF, K, 16V	1	
	C8510	FIG1A106A043	C 0.010UF, K, 10V	1	
	C8512	FIG1C104A119	C 0.10UF, K, 16V	1	
	C8513	FIG1C104A119	C 0.10UF, K, 16V	1	
	C8532	F2G1C470A022	E 47UF, 16V	1	

Safety	Ref. No.	Part No.	Part Name & Description	Pcs	Remarks
	C8533	FIG1C104A116	C 0.10UF, K, 16V	1	
	C8535	FIG1C103A116	C 0.010UF, K, 16V	1	
	C8545	FIG1A106A043	C 0.010UF, K, 10V	1	
	C8546	FIG1C104A116	C 0.10UF, K, 16V	1	
	C8547	FIG1C104A116	C 0.10UF, K, 16V	1	
	C8548	FIG1C104A116	C 0.10UF, K, 16V	1	
	C8549	FIG1C104A116	C 0.10UF, K, 16V	1	
	C8550	FIG1C104A116	C 0.10UF, K, 16V	1	
	C8551	FIG1C104A116	C 0.10UF, K, 16V	1	
	C8552	FIG1C104A116	C 0.10UF, K, 16V	1	
	C8555	FIG1C104A116	C 0.10UF, K, 16V	1	
	C8556	FIG1C104A116	C 0.10UF, K, 16V	1	
	C8557	FIG1C104A116	C 0.10UF, K, 16V	1	
	C8558	FIG1A106A043	C 0.010UF, K, 10V	1	
	C8559	FIG1C104A116	C 0.10UF, K, 16V	1	
	C8560	FIG1C104A116	C 0.10UF, K, 16V	1	
	C8561	FIG1C104A116	C 0.10UF, K, 16V	1	
	C8562	FIG1A106A043	C 0.010UF, K, 10V	1	
	C8565	FIG1C103A116	C 0.010UF, K, 16V	1	
	C8566	FIG1C104A116	C 0.10UF, K, 16V	1	
	C8567	FIG1C104A116	C 0.10UF, K, 16V	1	
	C8568	FIG1C104A116	C 0.10UF, K, 16V	1	
	C8569	FIG1C104A116	C 0.10UF, K, 16V	1	
	C8570	FIG1C103A116	C 0.010UF, K, 16V	1	
	C8571	FIG1A106A043	C 0.010UF, K, 10V	1	
	C8608	FIG1C104A116	C 0.10UF, K, 16V	1	
	C8609	FIG1C104A116	C 0.10UF, K, 16V	1	
	C8610	FIG1C104A116	C 0.10UF, K, 16V	1	
	C8611	FIG1C104A116	C 0.10UF, K, 16V	1	
	C8612	FIG1C104A116	C 0.10UF, K, 16V	1	
	C8613	FIG1A106A043	C 0.010UF, K, 10V	1	
	C8614	FIG1A106A043	C 0.010UF, K, 10V	1	
	C8615	FIG1C104A116	C 0.10UF, K, 16V	1	
	C8616	FIG1C104A116	C 0.10UF, K, 16V	1	
	C8617	FIG1C104A116	C 0.10UF, K, 16V	1	
	C8618	FIG1C104A116	C 0.10UF, K, 16V	1	
	C9033	FIG1C104A116	C 0.10UF, K, 16V	1	
	C9034	FIG1C104A116	C 0.10UF, K, 16V	1	
	C9035	FIG1A106A043	C 0.010UF, K, 10V	1	
	C9036	FIG1A106A043	C 0.010UF, K, 10V	1	
	C9037	FIG1C103A116	C 0.010UF, K, 16V	1	
	C9040	FIG1C104A116	C 0.10UF, K, 16V	1	
	C9044	FIG1A475A039	C 4.7UF, K, 10V	1	
	C9045	FIG1C104A116	C 0.10UF, K, 16V	1	
	C9046	FIG1C104A116	C 0.10UF, K, 16V	1	
	C9047	FIG1C104A116	C 0.10UF, K, 16V	1	
	C9048	FIG1C104A116	C 0.10UF, K, 16V	1	
	C9049	FIG1C104A116	C 0.10UF, K, 16V	1	
	C9052	FIG1C104A116	C 0.10UF, K, 16V	1	
	C9053	FIG1C104A116	C 0.10UF, K, 16V	1	
	C9055	FIG1C104A116	C 0.10UF, K, 16V	1	
	C9057	FIG1C104A116	C 0.10UF, K, 16V	1	
	C9061	FIG1C104A116	C 0.10UF, K, 16V	1	
	C9062	FIG1A475A039	C 4.7UF, K, 10V	1	
	C9063	FIG1C104A116	C 0.10UF, K, 16V	1	
	C9064	FIG1C104A116	C 0.10UF, K, 16V	1	
	C9065	FIG1C104A116	C 0.10UF, K, 16V	1	
	C9066	FIG1H104A129	C 0.1UF, 25V	1	
	C9067	FIG1K0J226A008	C 22UF, K, 6.3V	1	
	C9068	FIG1K0J226A008	C 22UF, K, 6.3V	1	
	C9069	FIG1H222A730	C 2200UF, 50V	1	
	C9071	FIG1H104A129	C 0.1UF, 25V	1	
	C9072	FIG1K0J226A008	C 22UF, K, 6.3V	1	

Safety	Ref. No.	Part No.	Part Name & Description	Pcs	Remarks
	C9073	FK0J226A008	C 22UF, K,6.3V	1	
	C9074	FIG1H222A730	C 2200UF, 50V	1	
	C9076	FIG1C153A116	C 0.015UF, K, 16V	1	
	C9077	FK1E106A136	C 10UF, Z, 25V	1	
	C9078	FK1E106A136	C 10UF, Z, 25V	1	
	C9079	FIG1H220A731	C 22UF, 50V	1	
	C9080	FIG1H201A731	C 200 UF, K, 50V	1	
	C9081	FIG1C104A116	C 0.10UF, K, 16V	1	
	C9082	F1H1E104A129	C 0.1UF, 25V	1	
	C9083	FK0J226A008	C 22UF, K,6.3V	1	
	C9084	FK0J226A008	C 22UF, K,6.3V	1	
	C9085	FIG1H222A730	C 2200UF, 50V	1	
	C9087	FIG1A563A053	C 0.56UF, 10V	1	
	C9088	FK1E106A136	C 10UF, Z, 25V	1	
	C9089	FK1E106A136	C 10UF, Z, 25V	1	
	C9091	FIG1H201A731	C 200 UF, K, 50V	1	
	C9100	FIG1C104A116	C 0.10UF, K, 16V	1	
	C9101	FIG1C104A116	C 0.10UF, K, 16V	1	
	C9102	FIG1C104A116	C 0.10UF, K, 16V	1	
	C9111	F1J1A106A043	C 0.010UF, K, 10V	1	
	C9112	F1J1A106A043	C 0.010UF, K, 10V	1	
	C9113	FIG1C104A116	C 0.10UF, K, 16V	1	
	C9114	FIG1C104A116	C 0.10UF, K, 16V	1	
	C9115	FIG1C104A116	C 0.10UF, K, 16V	1	
	C9123	F1J1A106A043	C 0.010UF, K, 10V	1	
	C9124	F1J1A106A043	C 0.010UF, K, 10V	1	
	C9134	FIG1C104A116	C 0.10UF, K, 16V	1	
	C9135	FIG1C104A116	C 0.10UF, K, 16V	1	
	C9136	FIG1C104A116	C 0.10UF, K, 16V	1	
	C9138	FIG1C104A116	C 0.10UF, K, 16V	1	
	C9139	F1J1A106A043	C 0.010UF, K, 10V	1	
	C9140	FIG1C104A116	C 0.10UF, K, 16V	1	
	C9141	F1J1A106A043	C 0.010UF, K, 10V	1	
	C9142	F1H1A1050032	C 10UF, 50V	1	
	C9143	F1H1A1050032	C 10UF, 50V	1	
	C9144	FIG1C104A116	C 0.10UF, K, 16V	1	
	C9145	F1H1A1050032	C 10UF, 50V	1	
	C9146	F1H1A1050032	C 10UF, 50V	1	
	C9147	F1H1A1050032	C 10UF, 50V	1	
	C9148	F1H1A1050032	C 10UF, 50V	1	
	C9149	F1H1A1050032	C 10UF, 50V	1	
	C9150	F1H1A1050032	C 10UF, 50V	1	
	C9151	F1H1A1050032	C 10UF, 50V	1	
	C9152	F1H1A1050032	C 10UF, 50V	1	
	C9153	F1H1A1050032	C 10UF, 50V	1	
	C9154	F1H1A1050032	C 10UF, 50V	1	
	C9155	F1H1A1050032	C 10UF, 50V	1	
	C9156	F1H1A1050032	C 10UF, 50V	1	
	C9157	F1H1A1050032	C 10UF, 50V	1	
	C9158	F1H1A1050032	C 10UF, 50V	1	
	C9159	F1H1A1050032	C 10UF, 50V	1	
	C9160	F1H1A1050032	C 10UF, 50V	1	
	C9161	F1H1A1050032	C 10UF, 50V	1	
	C9162	F1H1A1050032	C 10UF, 50V	1	
	C9163	F1H1A1050032	C 10UF, 50V	1	
	C9164	F1H1A1050032	C 10UF, 50V	1	
	C9165	F1H1A1050032	C 10UF, 50V	1	
	C9166	F1H1A1050032	C 10UF, 50V	1	
	C9167	F1H1A1050032	C 10UF, 50V	1	
	C9168	F1H1A1050032	C 10UF, 50V	1	
	C9169	F1H1A1050032	C 10UF, 50V	1	
	C9300	FIG1C104A116	C 0.10UF, K, 16V	1	
	C9302	FIG1C104A116	C 0.10UF, K, 16V	1	
	C9303	FIG1C104A116	C 0.10UF, K, 16V	1	
	C9305	FIG1C104A116	C 0.10UF, K, 16V	1	
	C9306	FIG1C104A116	C 0.10UF, K, 16V	1	
	C9310	FIG1C104A116	C 0.10UF, K, 16V	1	

Safety	Ref. No.	Part No.	Part Name & Description	Pcs	Remarks
	C9311	FIG1C104A116	C 0.10UF, K, 16V	1	
	C9312	FIG1C104A116	C 0.10UF, K, 16V	1	
	C9313	FIG1C104A116	C 0.10UF, K, 16V	1	
	C9314	FIG1C104A116	C 0.10UF, K, 16V	1	
	C9468	FIG1C103A116	C 0.010UF, K, 16V	1	
	C9469	FIG1C104A116	C 0.10UF, K, 16V	1	
	C9535	FIG1C104A116	C 0.10UF, K, 16V	1	
	C9536	FIG1C104A116	C 0.10UF, K, 16V	1	
	C9537	FIG1C104A116	C 0.10UF, K, 16V	1	
	C9538	FIG1C104A116	C 0.10UF, K, 16V	1	
	C9539	FIG1C104A116	C 0.10UF, K, 16V	1	
	C9540	FIG1C104A116	C 0.10UF, K, 16V	1	
	C9541	FIG1C104A116	C 0.10UF, K, 16V	1	
	C9542	FIG1C104A116	C 0.10UF, K, 16V	1	
	C9543	FIG1C104A116	C 0.10UF, K, 16V	1	
	C9544	FIG1C104A116	C 0.10UF, K, 16V	1	
	C9545	FIG1C104A116	C 0.10UF, K, 16V	1	
	C9546	FIG1C104A116	C 0.10UF, K, 16V	1	
	C9547	FIG1C104A116	C 0.10UF, K, 16V	1	
	C9548	FIG1C104A116	C 0.10UF, K, 16V	1	
	C9549	FIG1C104A116	C 0.10UF, K, 16V	1	
	C9550	FIG1C104A116	C 0.10UF, K, 16V	1	
	C9700	FIG1C104A116	C 0.10UF, K, 16V	1	
	C9701	FIG1C104A116	C 0.10UF, K, 16V	1	
	C9702	FIG1C104A116	C 0.10UF, K, 16V	1	
	C9703	FIG1C104A116	C 0.10UF, K, 16V	1	
	C9704	FIG1C104A116	C 0.10UF, K, 16V	1	
	C9706	FIG1C104A116	C 0.10UF, K, 16V	1	
	C9709	FIG1C104A116	C 0.10UF, K, 16V	1	
	C9713	FIG1C104A116	C 0.10UF, K, 16V	1	
	C9714	FIG1C104A116	C 0.10UF, K, 16V	1	
	C9715	FIG1C104A116	C 0.10UF, K, 16V	1	
	C9716	FIG1C104A116	C 0.10UF, K, 16V	1	
	C9823	FK1E106A136	C 10UF, Z, 25V	1	
	C9825	FIG1H101A731	C 100PF, K, 50V	1	
	C9832	F1J1A106A043	C 0.010UF, K, 10V	1	
	C9837	F1J1A106A043	C 0.010UF, K, 10V	1	
	C9840	FIG1C103A116	C 0.010UF, K, 16V	1	
	C9844	FIG1E103A123	C 0.010UF, K, 25V	1	
	C9845	FIG1C104A116	C 0.10UF, K, 16V	1	
	C9846	FIG1C104A116	C 0.10UF, K, 16V	1	
	C9858	FK1E106A136	C 10UF, Z, 25V	1	
	C9859	FIG1E103A123	C 0.010UF, K, 25V	1	
	C9863	FIG1E472A123	C 4200UF, Z, 25V	1	
	C9869	FK1E106A136	C 10UF, Z, 25V	1	
	C9872	FK1E106A136	C 10UF, Z, 25V	1	
	C9874	FIG1H101A731	C 100PF, K, 50V	1	
	C9882	FIG1H201A731	C 200 UF, K, 50V	1	
	C9889	F1J1A106A043	C 0.010UF, K, 10V	1	
	C9899	F1J1A106A043	C 0.010UF, K, 10V	1	
	C9900	FIG1C104A116	C 0.10UF, K, 16V	1	
	C9901	FIG1C104A116	C 0.10UF, K, 16V	1	
	C9902	FIG1C104A116	C 0.10UF, K, 16V	1	
	C9903	FIG1C104A116	C 0.10UF, K, 16V	1	
	C9904	FIG1C104A116	C 0.10UF, K, 16V	1	
	C9905	FIG1C104A116	C 0.10UF, K, 16V	1	
	C9906	FIG1C104A116	C 0.10UF, K, 16V	1	
	C9907	FIG1C104A116	C 0.10UF, K, 16V	1	
	C9908	FIG1C104A116	C 0.10UF, K, 16V	1	
	C9909	FIG1C104A116	C 0.10UF, K, 16V	1	
	C9910	FIG1C104A116	C 0.10UF, K, 16V	1	
	C9911	FIG1C104A116	C 0.10UF, K, 16V	1	
	C9912	FIG1C104A116	C 0.10UF, K, 16V	1	
	C9913	FIG1C104A116	C 0.10UF, K, 16V	1	
	C9914	FIG1C104A116	C 0.10UF, K, 16V	1	
	C9915	FIG1C104A116	C 0.10UF, K, 16V	1	
	C9916	FIG1C104A116	C 0.10UF, K, 16V	1	

Safety	Ref. No.	Part No.	Part Name & Description	Pcs	Remarks
	C9917	FIG1C104A116	C 0.10UF, K, 16V	1	
	C9918	FIG1C104A116	C 0.10UF, K, 16V	1	
	C9920	FIG1C104A116	C 0.10UF, K, 16V	1	
	C9921	FIG1C104A116	C 0.10UF, K, 16V	1	
	C9922	FIG1C104A116	C 0.10UF, K, 16V	1	
	C9923	FIG1C104A116	C 0.10UF, K, 16V	1	
	C9924	FIG1C104A116	C 0.10UF, K, 16V	1	
	C9925	FIG1C104A116	C 0.10UF, K, 16V	1	
	C9926	FIJ1A106A043	C 0.010UF, K, 10V	1	
	C9949	FIG1C104A116	C 0.10UF, K, 16V	1	
	C9950	FIG1C104A116	C 0.10UF, K, 16V	1	
	C9952	FIG1C104A116	C 0.10UF, K, 16V	1	
	C9953	FIG1C104A116	C 0.10UF, K, 16V	1	
	C9954	FIG1C104A116	C 0.10UF, K, 16V	1	
	C9956	FIG1C104A116	C 0.10UF, K, 16V	1	
	C9957	FIG1C104A116	C 0.10UF, K, 16V	1	
	C9958	FIG1C104A116	C 0.10UF, K, 16V	1	
	C9960	FIJ1A106A043	C 0.010UF, K, 10V	1	
	C9961	FIJ1A106A043	C 0.010UF, K, 10V	1	
	C9962	FIJ1A106A043	C 0.010UF, K, 10V	1	
	C9965	FIG1C104A116	C 0.10UF, K, 16V	1	
	C9966	FIJ1A106A043	C 0.010UF, K, 10V	1	
	C9967	FIG1C104A116	C 0.10UF, K, 16V	1	
	C9968	FIG1C104A116	C 0.10UF, K, 16V	1	
	C9970	FIG1C104A116	C 0.10UF, K, 16V	1	
	C9971	FIG1H150A731	C 15UF, 50V	1	
	C9972	FIG1H180A731	C 18UF, 50V	1	
	C9973	FIG1C104A116	C 0.10UF, K, 16V	1	
	C9976	FIG1C104A116	C 0.10UF, K, 16V	1	
	C9977	FIG1C104A116	C 0.10UF, K, 16V	1	
	C9980	FIG1C104A116	C 0.10UF, K, 16V	1	
	C9984	FIJ1A106A043	C 0.010UF, K, 10V	1	
	C9985	FIJ1A106A043	C 0.010UF, K, 10V	1	
	C9986	FIG1C104A116	C 0.10UF, K, 16V	1	
	C9987	FIG1C104A116	C 0.10UF, K, 16V	1	
	C9988	FIG1C104A116	C 0.10UF, K, 16V	1	
	C9989	ECGRL0G680ER	C 68UF, J, 4V	1	
	C9990	FIG1C104A116	C 0.10UF, K, 16V	1	
	C9991	FIG1C104A116	C 0.10UF, K, 16V	1	
	C9992	FIG1C104A116	C 0.10UF, K, 16V	1	
	C9993	FIG1C104A116	C 0.10UF, K, 16V	1	
	C9994	FIG1C104A116	C 0.10UF, K, 16V	1	
	C9995	FIG1C104A116	C 0.10UF, K, 16V	1	
	C9996	FIG1C104A116	C 0.10UF, K, 16V	1	
	C9997	FIG1C104A116	C 0.10UF, K, 16V	1	
	C16002	FLL2J562A022	C 5600UF, K,6.3V	1	
	C16012	F2A2T301A004	E 300UF, 220V	1	
	C16013	F2A2T301A004	E 300UF, 220V	1	
	C16016	F2A2T301A004	E 300UF, 220V	1	
	C16018	F0C2E155A252	E 0.015UF, 250V	1	
	C16023	FLL2J562A022	C 5600UF, K,6.3V	1	
	C16041	F1H1H392A970	C 3900PF, K, 50V	1	
	C16042	F1H1H392A970	C 3900PF, K, 50V	1	
	C16071	FLL2J1020001	C 1000UF, K,6.3V	1	
	C16092	FLL2J1020001	C 1000UF, K,6.3V	1	
	C16104	F1H1E470A130	C 47UF, K, 25V	1	
	C16105	F1H1E470A130	C 47UF, K, 25V	1	
	C16131	FLL1E4750004	C 4.7UF, 25V	1	
	C16133	FLL1E4750004	C 4.7UF, 25V	1	
	C16135	F1K1E105A029	C 1UF, Z, 25V	1	
	C16151	F1K1E105A029	C 1UF, Z, 25V	1	
	C16152	FLL1E4750004	C 4.7UF, 25V	1	
	C16153	FLL1E4750004	C 4.7UF, 25V	1	
	C16154	FLL1E4750004	C 4.7UF, 25V	1	
	C16191	FLL1E4750004	C 4.7UF, 25V	1	
	C16192	F1H1E104A129	C 0.1UF, 25V	1	
	C16193	EEUFCL1E470	E 47UF, 25V	1	

Safety	Ref. No.	Part No.	Part Name & Description	Pcs	Remarks
	C16195	FLL1E4750004	C 4.7UF, 25V	1	
	C16201	F0C2E405A232	E 0.040UF, 250V	1	
	C16202	F0C2E405A232	E 0.040UF, 250V	1	
	C16203	F0C2E405A232	E 0.040UF, 250V	1	
	C16241	F2A1A101A106	E 100UF, 10V	1	
	C16242	F1H1C105A008	C 1UF, K, 16V	1	
	C16243	F1H1H103A970	C 0.001UF, K, 50V	1	
	C16251	F1H1C105A008	C 1UF, K, 16V	1	
	C16252	F1K1E105A029	C 1UF, Z, 25V	1	
	C16271	EEUFCL1E221	E 220UF, 25V	1	
	C16280	F1K1E105A029	C 1UF, Z, 25V	1	
	C16284	F1H1H104A970	C 0.1UF, K, 50V	1	
	C16285	F1H1H104A970	C 0.1UF, K, 50V	1	
	C16286	F1H1H104A970	C 0.1UF, K, 50V	1	
	C16287	F1H1H104A970	C 0.1UF, K, 50V	1	
	C16314	F2A2T301A004	E 300UF, 220V	1	
	C16315	F1H1A1050032	C 10UF, 50V	1	
	C16316	F1H1C104A143	C 0.1UF, K, 16V	1	
	C16317	F1H1A1050032	C 10UF, 50V	1	
	C16318	F1J1H104A835	C 0.10UF, 50V	1	
	C16319	F1J1H104A835	C 0.10UF, 50V	1	
	C16328	F2A2C221A195	E 2200UF, 160V	1	PAVCA
	C16331	F0C2E105A252	E 0.010UF, 250V	1	PAVCA
	C16401	FLL2J562A022	C 5600UF, K,6.3V	1	
	C16412	F2A2T301A004	E 300UF, 220V	1	
	C16413	F0C2E155A252	E 0.015UF, 250V	1	
	C16415	F2A2T301A004	E 300UF, 220V	1	
	C16417	F2A2T301A004	E 300UF, 220V	1	
	C16419	F2A2T301A004	E 300UF, 220V	1	
	C16421	FLL2J562A022	C 5600UF, K,6.3V	1	
	C16441	F1H1H392A970	C 3900PF, K, 50V	1	
	C16442	F1H1H392A970	C 3900PF, K, 50V	1	
	C16460	F1E2J182A002	C 1800PF, 600V	1	
	C16471	FLL2J1020001	C 1000UF, K,6.3V	1	
	C16472	F1K1E105A029	C 1UF, Z, 25V	1	
	C16490	F1H1C105A008	C 1UF, K, 16V	1	
	C16491	FLL2J1020001	C 1000UF, K,6.3V	1	
	C16501	F1K1E105A029	C 1UF, Z, 25V	1	
	C16502	FLL1E4750004	C 4.7UF, 25V	1	
	C16503	F2A1E471A102	E 470UF, 25V	1	
	C16504	FLL1E4750004	C 4.7UF, 25V	1	
	C16505	F1K1E105A029	C 1UF, Z, 25V	1	
	C16521	F1K1E105A029	C 1UF, Z, 25V	1	
	C16522	FLL1E4750004	C 4.7UF, 25V	1	
	C16523	F2A1E471A102	E 470UF, 25V	1	
	C16524	FLL1E4750004	C 4.7UF, 25V	1	
	C16525	FLL1E4750004	C 4.7UF, 25V	1	
	C16533	F1H1H104A970	C 0.1UF, K, 50V	1	
	C16535	F1H1H104A970	C 0.1UF, K, 50V	1	
	C16536	F1H1H104A970	C 0.1UF, K, 50V	1	
	C16562	F1H1C105A008	C 1UF, K, 16V	1	
	C16563	F2A1A101A106	E 100UF, 10V	1	
	C16564	F1H1C105A008	C 1UF, K, 16V	1	
	C16565	F1H1H103A970	C 0.001UF, K, 50V	1	
	C16566	F1H1H103A970	C 0.001UF, K, 50V	1	
	C16581	F1K1E105A029	C 1UF, Z, 25V	1	
	C16582	F1H1C105A008	C 1UF, K, 16V	1	
	C16593	F1H1H102A971	C 1000PF, K, 50V	1	
	C16602	F1H1H220A971	C 22PF, K, 50V	1	
	C16603	F1K2J102A014	C 1000UF, K,6.3V	1	
	C16604	F1K2J102A014	C 1000UF, K,6.3V	1	
	C16608	F1H1H221A971	C 220UF, K, 50V	1	
	C16631	F0C2E405A232	E 0.040UF, 250V	1	
	C16632	F0C2E405A232	E 0.040UF, 250V	1	
	C16633	F0C2E405A232	E 0.040UF, 250V	1	
	C16641	F1K2J222A014	C 2200UF, K,6.3V	1	
	C16645	F1K2J102A014	C 1000UF, K,6.3V	1	
	C16646	F1K2J102A014	C 1000UF, K,6.3V	1	
	C16661	F1K2J102A014	C 1000UF, K,6.3V	1	
	C16662	F1K2J102A014	C 1000UF, K,6.3V	1	
	C16664	F1H1H820A971	C 82UF, 50V	1	

Safety	Ref. No.	Part No.	Part Name & Description	Pcs	Remarks
	C16665	F1H1H820A971	C 82UF, 50V	1	
	C16666	F1H1H820A971	C 82UF, 50V	1	
	C16668	F1H1H221A971	C 220UF, K, 50V	1	
	C16675	F1H1H391A971	C 391UF, 50V	1	
	C16684	F1H1H104A970	C 0.1UF, K, 50V	1	
	C16685	F1H1H104A970	C 0.1UF, K, 50V	1	
	C16691	F2A2C101A169	E 1000UF, 160V	1	
	C16692	F1H1H104A970	C 0.1UF, K, 50V	1	
	C16707	F1H1H220A971	C 22PF, K, 50V	1	
	C16708	F1H1H104A970	C 0.1UF, K, 50V	1	
	C16721	F2A1H101A128	E 100UF, 50V	1	
	C16723	F1L1E4750004	C 4.7UF, 25V	1	
	C16724	F1L1E4750004	C 4.7UF, 25V	1	
	C16725	F1L1E4750004	C 4.7UF, 25V	1	
	C16753	F1L1E4750004	C 4.7UF, 25V	1	
	C16755	F1L1E4750004	C 4.7UF, 25V	1	
	C16756	F1L1E4750004	C 4.7UF, 25V	1	
	C16771	F1H1C105A008	C 1UF, K, 16V	1	
	C16772	F1L1E4750004	C 4.7UF, 25V	1	
	C16773	F1L1E4750004	C 4.7UF, 25V	1	
	C16791	EEUFC1E221	E 220UF, 25V	1	
	C16795	F2A1E471A102	E 470UF, 25V	1	
	C16796	F2A1E471A102	E 470UF, 25V	1	
	C16797	F1H1H104A970	C 0.1UF, K, 50V	1	
	C16813	F2A2T221A009	E 220UF, 220V	1	
	C16814	F1H1H561A971	C 560UF, 50V	1	
	C16821	F1J1H104A835	C 0.10UF, 50V	1	
	C16822	F2A2G470A187	E 470UF, 400V	1	
	C16823	F1L2J562A022	C 5600UF, K, 6.3V	1	
	C16842	F2A2C101A169	E 1000UF, 160V	1	
	C16843	F1J1H104A835	C 0.10UF, 50V	1	
	C16844	F1J1H104A835	C 0.10UF, 50V	1	
	C16856	F1H1A1050032	C 10UF, 50V	1	
	C16857	F1H1H472A970	C 4700PF, K, 50V	1	
	C16858	F1H1C104A143	C 0.1UF, K, 16V	1	
	C16860	F1H1A1050032	C 10UF, 50V	1	
	C16861	F1H1C104A143	C 0.1UF, K, 16V	1	
	C16862	F1H1A1050032	C 10UF, 50V	1	
	C16863	F1J1H104A835	C 0.10UF, 50V	1	
	C16864	F1J1H104A835	C 0.10UF, 50V	1	
	C16866	F1H1A1050032	C 10UF, 50V	1	
	C16867	F1H1A1050032	C 10UF, 50V	1	
	C16868	F1H1A1050032	C 10UF, 50V	1	
	C16869	F1J1H104A835	C 0.10UF, 50V	1	
	C16891	F1K1E105A029	C 1UF, Z, 25V	1	
	C16902	F1E2J332A002	C 3300PF, 600V	1	
	C17101	F1H1A1050032	C 10UF, 50V	1	
	C17102	F1H1A1050032	C 10UF, 50V	1	
	C17103	F1H1A1050032	C 10UF, 50V	1	
	C17104	F1H1A1050032	C 10UF, 50V	1	
	C17105	F1H1A1050032	C 10UF, 50V	1	
	C17131	F1L2E154A028	E 1500UF, 25V	1	
	C17132	F1L2E154A028	E 1500UF, 25V	1	
	C17133	F1L2E154A028	E 1500UF, 25V	1	
	C17134	F1L2E154A028	E 1500UF, 25V	1	
	C17135	F1L2E154A028	E 1500UF, 25V	1	
	C17136	F1L2E154A028	E 1500UF, 25V	1	
	C17137	F1L2E154A028	E 1500UF, 25V	1	
	C17138	F1L2E154A028	E 1500UF, 25V	1	
	C17139	F1L2E154A028	E 1500UF, 25V	1	
	C17140	F1L2E154A028	E 1500UF, 25V	1	
	C17201	F1H1A1050032	C 10UF, 50V	1	
	C17204	F1H1A1050032	C 10UF, 50V	1	
	C17205	F1H1A1050032	C 10UF, 50V	1	
	C17206	F1H1A1050032	C 10UF, 50V	1	
	C17207	F1H1A1050032	C 10UF, 50V	1	
	C17213	F1H1C104A143	C 0.1UF, K, 16V	1	
	C17214	F1H1C104A143	C 0.1UF, K, 16V	1	
	C17215	F1H1C104A143	C 0.1UF, K, 16V	1	
	C17231	F1L2E154A028	E 1500UF, 25V	1	
	C17232	F1L2E154A028	E 1500UF, 25V	1	
	C17233	F1L2E154A028	E 1500UF, 25V	1	
	C17234	F1L2E154A028	E 1500UF, 25V	1	

Safety	Ref. No.	Part No.	Part Name & Description	Pcs	Remarks
	C17235	F1L2E154A028	E 1500UF, 25V	1	
	C17236	F1L2E154A028	E 1500UF, 25V	1	
	C17237	F1L2E154A028	E 1500UF, 25V	1	
	C17238	F1L2E154A028	E 1500UF, 25V	1	
	C17239	F1L2E154A028	E 1500UF, 25V	1	
	C17240	F1L2E154A028	E 1500UF, 25V	1	
	C17241	F1H1H101A971	C 100UF, 50V	1	
	C17243	F1H1H101A971	C 100UF, 50V	1	
	C17301	F1H1A1050032	C 10UF, 50V	1	
	C17304	F1H1A1050032	C 10UF, 50V	1	
	C17305	F1H1A1050032	C 10UF, 50V	1	
	C17306	F1H1A1050032	C 10UF, 50V	1	
	C17307	F1H1A1050032	C 10UF, 50V	1	
	C17331	F1L2E154A028	E 1500UF, 25V	1	
	C17332	F1L2E154A028	E 1500UF, 25V	1	
	C17333	F1L2E154A028	E 1500UF, 25V	1	
	C17334	F1L2E154A028	E 1500UF, 25V	1	
	C17335	F1L2E154A028	E 1500UF, 25V	1	
	C17336	F1L2E154A028	E 1500UF, 25V	1	
	C17337	F1L2E154A028	E 1500UF, 25V	1	
	C17338	F1L2E154A028	E 1500UF, 25V	1	
	C17339	F1L2E154A028	E 1500UF, 25V	1	
	C17340	F1L2E154A028	E 1500UF, 25V	1	
	CB1	K1MY55B00002	55P CONNECTOR	1	PAVCA
	CB2	K1MY55B00002	55P CONNECTOR	1	PAVCA
	CB3	K1MY55B00002	55P CONNECTOR	1	PAVCA
	CB4	K1MY55B00002	55P CONNECTOR	1	PAVCA
	CB5	K1MY55B00002	55P CONNECTOR	1	PAVCA
	CB6	K1MY55B00002	55P CONNECTOR	1	PAVCA
	CB7	K1MY55B00002	55P CONNECTOR	1	PAVCA
	CB8	K1MY55B00002	55P CONNECTOR	1	PAVCA
	CB9	K1MY55B00002	55P CONNECTOR	1	PAVCA
	CB10	K1MY55B00002	55P CONNECTOR	1	PAVCA
	CB11	K1MY55B00002	55P CONNECTOR	1	PAVCA
	CB12	K1MY55B00002	55P CONNECTOR	1	PAVCA
	CB13	K1MY55B00002	55P CONNECTOR	1	PAVCA
	CB14	K1MY55B00002	55P CONNECTOR	1	PAVCA
	CB15	K1MY55B00002	55P CONNECTOR	1	PAVCA
	D1107	MA3X704A0L	ZENER DIODE	1	
	D2303	MA2J11100L	DIODE	1	
	D2512	MA8043LTX	ZENER DIODE	1	
	D2520	LN1271RAL-TR	LED	1	
	D2659	MA2J11100L	DIODE	1	
	D2660	MA22D3900L	DIODE	1	
	D3005	K7AAAY000003	PHOTO LINK	1	
	D3048	MAZ81400ML	ZENER DIODE	1	
	D3051	MAZ81400ML	ZENER DIODE	1	
	D3052	MAZ81400ML	ZENER DIODE	1	
	D3063	MAZ81400ML	ZENER DIODE	1	
	D3064	MAZ81400ML	ZENER DIODE	1	
	D3065	MAZ81400ML	ZENER DIODE	1	
	D3066	MAZ81400ML	ZENER DIODE	1	
	D3067	MAZ81400ML	ZENER DIODE	1	
	D3068	MAZ81400ML	ZENER DIODE	1	
	D3069	MAZ81400ML	ZENER DIODE	1	
	D3070	MAZ81400ML	ZENER DIODE	1	
	D3071	MAZ81400ML	ZENER DIODE	1	
	D3072	MAZ81400ML	ZENER DIODE	1	
	D3073	MAZ81400ML	ZENER DIODE	1	
	D3077	MAZ81400ML	ZENER DIODE	1	
	D3078	MAZ81400ML	ZENER DIODE	1	
	D3079	MAZ81400ML	ZENER DIODE	1	
	D3080	MAZ81400ML	ZENER DIODE	1	
	D3087	MAZ81400ML	ZENER DIODE	1	
	D3088	MAZ81400ML	ZENER DIODE	1	
	D3089	MAZ81400ML	ZENER DIODE	1	
	D3301	MA2J72800L	ZENER DIODE	1	
	D3302	MA2J72800L	ZENER DIODE	1	
	D4502	EZAEG2A50AX	DIODE	1	
	D4504	EZAEG2A50AX	DIODE	1	
	D4506	EZAEG2A50AX	DIODE	1	

Safety	Ref. No.	Part No.	Part Name & Description	Pcs	Remarks
	D4508	EZAEG2A50AX	DIODE	1	
	D4510	EZAEG2A50AX	DIODE	1	
	D4512	EZAEG2A50AX	DIODE	1	
	D4513	BOBC5R6A0275	DIODE	1	
	D4514	EZAEG2A50AX	DIODE	1	
	D4515	BOBC5R6A0275	DIODE	1	
	D4517	EZAEG2A50AX	DIODE	1	
	D4518	EZAEG2A50AX	DIODE	1	
	D4519	EZAEG2A50AX	DIODE	1	
	D4520	EZAEG2A50AX	DIODE	1	
	D4522	EZAEG2A50AX	DIODE	1	
	D4524	EZAEG2A50AX	DIODE	1	
	D4525	EZAEG2A50AX	DIODE	1	
	D4526	EZAEG2A50AX	DIODE	1	
	D4527	EZAEG2A50AX	DIODE	1	
	D4529	EZAEG2A50AX	DIODE	1	
	D4530	EZAEG2A50AX	DIODE	1	
	D4531	EZAEG2A50AX	DIODE	1	
	D4532	EZAEG2A50AX	DIODE	1	
	D4537	EZAEG2A50AX	DIODE	1	
	D4538	EZAEG2A50AX	DIODE	1	
	D4539	EZAEG2A50AX	DIODE	1	
	D4540	EZAEG2A50AX	DIODE	1	
	D4541	MA2J11100L	DIODE	1	
	D4542	MA2J11100L	DIODE	1	
	D4543	EZAEG2A50AX	DIODE	1	
	D4544	EZAEG2A50AX	DIODE	1	
	D4547	BOBC5R6A0275	DIODE	1	
	D4548	EZAEG2A50AX	DIODE	1	
	D4549	EZAEG2A50AX	DIODE	1	
	D4554	EZAEG2A50AX	DIODE	1	
	D4556	EZAEG2A50AX	DIODE	1	
	D4558	MA2J11100L	DIODE	1	
	D4565	MA2J11100L	DIODE	1	
	D4566	MA2J11100L	DIODE	1	
	D4567	MA2J11100L	DIODE	1	
	D4576	BOHCMM000014	DIODE	1	
	D4577	BOHCMM000014	DIODE	1	
	D4583	BOHCMM000014	DIODE	1	
	D5483	BOJCCCE000008	DIODE	1	
	D5484	MA3X78900L	ZENER DIODE	1	
	D5485	MAZ83600ML	ZENER DIODE	1	
	D5486	BOBC03900015	ZENER DIODE	1	
	D5521	MA3X152D0L	DIODE	1	
	D5522	MA3X152D0L	DIODE	1	
	D5573	BOBC01100001	ZENER DIODE	1	
	D5613	MA2J11100L	DIODE	1	
	D5614	MA2J11100L	DIODE	1	
	D5615	MA2J11100L	DIODE	1	
	D5616	MA2J72800L	ZENER DIODE	1	
	D5691	MAZ80560LL	ZENER DIODE	1	
	D5693	BOBC6R600005	ZENER DIODE	1	
	D5697	BOBC6R600005	ZENER DIODE	1	
	D5698	BOBC6R600005	ZENER DIODE	1	
	D5706	BOBC6R600005	ZENER DIODE	1	
	D5853	BOBC6R600005	ZENER DIODE	1	
	D5854	BOBC6R600005	ZENER DIODE	1	
	D9000	BOJCCCE000008	DIODE	1	
	D9110	BOJCGD000002	DIODE	1	
	D9800	BOJCPD000026	DIODE	1	
	D16001	BOFBCN000005	DIODE	1	
	D16002	BOFBCN000005	DIODE	1	
	D16021	BOFBCN000008	DIODE	1	
	D16022	BOFBCN000008	DIODE	1	
	D16032	MA2J11100L	DIODE	1	
	D16041	MA3DF46000LW	ZENER DIODE	1	
	D16042	MA3DF46000LW	ZENER DIODE	1	
	D16043	MA3DF46000LW	ZENER DIODE	1	
	D16050	BOECKP000047	DIODE	1	
	D16051	BOFBCN000008	DIODE	1	
	D16052	BOFBCN000008	DIODE	1	
	D16053	BOFBCN000008	DIODE	1	
	D16101	MA22D3900L	DIODE	1	

Safety	Ref. No.	Part No.	Part Name & Description	Pcs	Remarks
	D16131	BOECKP000047	DIODE	1	
	D16151	BOECKP000047	DIODE	1	
	D16152	BOECKP000047	DIODE	1	
	D16153	BOECKP000047	DIODE	1	
	D16191	BOECKP000047	DIODE	1	
	D16192	MA2J11100L	DIODE	1	
	D16193	BOECKP000047	DIODE	1	
	D16194	BOECKP000047	DIODE	1	
	D16195	BOECKP000047	DIODE	1	
	D16253	B3ABB0000210	LED	1	
	D16255	MA2J11100L	DIODE	1	
	D16280	MA2J11100L	DIODE	1	
	D16281	MAZ80510LL	ZENER DIODE	1	
	D16282	MAZ80680ML	ZENER DIODE	1	
	D16284	MA3X152D0L	DIODE	1	
	D16285	MA3X152D0L	DIODE	1	
	D16315	MAZ81500ML	ZENER DIODE	1	
	D16316	BOECKP000047	DIODE	1	
	D16317	BOECKP000047	DIODE	1	
	D16401	BOFACR000006	DIODE	1	
	D16402	BOFACR000006	DIODE	1	
	D16407	MA22D3900L	DIODE	1	
	D16411	MA2J11100L	DIODE	1	
	D16421	MA3DF40001TV	ZENER DIODE	1	
	D16422	MA3DF40001TV	ZENER DIODE	1	
	D16451	BOECKP000047	DIODE	1	
	D16461	MA3DF46000LW	ZENER DIODE	1	
	D16462	MA3DF46000LW	ZENER DIODE	1	
	D16463	MA3DF46000LW	ZENER DIODE	1	
	D16466	MA2J11100L	DIODE	1	
	D16473	MA3X152D0L	DIODE	1	
	D16474	MA2J11100L	DIODE	1	
	D16475	MAZ80510LL	ZENER DIODE	1	
	D16476	MA2J11100L	DIODE	1	
	D16477	MA2J11100L	DIODE	1	
	D16478	BOHCKS000002	DIODE	1	
	D16480	MA2J11100L	DIODE	1	
	D16481	BOFACP000001	DIODE	1	
	D16482	BOFACP000001	DIODE	1	
	D16483	BOFACP000001	DIODE	1	
	D16490	BOECKP000047	DIODE	1	
	D16491	MA2J11100L	DIODE	1	
	D16492	MAZ80470ML	ZENER DIODE	1	
	D16493	MA3X152E0L	ZENER DIODE	1	
	D16503	BOECHR000001	DIODE	1	
	D16522	BOECKP000047	DIODE	1	
	D16523	BOECHR000001	DIODE	1	
	D16524	BOECKP000047	DIODE	1	
	D16534	BOECHR000001	DIODE	1	
	D16536	BOECHR000001	DIODE	1	
	D16583	B3ABB0000210	LED	1	
	D16602	MAZ81500ML	ZENER DIODE	1	
	D16604	MA3X152E0L	ZENER DIODE	1	
	D16605	MAZ80510LL	ZENER DIODE	1	
	D16606	BOECKM000038	DIODE	1	
	D16607	MA2J11100L	DIODE	1	
	D16608	MA8120M	ZENER DIODE	1	
	D16610	MA2J11100L	DIODE	1	
	D16615	MA2J11100L	DIODE	1	
	D16616	MA3X152E0L	ZENER DIODE	1	
	D16618	BOECKP000047	DIODE	1	
	D16619	BOECKP000047	DIODE	1	
	D16621	BOFBCN000006	DIODE	1	
	D16622	BOFBCN000006	DIODE	1	
	D16623	BOFBCN000006	DIODE	1	
	D16624	BOECKP000047	DIODE	1	
	D16625	MAZ82000ML	ZENER DIODE	1	
	D16641	BOFBCN000007	DIODE	1	
	D16642	BOFBCN000007	DIODE	1	
	D16643	BOFBCN000007	DIODE	1	
	D16645	MAZ81500ML	ZENER DIODE	1	
	D16646	MAZ81500ML	ZENER DIODE	1	
	D16647	MAZ81500ML	ZENER DIODE	1	

Safety	Ref. No.	Part No.	Part Name & Description	Pcs	Remarks
	D16648	MAZ80510LL	ZENER DIODE	1	
	D16649	MA2J11100L	DIODE	1	
	D16650	MA2J11100L	DIODE	1	
	D16652	B0ECKP000047	DIODE	1	
	D16653	MA2J11100L	DIODE	1	
	D16654	MA2J11100L	DIODE	1	
	D16662	MAZ81500ML	ZENER DIODE	1	
	D16663	MAZ81500ML	ZENER DIODE	1	
	D16664	MAZ81500ML	ZENER DIODE	1	
	D16669	MA2J11100L	DIODE	1	
	D16671	MA2J11100L	DIODE	1	
	D16673	B0ECHR000001	DIODE	1	
	D16674	B0ECHR000001	DIODE	1	
	D16677	MA3X152D0L	DIODE	1	
	D16678	MAZ815000L	ZENER DIODE	1	
	D16679	B0ECKP000047	DIODE	1	
	D16702	MA2J11100L	DIODE	1	
	D16710	MAZ815000L	ZENER DIODE	1	
	D16711	B0ECHR000001	DIODE	1	
	D16712	MAZ815000L	ZENER DIODE	1	
	D16713	B0ECHR000001	DIODE	1	
	D16714	MAZ815000L	ZENER DIODE	1	
	D16715	B0ECHR000001	DIODE	1	
	D16717	MAZ83300ML	ZENER DIODE	1	
	D16719	B0ECKP000047	DIODE	1	
	D16720	B0ECKP000047	DIODE	1	
	D16721	B0ECHR000001	DIODE	1	
	D16725	MA2J11100L	DIODE	1	
	D16765	B0ECHR000001	DIODE	1	
	D16791	MAZ82000ML	ZENER DIODE	1	
	D16792	MA2J11100L	DIODE	1	
	D16811	MA2J11100L	DIODE	1	
	D16820	MA3X152E0L	ZENER DIODE	1	
	D16821	MAZ83600ML	ZENER DIODE	1	
	D16824	MAZ83300ML	ZENER DIODE	1	
	D16825	MAZ83300ML	ZENER DIODE	1	
	D16859	B0HCKS000002	DIODE	1	
	D16860	B0HCKS000002	DIODE	1	
	D16865	B0ECKP000047	DIODE	1	
	D16871	MAZ81500ML	ZENER DIODE	1	
	D16874	MAZ80510LL	ZENER DIODE	1	
	D16875	MA2J11100L	DIODE	1	
	D16901	MA3X152E0L	ZENER DIODE	1	
	D16902	MA2J11100L	DIODE	1	
	D16920	MA3X152E0L	ZENER DIODE	1	
	FL2500	J0MAB0000201	LC FILTER	1	
	FL4000	J0HAAB000036	LC FILTER	1	
	FL4002	J0HAAB000036	LC FILTER	1	
	FL4003	J0HAAB000036	LC FILTER	1	
	FL4004	J0HAAB000036	LC FILTER	1	
	FL9803	F1J1E104A148	C 0.10UF, Z, 25V	1	
	FL9805	F1J1E104A148	C 0.10UF, Z, 25V	1	
	FL9806	F1J1E104A148	C 0.10UF, Z, 25V	1	
	GK1	K1KA02BA0061	2P CONNECTOR	1	
	IC1100	MNZSFH9GP83	IC	1	
	IC1101	TVRQ484S	IC	1	PAVCA
	IC2008	C0DBGYY00578	IC	1	
	IC2301	CLAB00002875	IC	1	
	IC3001	CLAB00002855	IC	1	
	IC4510	CLAB00003048	IC	1	
	IC4511	C0DBGYY00578	IC	1	
	IC4512	C0CBCAG00039	IC	1	
	IC4513	C0DBGYY00618	IC	1	
	IC4800	CLZBZ0003775	IC	1	
	IC5001	C3ABRY000038	IC	1	
	IC5002	C3ABRY000038	IC	1	
	IC5100	MN84527	IC	1	
	IC5110	C0JBCZ000519	IC	1	
	IC5201	C0JBAB000703	IC	1	
	IC5300	C0CBCBD00062	IC	1	

Safety	Ref. No.	Part No.	Part Name & Description	Pcs	Remarks
	IC5401	C0CBZZE00001	IC	1	
	IC5480	CLZBZ0003972	IC	1	
	IC5606	C0EBF0000354	IC	1	
	IC5607	C0DBAYY00480	IC	1	
	IC5608	C0DBAYY00480	IC	1	
	IC5700	C0EBM0000026	IC	1	
	IC5851	C0DBAYY00480	IC	1	
	IC8001	MN2WS0053	IC	1	PAVCA
	IC8002	C3ABTY000015	IC	1	
	IC8003	C3ABTY000015	IC	1	
	IC8004	C0ZBZ0001567	IC	1	
	IC8300	MN88436	IC	1	PAVCA
	IC8302	C1CB00002987	IC	1	
	IC8500	C3ZBM0000084	IC	1	PAVCA
	IC8501	TVRQ483AGS	IC	1	PAVCA
	IC8502	TVRQ488S	IC	1	PAVCA
	IC8504	C3EBCG000100	IC	1	
	IC9001	TVRQ839S	IC	1	PAVCA
	IC9003	MNZSFH8KPF3	IC	1	PAVCA
	IC9004	CLZBZ0003983	IC	1	
	IC9300	MN84528	IC	1	
	IC9303	TVRQ625AAS	IC	1	PAVCA
	IC9500	CLZBZ0003760	IC	1	
	IC9805	C0DBAYY00477	IC	1	
	IC9806	C0DBAYY00478	IC	1	
	IC9807	C0DBAYY00477	IC	1	
	IC9808	C0CBCAC00365	IC	1	
	IC9902	C3ABRY000040	IC	1	
	IC9903	C3ABRY000040	IC	1	
	IC16131	C0ZBZ0000895	IC	1	
	IC16151	C0ZBZ0001324	IC	1	
	IC16241	C0JBAZ002811	IC	1	
	IC16251	C0BBBA000024	IC	1	
	IC16304	MIP3900MSSCF	IC	1	
	IC16312	C0DBZMC00006	IC	1	
	IC16464	C0JBAB000715	IC	1	
	IC16465	C0JBAB000715	IC	1	
	IC16471	C0DBEKA00003	IC	1	
	IC16490	C0DBZMC00006	IC	1	
	IC16491	NJM2406F	LINEAR IC	1	
	IC16501	C0ZBZ0001324	IC	1	
	IC16521	C0ZBZ0001324	IC	1	
	IC16561	C0JBAZ001120	IC	1	
	IC16562	C0JBAZ001120	IC	1	
	IC16563	C0JBAB000388	IC	1	
	IC16564	C0JBAB000715	IC	1	
	IC16581	C0BBBA000024	IC	1	
	IC16661	C0BBBA000024	IC	1	
	IC16691	C0JBAC000363	IC	1	
	IC16692	C0DBZMC00006	IC	1	
	IC16724	C0CBADC00072	IC	1	
	IC16725	C0CBADC00072	IC	1	
	IC16771	C0CBADC00072	IC	1	
	IC16773	C0JBAB000715	IC	1	
	IC16784	MIP9L02MBS	IC	1	
	IC16786	MIP3900MSSCF	IC	1	
	IC16787	C0DBZMC00006	IC	1	
	IC16788	MIP3900MSSCF	IC	1	
	IC16789	C0DBZMC00006	IC	1	
	IC16791	NOBF2GB00001	IC	1	
	IC16792	NJM2406F	LINEAR IC	1	
	IC16793	C0DBZMC00006	IC	1	
	IC16801	C0DBZMC00006	IC	1	
	IC16920	C0BBBA000024	IC	1	
	IC17201	C0JBAU000073	IC	1	PAVCA
	IC17202	C0JBAU000073	IC	1	PAVCA
	IC17203	C0JBAZ001120	IC	1	
	JK3000	K1U927A00005	CONNECTOR UNIT	1	PAVCA
	JK3001	K1FY115B0021	CONNECTOR	1	
	JK3701	K4AK08B00004	TERMINAL BOARD	1	PAVCA
	JK4502	K1FY119D0006	CONNECTOR	1	
	JK4503	K1FY119D0006	CONNECTOR	1	

Safety	Ref. No.	Part No.	Part Name & Description	Pcs	Remarks
	JK4504	K1FY119E0005	CONNECTOR	1	
	JK8301	K2LCLYYA0009	JACK	1	
	JK8302	K1NA09E00080	9P CONNECTOR	1	
	JS3051	DOYAR0000007	M 0 OHM 1/4W	1	
	JS3052	DOYAR0000007	M 0 OHM 1/4W	1	
	JS3054	DOYAR0000007	M 0 OHM 1/4W	1	
	JS4010	DOYAR0000007	M 0 OHM 1/4W	1	
	JS4015	DOGDR00Z0002	M 0 OHM, 1/10W	1	
	JS4017	DOGBR00Z0002	M 0 OHM J 1/16W	1	
	JS4018	DOGBR00Z0002	M 0 OHM J 1/16W	1	
	K1	K1KA10B00218	10P CONNECTOR	1	
	L1100	J0JYC0000068	CHIP INDUCTOR	1	
	L2032	J0JYC0000068	CHIP INDUCTOR	1	
	L2300	G1C220MA0291	INDUCTION COIL	1	
	L2302	G1C220MA0291	INDUCTION COIL	1	
	L2304	G1C220MA0291	INDUCTION COIL	1	
	L2306	G1C220MA0291	INDUCTION COIL	1	
	L3000	J0JYC0000068	CHIP INDUCTOR	1	
	L3001	J0JYC0000068	CHIP INDUCTOR	1	
	L3308	J0JCC0000269	CHIP INDUCTOR	1	
	L3309	J0JCC0000269	CHIP INDUCTOR	1	
	L3512	J0JHC0000042	CHIP INDUCTOR	1	
	L4500	J0JHC0000117	CHIP INDUCTOR	1	
	L4501	J0JHC0000117	CHIP INDUCTOR	1	
	L4502	J0JYC0000068	CHIP INDUCTOR	1	
	L4503	J0JYC0000068	CHIP INDUCTOR	1	
	L4504	J0JYC0000068	CHIP INDUCTOR	1	
	L4505	J0JYC0000068	CHIP INDUCTOR	1	
	L4506	J0JYC0000068	CHIP INDUCTOR	1	
	L4507	J0JYC0000068	CHIP INDUCTOR	1	
	L4508	J0JYC0000068	CHIP INDUCTOR	1	
	L4511	J0JYC0000068	CHIP INDUCTOR	1	
	L4512	J0JCC0000059	CHIP INDUCTOR	1	
	L4513	J0JCC0000059	CHIP INDUCTOR	1	
	L4514	J0JYC0000068	CHIP INDUCTOR	1	
	L4515	J0JYC0000068	CHIP INDUCTOR	1	
	L4516	J0JYC0000068	CHIP INDUCTOR	1	
	L4517	J0JYC0000068	CHIP INDUCTOR	1	
	L4518	J0JYC0000068	CHIP INDUCTOR	1	
	L4519	J0JYC0000068	CHIP INDUCTOR	1	
	L4530	J0JHC0000117	CHIP INDUCTOR	1	
	L4531	J0JYC0000068	CHIP INDUCTOR	1	
	L4532	J0JYC0000068	CHIP INDUCTOR	1	
	L5001	J0JHC0000045	CHIP INDUCTOR	1	
	L5002	J0JHC0000045	CHIP INDUCTOR	1	
	L5004	J0JHC0000045	CHIP INDUCTOR	1	
	L5005	J0JHC0000045	CHIP INDUCTOR	1	
	L5006	J0JHC0000045	CHIP INDUCTOR	1	
	L5007	J0JHC0000045	CHIP INDUCTOR	1	
	L5008	J0JHC0000045	CHIP INDUCTOR	1	
	L5302	J0JYC0000068	CHIP INDUCTOR	1	
	L5441	G1C100MA0072	INDUCTION COIL	1	
	L5442	G1C470MA0291	INDUCTION COIL	1	
	L5600	G1C2R2Z00007	INDUCTION COIL	1	
	L5601	G1C3R3Z00004	INDUCTION COIL	1	
	L5602	G1C4R7Z00015	INDUCTION COIL	1	PAVCA
	L5603	G1C100MA0203	INDUCTION COIL	1	
	L5604	J0JHC0000075	CHIP INDUCTOR	1	
	L5605	G1C100MA0203	INDUCTION COIL	1	
	L5606	G1C100MA0203	INDUCTION COIL	1	
	L5607	J0JHC0000045	CHIP INDUCTOR	1	
	L5700	G1C6R8Z00008	INDUCTION COIL	1	
	L5851	G1C2R2Z00007	INDUCTION COIL	1	
	L5852	G1C3R3Z00004	INDUCTION COIL	1	
	L5853	G1C100MA0203	INDUCTION COIL	1	
	L5854	J0JHC0000075	CHIP INDUCTOR	1	
	L8001	J0JHC0000045	CHIP INDUCTOR	1	
	L8002	J0JHC0000116	CHIP INDUCTOR	1	
	L8003	J0JHC0000116	CHIP INDUCTOR	1	
	L8004	J0JHC0000045	CHIP INDUCTOR	1	

Safety	Ref. No.	Part No.	Part Name & Description	Pcs	Remarks
	L8005	J0JHC0000045	CHIP INDUCTOR	1	
	L8008	J0JHC0000045	CHIP INDUCTOR	1	
	L8009	J0JHC0000045	CHIP INDUCTOR	1	
	L8010	J0JHC0000045	CHIP INDUCTOR	1	
	L8011	J0JHC0000045	CHIP INDUCTOR	1	
	L8012	J0JHC0000045	CHIP INDUCTOR	1	
	L8013	J0JHC0000045	CHIP INDUCTOR	1	
	L8300	J0JHC0000045	CHIP INDUCTOR	1	
	L8301	J0JHC0000045	CHIP INDUCTOR	1	
	L8302	J0JHC0000045	CHIP INDUCTOR	1	
	L8303	G1CR39JA0020	INDUCTION COIL	1	PAVCA
	L8304	G1CR39JA0020	INDUCTION COIL	1	PAVCA
	L8305	G1CR10JA0020	INDUCTION COIL	1	PAVCA
	L8307	J0JHC0000045	CHIP INDUCTOR	1	
	L8308	J0JHC0000045	CHIP INDUCTOR	1	
	L8309	J0JHC0000045	CHIP INDUCTOR	1	
	L8500	J0JHC0000075	CHIP INDUCTOR	1	
	L8501	ERJ3GEY0R00	M 0 OHM, 1/16W	1	
	L8506	ERJ3GEY0R00	M 0 OHM, 1/16W	1	
	L8507	J0JHC0000045	CHIP INDUCTOR	1	
	L8508	J0JHC0000045	CHIP INDUCTOR	1	
	L8509	J0JHC0000045	CHIP INDUCTOR	1	
	L9001	G1C3R3Z00004	INDUCTION COIL	1	
	L9002	G1C6R8Z00008	INDUCTION COIL	1	
	L9700	J0JHC0000117	CHIP INDUCTOR	1	
	L9701	J0JHC0000117	CHIP INDUCTOR	1	
	L9802	G1C6R8Z00010	INDUCTION COIL	1	
	L9900	J0JHC0000117	CHIP INDUCTOR	1	
	L9901	J0JHC0000117	CHIP INDUCTOR	1	
	L9903	J0JHC0000117	CHIP INDUCTOR	1	
	L9904	J0JHC0000117	CHIP INDUCTOR	1	
	L16001	G0CR82KA0147	CHOKE COIL	1	
	L16003	G0CR82KA0147	CHOKE COIL	1	
	L16004	G0CR82KA0147	CHOKE COIL	1	
	L16011	G0CR82KA0147	CHOKE COIL	1	
	L16012	G0CR82KA0147	CHOKE COIL	1	
	L16014	G0CR82KA0147	CHOKE COIL	1	
	L16103	G0ZZ00002183	PEAKING COIL	1	
	L16222	G0ZZ00002183	PEAKING COIL	1	
	L16271	G0ZZ00002183	PEAKING COIL	1	
	L16303	G0C471KA0167	PEAKING COIL	1	
	L16401	G0C1R1KA0206	PEAKING COIL	1	
	L16402	G0C1R1KA0206	PEAKING COIL	1	
	L16403	G0C1R1KA0206	PEAKING COIL	1	
	L16412	G0C1R1KA0206	PEAKING COIL	1	
	L16413	G0C1R1KA0206	PEAKING COIL	1	
	L16414	G0C1R1KA0206	PEAKING COIL	1	
	L16472	G0ZZ00002183	PEAKING COIL	1	
	L16697	G0C102KA0187	PEAKING COIL	1	
	L16698	G0C681MA0065	PEAKING COIL	1	
	L16699	G0C471KA0167	PEAKING COIL	1	
	L16851	G0ZZ00002183	PEAKING COIL	1	
	PA5601	K5H5022A0031	FUSE	1	
	PC2501	B3JB00000046	IC	1	
	PC16191	B3PBA0000496	IC	1	
	PC16301	B3PBA0000498	IC	1	
	PC16461	B3PBA0000457	IC	1	
	PC16480	B3PBA0000498	IC	1	
	PC16601	B3PBA0000498	IC	1	
	PC16603	B3PBA0000498	IC	1	
	PC16684	B3PBA0000496	IC	1	
	PC16685	B3PBA0000496	IC	1	
	PC16722	B3PBA0000498	IC	1	
	PC16723	B3PBA0000498	IC	1	
	PC16896	B3PBA0000498	IC	1	
⚠	PCB	TNPA4874S	CIRCUIT BOARD GK	1	(RTL) PAVCA
⚠	PCB	TXN/A1DVUUS	CIRCUIT BOARD A	1	(RTL) PAVCA
⚠	PCB	ETX2MM761MGN	CIRCUIT BOARD P	1	(RTL) PAVCA

Safety	Ref. No.	Part No.	Part Name & Description	Pcs	Remarks
⚠	PCB	TXNC11ECUU	CIRCUIT BOARD C1	1	(RTL) PAVCA
⚠	PCB	TXNC21ECUU	CIRCUIT BOARD C2	1	(RTL) PAVCA
⚠	PCB	TXNC31ECUU	CIRCUIT BOARD C3	1	(RTL) PAVCA
⚠	PCB	TXNSC1ECUU	CIRCUIT BOARD SC	1	(RTL) PAVCA
⚠	PCB	TXNSD1ECUU	CIRCUIT BOARD SD	1	PAVCA
⚠	PCB	TXNSS1ECUU	CIRCUIT BOARD SS	1	(RTL) PAVCA
⚠	PCB	TNPA4804S	CIRCUIT BOARD SS2	1	(RTL) PAVCA
⚠	PCB	TXNSU1ECUU	CIRCUIT BOARD SU	1	PAVCA
⚠	PCB	TNPA4873S	CIRCUIT BOARD S	1	(RTL) PAVCA
⚠	PCB	TNPA4871S	CIRCUIT BOARD K	1	(RTL) PAVCA
	Q2301	BLADCE000022	TRANSISTOR	1	
	Q2510	2SD0601ARL	TRANSISTOR	1	
	Q2511	2SD0601ARL	TRANSISTOR	1	
	Q3123	BLABCF000231	TRANSISTOR	1	
	Q3124	BLABCF000231	TRANSISTOR	1	
	Q3125	BLADCE000022	TRANSISTOR	1	
	Q4500	BLABCF000231	TRANSISTOR	1	
	Q4501	BLABCF000231	TRANSISTOR	1	
	Q4502	BLABCF000231	TRANSISTOR	1	
	Q4514	2SB0709ASL	TRANSISTOR	1	
	Q4515	2SB0709ASL	TRANSISTOR	1	
	Q4516	2SB0709ASL	TRANSISTOR	1	
	Q4517	2SB0709ASL	TRANSISTOR	1	
	Q4521	BLABCF000231	TRANSISTOR	1	
	Q4522	BLABCF000231	TRANSISTOR	1	
	Q4523	BLABCF000231	TRANSISTOR	1	
	Q5473	BLABCF000231	TRANSISTOR	1	
	Q5474	BLABCF000231	TRANSISTOR	1	
	Q5475	2SD0601ASL	TRANSISTOR	1	
	Q5476	2SD0601ASL	TRANSISTOR	1	
	Q5477	BLABCF000231	TRANSISTOR	1	
	Q5478	BLABCF000231	TRANSISTOR	1	
	Q5522	BLADCE000022	TRANSISTOR	1	
	Q5684	BLADCE000022	TRANSISTOR	1	
	Q5685	BLMBDDA00003	FET	1	
	Q5686	BLMBDDA00003	FET	1	
	Q5687	BLMBDDA00003	FET	1	
	Q5691	2SD0601ASL	TRANSISTOR	1	
	Q5692	2SD0601ASL	TRANSISTOR	1	
	Q5700	BLMBDDA00003	FET	1	
	Q5851	BLMBDDA00003	FET	1	
	Q5852	BLMBDDA00003	FET	1	
	Q8503	BLADKC000002	TRANSISTOR	1	
	Q8504	BLADKC000002	TRANSISTOR	1	
	Q9000	BLABCF000231	TRANSISTOR	1	
	Q9001	BLABCF000231	TRANSISTOR	1	
	Q9002	BLABCF000231	TRANSISTOR	1	
	Q9003	BLABCF000231	TRANSISTOR	1	
	Q9004	BLABCF000231	TRANSISTOR	1	
	Q9301	BLABCF000231	TRANSISTOR	1	
	Q9302	BLABCF000231	TRANSISTOR	1	
	Q9807	BLABCF000231	TRANSISTOR	1	
	Q16001	BLJADN000006	TRANSISTOR	1	PAVCA
	Q16002	BLJADN000006	TRANSISTOR	1	PAVCA
	Q16004	BLJADN000006	TRANSISTOR	1	PAVCA
	Q16021	BLJADN000006	TRANSISTOR	1	PAVCA
	Q16022	BLJADN000006	TRANSISTOR	1	PAVCA
	Q16023	BLJADN000006	TRANSISTOR	1	PAVCA
	Q16024	BLJADN000006	TRANSISTOR	1	PAVCA
	Q16041	BLJAEN000007	TRANSISTOR	1	PAVCA
	Q16042	BLJAEN000007	TRANSISTOR	1	PAVCA
	Q16051	BLJAEN000007	TRANSISTOR	1	PAVCA
	Q16052	BLJAEN000007	TRANSISTOR	1	PAVCA
	Q16055	BLHFFFA00001	TRANSISTOR	1	
	Q16056	BLHFFFA00001	TRANSISTOR	1	

Safety	Ref. No.	Part No.	Part Name & Description	Pcs	Remarks
	Q16101	2SK399500L	FET	1	
	Q16102	2SK399500L	FET	1	
	Q16141	BLHFFFA00001	TRANSISTOR	1	
	Q16161	BLHFFFA00001	TRANSISTOR	1	
	Q16191	BLHFFFA00001	TRANSISTOR	1	
	Q16251	2SD0601ARL	TRANSISTOR	1	
	Q16280	2SD0601ARL	TRANSISTOR	1	
	Q16402	2PG0110000RP	TRANSISTOR	1	
	Q16403	2PG0110000RP	TRANSISTOR	1	
	Q16404	2PG0110000RP	TRANSISTOR	1	
	Q16422	BLJADP000004	TRANSISTOR	1	
	Q16423	BLJADP000004	TRANSISTOR	1	
	Q16424	BLJADP000004	TRANSISTOR	1	
	Q16441	BLJAEP000007	TRANSISTOR	1	
	Q16442	BLJAEP000007	TRANSISTOR	1	
	Q16451	BLJAEP000006	TRANSISTOR	1	
	Q16452	BLJAEP000006	TRANSISTOR	1	
	Q16471	BLABCF000231	TRANSISTOR	1	
	Q16490	BLCBGD000001	FET	1	
	Q16501	BLHFFFA00001	TRANSISTOR	1	
	Q16502	BLHFFFA00001	TRANSISTOR	1	
	Q16521	BLHFFFA00001	TRANSISTOR	1	
	Q16522	BLHFFFA00001	TRANSISTOR	1	
	Q16531	BLHFFFA00001	TRANSISTOR	1	
	Q16551	BLHFFFA00001	TRANSISTOR	1	
	Q16601	BLCERR000025	FET	1	
	Q16602	2SD0601AQL	TRANSISTOR	1	
	Q16603	2SB0709ASL	TRANSISTOR	1	
	Q16604	BLCHPM000001	FET	1	
	Q16606	2SD0601AQL	TRANSISTOR	1	
	Q16607	BLCBGD000001	FET	1	
	Q16608	BLCBGD000001	FET	1	
	Q16621	BLJADN000004	TRANSISTOR	1	
	Q16622	BLJADN000004	TRANSISTOR	1	
	Q16623	BLJADN000004	TRANSISTOR	1	
	Q16624	2SB0709ASL	TRANSISTOR	1	
	Q16645	2SD0601AQL	TRANSISTOR	1	
	Q16646	2SB0709ASL	TRANSISTOR	1	
	Q16647	BLCBGD000001	FET	1	
	Q16649	BLABCN000007	TRANSISTOR	1	
	Q16660	BLCERR000025	FET	1	
	Q16661	BLJAER000003	TRANSISTOR	1	
	Q16662	2SD0601AQL	TRANSISTOR	1	
	Q16663	2SB0709ASL	TRANSISTOR	1	
	Q16667	2SB0709ARL	TRANSISTOR	1	
	Q16668	2SD0601AQL	TRANSISTOR	1	
	Q16670	BLADCN000007	TRANSISTOR	1	
	Q16671	BLABCF000231	TRANSISTOR	1	
	Q16675	BLADCN000007	TRANSISTOR	1	
	Q16676	BLABCF000231	TRANSISTOR	1	
	Q16677	2SD0601AQL	TRANSISTOR	1	
	Q16678	BLABCF000231	TRANSISTOR	1	
	Q16701	BLADCN000007	TRANSISTOR	1	
	Q16702	BLABCF000231	TRANSISTOR	1	
	Q16743	2SD0601ARL	TRANSISTOR	1	
	Q16762	BLHFFFA00001	TRANSISTOR	1	
	Q16801	BLADCN000007	TRANSISTOR	1	
	Q16810	BLABCF000231	TRANSISTOR	1	
	Q16815	BLABCN000007	TRANSISTOR	1	
	Q16816	2SD0601AQL	TRANSISTOR	1	
	Q16817	BLCBGD000001	FET	1	
	Q16818	BLCBGD000001	FET	1	
	Q16874	BLCBGD000001	FET	1	
	Q16875	BLABCF000231	TRANSISTOR	1	
	Q16876	BLABCF000231	TRANSISTOR	1	
	Q16882	BLABCF000231	TRANSISTOR	1	
	Q16884	2SD0601ARL	TRANSISTOR	1	
	Q16920	BLABCN000007	TRANSISTOR	1	
	R1000	ERJ2GEJ680	M 68 OHM, J,0.063W	1	
	R1001	ERJ2GEJ680	M 68 OHM, J,0.063W	1	



Safety	Ref. No.	Part No.	Part Name & Description	Pcs	Remarks
	R1015	ERJ2GEJ103	M 10KOHM, J,0.063W	1	
	R1020	ERJ2GEJ680	M 68 OHM, J,0.063W	1	
	R1022	ERJ2GEJ103	M 10KOHM, J,0.063W	1	
	R1023	ERJ2GEJ103	M 10KOHM, J,0.063W	1	
	R1024	ERJ2GEJ103	M 10KOHM, J,0.063W	1	
	R1025	ERJ2GEJ103	M 10KOHM, J,0.063W	1	
	R1104	ERJ2GEJ473	M 47KOHM, J,0.063W	1	
	R1124	ERJ2GEJ473	M 47KOHM, J,0.063W	1	
	R1125	ERJ2GEJ473	M 47KOHM, J,0.063W	1	
	R1146	ERJ2GEJ102X	M 1K OHM J 1/4W	1	
	R1149	ERJ2GEJ182	M 1.8KOHM, J,0.063W	1	
	R1153	ERJ2GEJ681	M 680 OHM, J,0.063W	1	
	R1162	ERJ2GEJ101	M 100 OHM, J,0.063W	1	
	R1171	ERJ2GEJ683	M 68KOHM, J,0.063W	1	
	R1172	ERJ2GEJ223	M 22KOHM, J,0.063W	1	
	R1182	ERJ2GED273X	M 27KOHM, J,0.063W	1	
	R1183	ERJ2GEJ220	M 22 OHM, J,0.063W	1	
	R1184	ERJ2GEJ220	M 22 OHM, J,0.063W	1	
	R1194	ERJ2GEJ683	M 68KOHM, J,0.063W	1	
	R1196	ERJ2GEJ473	M 47KOHM, J,0.063W	1	
	R1198	ERJ2GEJ101	M 100 OHM, J,0.063W	1	
	R1199	ERJ2RKD330	M 33 OHM, J, 2W	1	
	R1200	ERJ2GEJ472	M 4.7KOHM, J,0.063W	1	
	R1201	ERJ2GEJ472	M 4.7KOHM, J,0.063W	1	
	R1203	ERJ2GEJ473	M 47KOHM, J,0.063W	1	
	R1205	ERJ2GEJ220	M 22 OHM, J,0.063W	1	
	R1206	ERJ2GEJ220	M 22 OHM, J,0.063W	1	
	R1209	ERJ2GEJ472	M 4.7KOHM, J,0.063W	1	
	R1210	ERJ2GEJ473	M 47KOHM, J,0.063W	1	
	R1213	ERJ2GEJ220	M 22 OHM, J,0.063W	1	
	R1214	ERJ2GEJ473	M 47KOHM, J,0.063W	1	
	R1216	ERJ2GEJ103	M 10KOHM, J,0.063W	1	
	R1221	D1BB7151A055	M7.15KOHM, 1/10W	1	
	R1229	ERJ2GEJ101	M 100 OHM, J,0.063W	1	
	R1236	ERJ2GEJ473	M 47KOHM, J,0.063W	1	
	R1237	ERJ2GEJ102X	M 1K OHM J 1/4W	1	
	R1240	ERJ2GEJ472	M 4.7KOHM, J,0.063W	1	
	R1243	ERJ2GEJ473	M 47KOHM, J,0.063W	1	
	R1255	ERJ2GEJ102X	M 1K OHM J 1/4W	1	
	R1256	ERJ2GEJ473	M 47KOHM, J,0.063W	1	
	R1265	ERJ2GEJ473	M 47KOHM, J,0.063W	1	
	R1266	ERJ2GEJ101	M 100 OHM, J,0.063W	1	

Safety	Ref. No.	Part No.	Part Name & Description	Pcs	Remarks
	R2002	ERJ2GEJ821	M 820 OHM, J,0.063W	1	
	R2003	ERJ2GEJ105	M 1MOHM, J,0.063W	1	
	R2008	ERJ2GEJ331	M 330 OHM, J,0.063W	1	
	R2009	ERJ2GEJ331	M 330 OHM, J,0.063W	1	
	R2010	ERJ2GEJ331	M 330 OHM, J,0.063W	1	
	R2012	ERJ2GEJ220	M 22 OHM, J,0.063W	1	
	R2019	D1BB2002A055	M 20KOHM, 1/10W	1	
	R2020	D1BB2001A055	M 2KOHM, 1/10W	1	
	R2023	ERJ2GEJ103	M 10KOHM, J,0.063W	1	
	R2050	D1BB2802A055	M 28KOHM, 1/10W	1	
	R2051	D1BB2802A055	M 28KOHM, 1/10W	1	
	R2172	ERJ2GEJ680	M 68 OHM, J,0.063W	1	
	R2190	ERJ2GEJ103	M 10KOHM, J,0.063W	1	
	R2271	EXB28V220J	RESISTOR ARRAY	1	
	R2301	ERJ2GEJ222	M 2.2KOHM, J,0.063W	1	
	R2302	ERJ2GEJ222	M 2.2KOHM, J,0.063W	1	
	R2305	ERJ2GEJ471	M 470 OHM, J,0.063W	1	
	R2308	ERJ8GEYJ3R3V	M 3.3 OHM, J,1/8W	1	
	R2311	ERJ8GEYJ3R3V	M 3.3 OHM, J,1/8W	1	
	R2313	ERJ8GEYJ3R3V	M 3.3 OHM, J,1/8W	1	
	R2315	ERJ8GEYJ3R3V	M 3.3 OHM, J,1/8W	1	
	R2330	ERJ2GEJ392	M 3.9KOHM, J,0.063W	1	
	R2331	ERJ2GEJ221	M 220 OHM, J,0.063W	1	
	R2513	D1BB5601A055	M 5.6KOHM, 1/10W	1	
	R2516	ERJ3GEYJ223	M 22KOHM, J,1/16W	1	
	R2517	ERJ6GEYJ470V	M 47 OHM, J,1/10W	1	
	R2520	ERJ3GEYJ224	M 220KOHM, J,1/16W	1	
	R2524	ERJ3GEYJ223	M 22KOHM, J,1/16W	1	
	R2525	ERJ3GEYJ821	M820 OHM, J,1/16W	1	
	R2542	D0GB473JA057	M 47KOHM, J,1/16W	1	
	R2557	ERJ3GEYJ562	M 5.6KOHM, J,1/16W	1	
	R3058	ERJ2GEJ221	M 220 OHM, J,0.063W	1	
	R3059	ERJ2GEJ221	M 220 OHM, J,0.063W	1	
	R3062	ERJ2GEJ221	M 220 OHM, J,0.063W	1	
	R3066	D1BB75R0A055	M 75 OHM, 1/10W	1	
	R3067	ERJ2GEJ221	M 220 OHM, J,0.063W	1	
	R3068	ERJ2GEJ221	M 220 OHM, J,0.063W	1	
	R3070	ERJ2GEJ102X	M 1K OHM J 1/4W	1	
	R3074	ERJ2GEJ680	M 68 OHM, J,0.063W	1	
	R3075	ERJ2GEJ680	M 68 OHM, J,0.063W	1	
	R3077	ERJ2GEJ221	M 220 OHM, J,0.063W	1	
	R3078	ERJ2GEJ221	M 220 OHM, J,0.063W	1	
	R3079	ERJ2GEJ221	M 220 OHM, J,0.063W	1	
	R3080	ERJ2GEJ221	M 220 OHM, J,0.063W	1	
	R3081	ERJ2GEJ221	M 220 OHM, J,0.063W	1	
	R3082	ERJ2GEJ221	M 220 OHM, J,0.063W	1	

Safety	Ref. No.	Part No.	Part Name & Description	Pcs	Remarks
	R3083	ERJ2GEJ221	M 220 OHM, J,0.063W	1	
	R3084	ERJ2GEJ221	M 220 OHM, J,0.063W	1	
	R3085	ERJ2GEJ221	M 220 OHM, J,0.063W	1	
	R3086	ERJ2GEJ221	M 220 OHM, J,0.063W	1	
	R3087	ERJ2GEJ221	M 220 OHM, J,0.063W	1	
	R3088	ERJ2GEJ221	M 220 OHM, J,0.063W	1	
	R3089	ERJ2GEJ221	M 220 OHM, J,0.063W	1	
	R3090	ERJ2GEJ221	M 220 OHM, J,0.063W	1	
	R3095	ERJ2GEJ680	M 68 OHM, J,0.063W	1	
	R3096	ERJ2GEJ680	M 68 OHM, J,0.063W	1	
	R3097	ERJ2GEJ680	M 68 OHM, J,0.063W	1	
	R3098	ERJ2GEJ680	M 68 OHM, J,0.063W	1	
	R3099	ERJ2GEJ680	M 68 OHM, J,0.063W	1	
	R3103	ERJ2RKF1600	M 160 OHM, 0.063W	1	
	R3104	ERJ2RKF1600	M 160 OHM, 0.063W	1	
	R3107	ERJ2GEJ680	M 68 OHM, J,0.063W	1	
	R3123	ERJ2GEJ182	M 1.8KOHM, J,0.063W	1	
	R3124	ERJ2GEJ182	M 1.8KOHM, J,0.063W	1	
	R3145	ERJ2GEJ101	M 100 OHM, J,0.063W	1	
	R3146	ERJ2GEJ184	M 180KOHM, J,0.063W	1	
	R3147	ERJ2GEJ101	M 100 OHM, J,0.063W	1	
	R3148	ERJ2GEJ184	M 180KOHM, J,0.063W	1	
	R3149	ERJ2GEJ101	M 100 OHM, J,0.063W	1	
	R3150	ERJ2GEJ101	M 100 OHM, J,0.063W	1	
	R3151	ERJ2GEJ105	M 1MOHM, J,0.063W	1	
	R3152	ERJ2GEJ473	M 47KOHM, J,0.063W	1	
	R3153	ERJ2GEJ102X	M 1K OHM J 1/4W	1	
	R3154	ERJ2GEJ274	M 270KOHM, J,0.063W	1	
	R3188	ERJ2GEJ680	M 68 OHM, J,0.063W	1	
	R3189	D1BB75R0A055	M 75 OHM, 1/10W	1	
	R3190	D0GB393JA041	M 39KOHM,J,1/16W	1	
	R3191	D0GB393JA041	M 39KOHM,J,1/16W	1	
	R3192	D0GB393JA041	M 39KOHM,J,1/16W	1	
	R3193	D0GB393JA041	M 39KOHM,J,1/16W	1	
	R3194	D1BB75R0A055	M 75 OHM, 1/10W	1	
	R3195	ERJ2GEJ680	M 68 OHM, J,0.063W	1	
	R3196	ERJ2GEJ680	M 68 OHM, J,0.063W	1	
	R3198	D1BB75R0A055	M 75 OHM, 1/10W	1	
	R3199	D1BB75R0A055	M 75 OHM, 1/10W	1	
	R3202	D0GB393JA041	M 39KOHM,J,1/16W	1	
	R3203	D1BB75R0A055	M 75 OHM, 1/10W	1	
	R3204	D0GB393JA041	M 39KOHM,J,1/16W	1	
	R3208	D1BB75R0A055	M 75 OHM, 1/10W	1	
	R3209	D1BB75R0A055	M 75 OHM, 1/10W	1	
	R3211	D1BB75R0A055	M 75 OHM, 1/10W	1	
	R3212	D1BB75R0A055	M 75 OHM, 1/10W	1	
	R3301	D0GDR00Z0002	M 0 OHM, 1/10W	1	
	R3302	ERJ2GEJ101	M 100 OHM, J,0.063W	1	

Safety	Ref. No.	Part No.	Part Name & Description	Pcs	Remarks
	R3303	D0GDR00Z0002	M 0 OHM, 1/10W	1	
	R3305	ERJ2GEJ101	M 100 OHM, J,0.063W	1	
	R3306	ERJ2GEJ472	M 4.7KOHM, J,0.063W	1	
	R3307	ERJ2GEJ472	M 4.7KOHM, J,0.063W	1	
	R3310	D1BB75R0A055	M 75 OHM, 1/10W	1	
	R3311	D0YAR0000007	M 0 OHM 1/4W	1	
	R3313	D1BB75R0A055	M 75 OHM, 1/10W	1	
	R3316	D0YAR0000007	M 0 OHM 1/4W	1	
	R3318	D1BB75R0A055	M 75 OHM, 1/10W	1	
	R3319	D0YAR0000007	M 0 OHM 1/4W	1	
	R3570	D0GDR00Z0002	M 0 OHM, 1/10W	1	
	R3716	ERJ2GEJ393	M 39KOHM,J,0.063W	1	
	R3717	ERJ2GEJ393	M 39KOHM,J,0.063W	1	
	R3765	ERJ6GEY0R00V	M 0 OHM J 1/10W	1	
	R3771	ERJ6ENF2102	M 21KOHM, 1/10W	1	
	R3772	D1BD1741A044	M1.74KOHM, 1/10W	1	
	R3773	D1BD1621A044	M1.62KOHM, 1/10W	1	PAVCA
	R3774	D1BD2321A044	M2.32KOHM, 1/10W	1	PAVCA
	R3775	D1BD3161A044	M3.16KOHM, 1/10W	1	PAVCA
	R4006	ERJ2GEJ220	M 22 OHM, J,0.063W	1	
	R4122	ERJ2GEJ680	M 68 OHM, J,0.063W	1	
	R4123	ERJ2GEJ220	M 22 OHM, J,0.063W	1	
	R4124	ERJ2GEJ220	M 22 OHM, J,0.063W	1	
	R4125	ERJ2GEJ220	M 22 OHM, J,0.063W	1	
	R4126	ERJ2GEJ220	M 22 OHM, J,0.063W	1	
	R4127	ERJ2GEJ220	M 22 OHM, J,0.063W	1	
	R4128	ERJ2GEJ220	M 22 OHM, J,0.063W	1	
	R4129	ERJ2GEJ220	M 22 OHM, J,0.063W	1	
	R4130	ERJ2GEJ220	M 22 OHM, J,0.063W	1	
	R4131	ERJ2GEJ220	M 22 OHM, J,0.063W	1	
	R4132	ERJ2GEJ220	M 22 OHM, J,0.063W	1	
	R4133	ERJ2GEJ220	M 22 OHM, J,0.063W	1	
	R4138	ERJ2GEJ220	M 22 OHM, J,0.063W	1	
	R4170	ERJ2GEJ220	M 22 OHM, J,0.063W	1	
	R4171	ERJ2GEJ220	M 22 OHM, J,0.063W	1	
	R4500	ERJ2GEJ103	M 10KOHM, J,0.063W	1	
	R4501	ERJ2GEJ103	M 10KOHM, J,0.063W	1	
	R4502	ERJ2RKD330	M 33 OHM, J, 2W	1	
	R4503	ERJ2RKD330	M 33 OHM, J, 2W	1	
	R4504	ERJ2GEJ102X	M 1K OHM J 1/4W	1	
	R4505	ERJ2GEJ102X	M 1K OHM J 1/4W	1	
	R4506	ERJ2GEJ473	M 47KOHM, J,0.063W	1	
	R4507	ERJ2GEJ473	M 47KOHM, J,0.063W	1	
	R4510	ERJ2GEJ103	M 10KOHM, J,0.063W	1	
	R4511	ERJ2GEJ473	M 47KOHM, J,0.063W	1	
	R4512	ERJ2GEJ473	M 47KOHM, J,0.063W	1	
	R4513	ERJ2GEJ473	M 47KOHM, J,0.063W	1	
	R4514	ERJ2GEJ473	M 47KOHM, J,0.063W	1	

Safety	Ref. No.	Part No.	Part Name & Description	Pcs	Remarks
	R4515	ERJ2GEJ473	M 47KOHM, J,0.063W	1	
	R4516	ERJ2GEJ473	M 47KOHM, J,0.063W	1	
	R4517	ERJ2GEJ473	M 47KOHM, J,0.063W	1	
	R4519	ERJ2GEJ473	M 47KOHM, J,0.063W	1	
	R4522	ERJ2GEJ473	M 47KOHM, J,0.063W	1	
	R4524	ERJ2GEJ222	M 2.2KOHM, J,0.063W	1	
	R4525	ERJ2GEJ222	M 2.2KOHM, J,0.063W	1	
	R4528	ERJ2GEJ103	M 10KOHM, J,0.063W	1	
	R4530	ERJ2GEJ103	M 10KOHM, J,0.063W	1	
	R4538	ERJ2GEJ473	M 47KOHM, J,0.063W	1	
	R4540	ERJ2GEJ473	M 47KOHM, J,0.063W	1	
	R4552	ERJ2GEJ220	M 22 OHM, J,0.063W	1	
	R4558	ERJ2RKD330	M 33 OHM, J, 2W	1	
	R4559	ERJ2GEJ222	M 2.2KOHM, J,0.063W	1	
	R4560	ERJ2GEJ473	M 47KOHM, J,0.063W	1	
	R4561	ERJ2GEJ103	M 10KOHM, J,0.063W	1	
	R4562	ERJ2GEJ473	M 47KOHM, J,0.063W	1	
	R4563	ERJ2GEJ102X	M 1K OHM J 1/4W	1	
	R4587	D1BB60400001	M 604 OHM, 1/10W	1	
	R4588	D1BB8060A055	M 806 OHM, 1/10W	1	
	R4589	D1BB8060A055	M 806 OHM, 1/10W	1	
	R4592	D1BB8060A055	M 806 OHM, 1/10W	1	
	R4593	D1BB2201A055	M 2.2KOHM, 1/10W	1	
	R4596	ERJ6GEYJ102V	M 1K OHM J 1/10W	1	
	R4597	ERJ6GEYJ102V	M 1K OHM J 1/10W	1	
	R4598	ERJ6GEYJ102V	M 1K OHM J 1/10W	1	
	R4601	ERJ6GEYJ102V	M 1K OHM J 1/10W	1	
	R4604	ERJ2GEJ680	M 68 OHM, J,0.063W	1	
	R4616	ERJ2GEJ680	M 68 OHM, J,0.063W	1	
	R4620	ERJ2GEJ473	M 47KOHM, J,0.063W	1	
	R4623	DOYAR0000007	M 0 OHM 1/4W	1	
	R4624	ERJ2GEJ103	M 10KOHM, J,0.063W	1	
	R4626	D1BB2200A055	M 220 OHM, 1/10W	1	
	R4627	D1BB2200A055	M 220 OHM, 1/10W	1	
	R4631	D1BB4990A055	M 499 OHM, 1/10W	1	
	R4634	D1BB2200A055	M 220 OHM, 1/10W	1	
	R4635	EXB28V680JX	RESISTOR ARRAY	1	
	R4636	ERJ2GEJ680	M 68 OHM, J,0.063W	1	
	R4637	ERJ2GEJ680	M 68 OHM, J,0.063W	1	
	R4638	ERJ2GEJ680	M 68 OHM, J,0.063W	1	
	R4639	EXB28V680JX	RESISTOR ARRAY	1	
	R4640	EXB28V680JX	RESISTOR ARRAY	1	
	R4642	ERJ2GEJ473	M 47KOHM, J,0.063W	1	
	R4645	EXB28V680JX	RESISTOR ARRAY	1	
	R4646	EXB28V680JX	RESISTOR ARRAY	1	
	R4648	EXB28V330J	RESISTOR ARRAY	1	
	R4649	EXB28V680JX	RESISTOR ARRAY	1	
	R4650	ERJ2GEJ680	M 68 OHM, J,0.063W	1	
	R4651	ERJ2GEJ680	M 68 OHM, J,0.063W	1	
	R4652	ERJ2GEJ473	M 47KOHM, J,0.063W	1	

Safety	Ref. No.	Part No.	Part Name & Description	Pcs	Remarks
	R4665	ERJ2GEJ473	M 47KOHM, J,0.063W	1	
	R4666	ERJ2GEJ473	M 47KOHM, J,0.063W	1	
	R4674	ERJ2GEJ103	M 10KOHM, J,0.063W	1	
	R4677	ERJ2GEJ103	M 10KOHM, J,0.063W	1	
	R4678	EXB28V680JX	RESISTOR ARRAY	1	
	R4679	EXB28V680JX	RESISTOR ARRAY	1	
	R4698	ERJ2GEJ104	M 100KOHM, J,0.063W	1	
	R4699	ERJ2GEJ104	M 100KOHM, J,0.063W	1	
	R4720	ERJ2GEJ680	M 68 OHM, J,0.063W	1	
	R4721	ERJ2GEJ680	M 68 OHM, J,0.063W	1	
	R4722	ERJ2GEJ680	M 68 OHM, J,0.063W	1	
	R4723	ERJ2GEJ680	M 68 OHM, J,0.063W	1	
	R4736	ERJ2GEJ101	M 100 OHM, J,0.063W	1	
	R4737	ERJ2GEJ102X	M 1K OHM J 1/4W	1	
	R4738	ERJ2GEJ102X	M 1K OHM J 1/4W	1	
	R4739	ERJ2GEJ104	M 100KOHM, J,0.063W	1	
	R4740	ERJ2GEJ104	M 100KOHM, J,0.063W	1	
	R4799	EXB28V680JX	RESISTOR ARRAY	1	
	R4821	ERJ2GEJ103	M 10KOHM, J,0.063W	1	
	R5024	ERJ2GEJ101	M 100 OHM, J,0.063W	1	
	R5025	D1BB2700A055	M 270 OHM, 1/10W	1	
	R5026	D1BB2700A055	M 270 OHM, 1/10W	1	
	R5049	ERJ2GEJ470	M 47 OHM, J,0.063W	1	
	R5050	ERJ2GEJ470	M 47 OHM, J,0.063W	1	
	R5051	ERJ2GEJ470	M 47 OHM, J,0.063W	1	
	R5052	ERJ2GEJ470	M 47 OHM, J,0.063W	1	
	R5053	ERJ2GEJ470	M 47 OHM, J,0.063W	1	
	R5054	ERJ2GEJ470	M 47 OHM, J,0.063W	1	
	R5055	ERJ2GEJ470	M 47 OHM, J,0.063W	1	
	R5056	ERJ2GEJ470	M 47 OHM, J,0.063W	1	
	R5057	ERJ2GEJ470	M 47 OHM, J,0.063W	1	
	R5058	ERJ2GEJ470	M 47 OHM, J,0.063W	1	
	R5059	ERJ2GEJ470	M 47 OHM, J,0.063W	1	
	R5060	ERJ2GEJ470	M 47 OHM, J,0.063W	1	
	R5061	ERJ2GEJ470	M 47 OHM, J,0.063W	1	
	R5062	ERJ2GEJ470	M 47 OHM, J,0.063W	1	
	R5063	ERJ2GEJ470	M 47 OHM, J,0.063W	1	
	R5064	ERJ2GEJ470	M 47 OHM, J,0.063W	1	
	R5065	ERJ2GEJ470	M 47 OHM, J,0.063W	1	
	R5066	ERJ2GEJ470	M 47 OHM, J,0.063W	1	
	R5067	ERJ2GEJ221	M 220 OHM, J,0.063W	1	
	R5068	ERJ2GEJ470	M 47 OHM, J,0.063W	1	
	R5070	ERJ2GEJ470	M 47 OHM, J,0.063W	1	

Safety	Ref. No.	Part No.	Part Name & Description	Pcs	Remarks
	R5071	ERJ2GEJ470	M 47 OHM, J,0.063W	1	
	R5074	ERJ2GEJ103	M 10KOHM, J,0.063W	1	
	R5075	ERJ2RKF75R0	M 75 OHM, , 0.063W	1	
	R5076	ERJ2GEJ301	M 300 OHM, J,0.063W	1	
	R5078	ERJ2GEJ221	M 220 OHM, J,0.063W	1	
	R5079	ERJ2GEJ103	M 10KOHM, J,0.063W	1	
	R5080	ERJ2GEJ103	M 10KOHM, J,0.063W	1	
	R5082	ERJ2GEJ103	M 10KOHM, J,0.063W	1	
	R5093	ERJ2GEJ101	M 100 OHM, J,0.063W	1	
	R5094	ERJ2GEJ101	M 100 OHM, J,0.063W	1	
	R5098	ERJ3GEJY680	M 68 OHM, J,1/16W	1	
	R5102	D0GBR00Z0002	M 0 OHM J 1/16W	1	
	R5103	D0GB103JA041	M 10K OHM J 1/16W	1	
	R5104	ERJ2GEJ472	M 4.7KOHM, J,0.063W	1	
	R5105	ERJ2GEJ101	M 100 OHM, J,0.063W	1	
	R5106	ERJ2GEJ101	M 100 OHM, J,0.063W	1	
	R5107	ERJ2GEJ101	M 100 OHM, J,0.063W	1	
	R5108	ERJ2GEJ101	M 100 OHM, J,0.063W	1	
	R5109	ERJ2GEJ101	M 100 OHM, J,0.063W	1	
	R5110	ERJ2GEJ103	M 10KOHM, J,0.063W	1	
	R5148	ERJ2GEJ470	M 47 OHM, J,0.063W	1	
	R5149	ERJ2GEJ470	M 47 OHM, J,0.063W	1	
	R5150	ERJ2GEJ470	M 47 OHM, J,0.063W	1	
	R5152	ERJ2GEJ470	M 47 OHM, J,0.063W	1	
	R5153	ERJ2GEJ470	M 47 OHM, J,0.063W	1	
	R5176	ERJ2GEJ560X	M 56 OHM, J,0.063W	1	
	R5177	ERJ2GEJ560X	M 56 OHM, J,0.063W	1	
	R5178	ERJ2GEJ560X	M 56 OHM, J,0.063W	1	
	R5179	EXB2HV560JV	RESISTOR ARRAY	1	
	R5180	EXB2HV560JV	RESISTOR ARRAY	1	
	R5184	EXB2HV560JV	RESISTOR ARRAY	1	
	R5185	EXB2HV560JV	RESISTOR ARRAY	1	
	R5187	ERJ2GEJ104	M 100KOHM, J,0.063W	1	
	R5188	ERJ2GEJ104	M 100KOHM, J,0.063W	1	
	R5189	ERJ2GEJ104	M 100KOHM, J,0.063W	1	
	R5204	ERJ2GEJ472	M 4.7KOHM, J,0.063W	1	
	R5206	ERJ2GEJ472	M 4.7KOHM, J,0.063W	1	
	R5207	ERJ2GEJ472	M 4.7KOHM, J,0.063W	1	
	R5208	ERJ2GEJ105	M 1MOHM, J,0.063W	1	
	R5209	D0YAR0000007	M 0 OHM 1/4W	1	
	R5211	ERJ2GEJ103	M 10KOHM, J,0.063W	1	
	R5218	ERJ2GEJ560X	M 56 OHM, J,0.063W	1	
	R5219	ERJ2GEJ103	M 10KOHM, J,0.063W	1	

Safety	Ref. No.	Part No.	Part Name & Description	Pcs	Remarks
	R5223	ERJ2GEJ680	M 68 OHM, J,0.063W	1	
	R5224	D0YAR0000007	M 0 OHM 1/4W	1	
	R5227	ERJ2GEJ103	M 10KOHM, J,0.063W	1	
	R5230	ERJ2GEJ103	M 10KOHM, J,0.063W	1	
	R5231	EXB2HV330JV	RESISTOR ARRAY	1	
	R5232	EXB2HV330JV	RESISTOR ARRAY	1	
	R5259	ERJ2GEJ472	M 4.7KOHM, J,0.063W	1	
	R5260	ERJ2GEJ472	M 4.7KOHM, J,0.063W	1	
	R5324	ERJ2GEJ473	M 47KOHM, J,0.063W	1	
	R5335	ERJ2GEJ680	M 68 OHM, J,0.063W	1	
	R5485	ERJ2GEJ101	M 100 OHM, J,0.063W	1	
	R5486	ERJ2GEJ103	M 10KOHM, J,0.063W	1	
	R5487	ERJ2GEJ101	M 100 OHM, J,0.063W	1	
	R5503	D1BB1003A055	M 100KOHM, 1/10W	1	
	R5504	D1BB3401A055	M 3.4KOHM, 1/10W	1	
	R5505	ERJ3GEYD153V	M 15KOHM, J,1/16W	1	
	R5506	D1BB3902A055	M 39KOHM, 1/10W	1	
	R5512	ERJ2GEJ823	M 82KOHM, J,0.063W	1	
	R5513	ERJ2GEJ183	M 18KOHM, J,0.063W	1	
	R5514	ERJ2GEJ333	M 33KOHM, J,0.063W	1	
	R5515	ERJ2GEJ103	M 10KOHM, J,0.063W	1	
	R5516	ERJ2GEJ153	M 15KOHM, J,0.063W	1	
	R5517	ERJ2GEJ823	M 82KOHM, J,0.063W	1	
	R5518	ERJ2GEJ823	M 82KOHM, J,0.063W	1	
	R5519	ERJ2GEJ104	M 100KOHM, J,0.063W	1	
	R5520	ERJ2GEJ104	M 100KOHM, J,0.063W	1	
	R5523	ERJ2GEJ104	M 100KOHM, J,0.063W	1	
	R5524	ERJ2GEJ104	M 100KOHM, J,0.063W	1	
	R5525	ERJ2GEJ683	M 68KOHM, J,0.063W	1	
	R5526	ERJ2GEJ683	M 68KOHM, J,0.063W	1	
	R5527	ERJ2GEJ473	M 47KOHM, J,0.063W	1	
	R5528	ERJ2GEJ473	M 47KOHM, J,0.063W	1	
	R5529	ERJ2GEJ103	M 10KOHM, J,0.063W	1	
	R5530	ERJ2GEJ183	M 18KOHM, J,0.063W	1	
	R5535	ERJ2GEJ223	M 22KOHM, J,0.063W	1	
	R5536	ERJ2GEJ473	M 47KOHM, J,0.063W	1	
	R5537	ERJ2GEJ102X	M 1K OHM J 1/4W	1	
	R5538	ERJ2GEJ103	M 10KOHM, J,0.063W	1	
	R5540	ERJ2GEJ471	M 470 OHM, J,0.063W	1	
	R5542	ERJ2GEJ471	M 470 OHM, J,0.063W	1	
	R5544	ERJ2GEJ471	M 470 OHM, J,0.063W	1	
	R5546	ERJ2GEJ471	M 470 OHM, J,0.063W	1	
	R5600	D0YAR0000007	M 0 OHM 1/4W	1	
	R5602	ERJ2GEJ680	M 68 OHM, J,0.063W	1	

Safety	Ref. No.	Part No.	Part Name & Description	Pcs	Remarks
	R5636	ERJ2GEJ223	M 22KOHM, J,0.063W	1	
	R5637	ERJ2GEJ683	M 68KOHM, J,0.063W	1	
	R5638	ERJ2GEJ103	M 10KOHM, J,0.063W	1	
	R5639	ERJ2GEJ473	M 47KOHM, J,0.063W	1	
	R5640	ERJ2GEJ222	M 2.2KOHM, J,0.063W	1	
	R5641	ERJ2GEJ103	M 10KOHM, J,0.063W	1	
	R5642	ERJ2GEJ473	M 47KOHM, J,0.063W	1	
	R5648	ERJ2GEJ103	M 10KOHM, J,0.063W	1	
	R5650	ERJ2GED563X	M 56KOHM, J,0.063W	1	
	R5651	ERJ2GED563X	M 56KOHM, J,0.063W	1	
	R5652	ERJ2GEJ104	M 100KOHM, J,0.063W	1	
	R5662	ERJ2GEJ103	M 10KOHM, J,0.063W	1	
	R5664	ERJ2GEJ105	M 1MOHM, J,0.063W	1	
	R5665	ERJ2GEJ101	M 100 OHM, J,0.063W	1	
	R5666	ERJ2GEJ471	M 470 OHM, J,0.063W	1	
	R5667	ERJ2GEJ101	M 100 OHM, J,0.063W	1	
	R5669	D1BB1602A055	M 16KOHM, 1/10W	1	
	R5670	D1BB4752A055	M47.5KOHM, 1/10W	1	
	R5671	D1BB2702A055	M 27KOHM, 1/10W	1	
	R5672	ERJ2GEJ5R6X	M 5.6 OHM, J,0.063W	1	
	R5673	ERJ2GEJ680	M 68 OHM, J,0.063W	1	
	R5674	D1BB2702A055	M 27KOHM, 1/10W	1	
	R5675	D1BB2402A055	M 24KOHM, 1/10W	1	
	R5676	D1BB5102A055	M 51KOHM, 1/10W	1	
	R5677	D1BB3002A055	M 30KOHM, 1/10W	1	
	R5678	D1BB1602A055	M 16KOHM, 1/10W	1	
	R5679	D1BB1602A055	M 16KOHM, 1/10W	1	
	R5680	ERJ2GEJ5R6X	M 5.6 OHM, J,0.063W	1	
	R5700	D1BB8202A055	M 82KOHM, 1/10W	1	PAVCA
	R5701	D1BB1332A055	M13.3KOHM, 1/10W	1	PAVCA
	R5702	D1BB1602A055	M 16KOHM, 1/10W	1	
	R5733	ERJ2GEJ153	M 15KOHM, J,0.063W	1	
	R5777	ERJ2GEJ103	M 10KOHM, J,0.063W	1	
	R5778	ERJ2GEJ123	M 12KOHM, J,0.063W	1	
	R5779	ERJ2GEJ473	M 47KOHM, J,0.063W	1	
	R5855	D1BB2702A055	M 27KOHM, 1/10W	1	
	R5856	D1BB2402A055	M 24KOHM, 1/10W	1	
	R5857	D1BB5102A055	M 51KOHM, 1/10W	1	
	R5858	D1BB3002A055	M 30KOHM, 1/10W	1	
	R5859	D1BB1602A055	M 16KOHM, 1/10W	1	
	R5860	D1BB1602A055	M 16KOHM, 1/10W	1	
	R5861	ERJ2GEJ5R6X	M 5.6 OHM, J,0.063W	1	
	R8004	D1BB2402A055	M 24KOHM, 1/10W	1	
	R8005	D1BB1002A055	M 10KOHM, 1/10W	1	
	R8006	D1BB2402A055	M 24KOHM, 1/10W	1	
	R8007	D0GBR00Z0002	M 0 OHM J 1/16W	1	
	R8026	DOYAR0000007	M 0 OHM 1/4W	1	
	R8027	DOYAR0000007	M 0 OHM 1/4W	1	
	R8030	ERJ2GEJ101	M 100 OHM, J,0.063W	1	
	R8031	ERJ2RKF1001	M 1KOHM, 0.063W	1	
	R8032	ERJ2RKF1001	M 1KOHM, 0.063W	1	
	R8056	ERJ2GEJ470	M 47 OHM, J,0.063W	1	

Safety	Ref. No.	Part No.	Part Name & Description	Pcs	Remarks
	R8057	ERJ2GEJ470	M 47 OHM, J,0.063W	1	
	R8058	ERJ2GEJ470	M 47 OHM, J,0.063W	1	
	R8059	ERJ2GEJ470	M 47 OHM, J,0.063W	1	
	R8060	ERJ2GEJ470	M 47 OHM, J,0.063W	1	
	R8061	ERJ2GEJ470	M 47 OHM, J,0.063W	1	
	R8062	ERJ2GEJ470	M 47 OHM, J,0.063W	1	
	R8063	ERJ2GEJ470	M 47 OHM, J,0.063W	1	
	R8064	ERJ2GEJ470	M 47 OHM, J,0.063W	1	
	R8065	ERJ2GEJ470	M 47 OHM, J,0.063W	1	
	R8066	ERJ2GEJ470	M 47 OHM, J,0.063W	1	
	R8067	ERJ2GEJ470	M 47 OHM, J,0.063W	1	
	R8068	ERJ2GEJ470	M 47 OHM, J,0.063W	1	
	R8069	ERJ2GEJ470	M 47 OHM, J,0.063W	1	
	R8070	ERJ2GEJ470	M 47 OHM, J,0.063W	1	
	R8071	ERJ2GEJ470	M 47 OHM, J,0.063W	1	
	R8072	ERJ2GEJ470	M 47 OHM, J,0.063W	1	
	R8073	ERJ2GEJ470	M 47 OHM, J,0.063W	1	
	R8074	ERJ2GEJ221	M 220 OHM, J,0.063W	1	
	R8075	ERJ2GEJ470	M 47 OHM, J,0.063W	1	
	R8076	ERJ2GEJ470	M 47 OHM, J,0.063W	1	
	R8077	ERJ2GEJ470	M 47 OHM, J,0.063W	1	
	R8078	ERJ2GEJ470	M 47 OHM, J,0.063W	1	
	R8081	ERJ2GEJ103	M 10KOHM, J,0.063W	1	
	R8082	ERJ2RKF75R0	M 75 OHM, , 0.063W	1	
	R8083	ERJ2GEJ301	M 300 OHM, J,0.063W	1	
	R8086	ERJ2GEJ104	M 100KOHM, J,0.063W	1	
	R8088	ERJ2GEJ103	M 10KOHM, J,0.063W	1	
	R8090	ERJ2GEJ103	M 10KOHM, J,0.063W	1	
	R8091	ERJ2GEJ680	M 68 OHM, J,0.063W	1	
	R8092	ERJ2GEJ680	M 68 OHM, J,0.063W	1	
	R8093	ERJ2GEJ820	M 82 OHM, J,0.063W	1	
	R8096	ERJ2GEJ820	M 82 OHM, J,0.063W	1	
	R8097	ERJ2GEJ221	M 220 OHM, J,0.063W	1	
	R8098	D0GBR00Z0002	M 0 OHM J 1/16W	1	
	R8100	ERJ2GEJ470	M 47 OHM, J,0.063W	1	
	R8101	ERJ2GEJ103	M 10KOHM, J,0.063W	1	
	R8106	ERJ2GEJ103	M 10KOHM, J,0.063W	1	
	R8107	D1BB6201A055	M6.20KOHM, 1/10W	1	
	R8109	ERJ2GEJ222	M 2.2KOHM, J,0.063W	1	
	R8112	ERJ2GEJ103	M 10KOHM, J,0.063W	1	
	R8114	ERJ2GEJ103	M 10KOHM, J,0.063W	1	

Safety	Ref. No.	Part No.	Part Name & Description	Pcs	Remarks
	R8115	ERJ2GEJ103	M 10KOHM, J,0.063W	1	
	R8300	DOGBR00Z0002	M 0 OHM J 1/16W	1	
	R8301	DOGBR00Z0002	M 0 OHM J 1/16W	1	
	R8302	ERJ2GEJ470	M 47 OHM, J,0.063W	1	
	R8303	ERJ2GEJ470	M 47 OHM, J,0.063W	1	
	R8304	DOYAR0000007	M 0 OHM 1/4W	1	
	R8305	DOGBR00Z0002	M 0 OHM J 1/16W	1	
	R8309	DOYAR0000007	M 0 OHM 1/4W	1	
	R8310	DOYAR0000007	M 0 OHM 1/4W	1	
	R8312	DOYAR0000007	M 0 OHM 1/4W	1	
	R8313	DOYAR0000007	M 0 OHM 1/4W	1	
	R8315	ERJ2GEJ221	M 220 OHM, J,0.063W	1	
	R8316	ERJ2GEJ471	M 470 OHM, J,0.063W	1	
	R8318	ERJ2GEJ102X	M 1K OHM J 1/4W	1	
	R8319	D1BB1002A055	M 10KOHM, 1/10W	1	
	R8321	ERJ2GEJ222	M 2.2KOHM, J,0.063W	1	
	R8323	ERJ2GEJ221	M 220 OHM, J,0.063W	1	
	R8324	ERJ2GEJ222	M 2.2KOHM, J,0.063W	1	
	R8326	ERJ2GEJ103	M 10KOHM, J,0.063W	1	
	R8327	ERJ2GEJ473	M 47KOHM, J,0.063W	1	
	R8328	ERJ2GEJ101	M 100 OHM, J,0.063W	1	
	R8330	ERJ2GEJ470	M 47 OHM, J,0.063W	1	
	R8332	ERJ2GEJ470	M 47 OHM, J,0.063W	1	
	R8334	ERJ2GEJ470	M 47 OHM, J,0.063W	1	
	R8335	ERJ2GEJ470	M 47 OHM, J,0.063W	1	
	R8338	ERJ2GEJ473	M 47KOHM, J,0.063W	1	
	R8350	ERJ2GEJ473	M 47KOHM, J,0.063W	1	
	R8351	ERJ2GEJ473	M 47KOHM, J,0.063W	1	
	R8500	ERJ2GEJ222	M 2.2KOHM, J,0.063W	1	
	R8503	EXB2HVR000	RESISTOR ARRAY	1	
	R8511	ERJ2GEJ472	M 4.7KOHM, J,0.063W	1	
	R8513	ERJ2GEJ332	M 3.3KOHM, J,0.063W	1	
	R8514	ERJ2GEJ332	M 3.3KOHM, J,0.063W	1	
	R8515	EXB28V330J	RESISTOR ARRAY	1	
	R8516	EXB28V330J	RESISTOR ARRAY	1	
	R8540	ERJ2GEJ102X	M 1K OHM J 1/4W	1	
	R8576	ERJ2GEJ680	M 68 OHM, J,0.063W	1	
	R8578	ERJ2GEJ680	M 68 OHM, J,0.063W	1	
	R8583	ERJ2GEJ680	M 68 OHM, J,0.063W	1	
	R8590	ERJ2GEJ220	M 22 OHM, J,0.063W	1	
	R8591	ERJ2GEJ680	M 68 OHM, J,0.063W	1	
	R8592	ERJ2GEJ680	M 68 OHM, J,0.063W	1	
	R8593	ERJ2GEJ680	M 68 OHM, J,0.063W	1	
	R8594	ERJ2GEJ680	M 68 OHM, J,0.063W	1	
	R8595	ERJ2GEJ680	M 68 OHM, J,0.063W	1	
	R8596	ERJ2GEJ680	M 68 OHM, J,0.063W	1	

Safety	Ref. No.	Part No.	Part Name & Description	Pcs	Remarks
	R8597	ERJ2GEJ680	M 68 OHM, J,0.063W	1	
	R8608	ERJ2GEJ680	M 68 OHM, J,0.063W	1	
	R8610	ERJ2GEJ680	M 68 OHM, J,0.063W	1	
	R8611	ERJ2GEJ680	M 68 OHM, J,0.063W	1	
	R8612	ERJ2GEJ680	M 68 OHM, J,0.063W	1	
	R8613	ERJ2GEJ680	M 68 OHM, J,0.063W	1	
	R8614	ERJ2GEJ680	M 68 OHM, J,0.063W	1	
	R8615	ERJ2GEJ680	M 68 OHM, J,0.063W	1	
	R8616	ERJ2GEJ680	M 68 OHM, J,0.063W	1	
	R8617	ERJ2GEJ680	M 68 OHM, J,0.063W	1	
	R8623	ERJ2GEJ680	M 68 OHM, J,0.063W	1	
	R8624	ERJ2GEJ680	M 68 OHM, J,0.063W	1	
	R8626	ERJ2GEJ103	M 10KOHM, J,0.063W	1	
	R8628	ERJ2GEJ103	M 10KOHM, J,0.063W	1	
	R8629	ERJ2GEJ103	M 10KOHM, J,0.063W	1	
	R8630	ERJ2GEJ103	M 10KOHM, J,0.063W	1	
	R8631	ERJ2GEJ103	M 10KOHM, J,0.063W	1	
	R8636	ERJ2RKF2491	M 2.49KOHM, 0.063W	1	
	R8644	ERJ2GEJ680	M 68 OHM, J,0.063W	1	
	R8648	EXB2HV103JV	RESISTOR ARRAY	1	
	R8649	EXB2HV103JV	RESISTOR ARRAY	1	
	R8653	ERJ2GEJ103	M 10KOHM, J,0.063W	1	
	R8655	ERJ2GEJ222	M 2.2KOHM, J,0.063W	1	
	R8656	EXB2HV103JV	RESISTOR ARRAY	1	
	R8657	ERJ2GEJ103	M 10KOHM, J,0.063W	1	
	R8661	ERJ2GEJ103	M 10KOHM, J,0.063W	1	
	R8663	ERJ2GEJ103	M 10KOHM, J,0.063W	1	
	R8667	ERJ2GEJ680	M 68 OHM, J,0.063W	1	
	R8669	ERJ2GEJ103	M 10KOHM, J,0.063W	1	
	R8672	EXB2HV680J	RESISTOR ARRAY	1	
	R8673	EXB2HV680J	RESISTOR ARRAY	1	
	R8674	EXB2HV103JV	RESISTOR ARRAY	1	
	R8676	ERJ2GEJ222	M 2.2KOHM, J,0.063W	1	
	R8677	ERJ2GEJ103	M 10KOHM, J,0.063W	1	
	R8678	ERJ2GEJ332	M 3.3KOHM, J,0.063W	1	
	R8679	ERJ2GEJ332	M 3.3KOHM, J,0.063W	1	
	R8684	ERJ2GEJ472	M 4.7KOHM, J,0.063W	1	
	R8685	ERJ2GEJ472	M 4.7KOHM, J,0.063W	1	
	R8686	ERJ2GEJ472	M 4.7KOHM, J,0.063W	1	
	R8687	ERJ2GEJ472	M 4.7KOHM, J,0.063W	1	
	R8688	EXB2HV680J	RESISTOR ARRAY	1	
	R8689	EXB2HV680J	RESISTOR ARRAY	1	
	R8690	EXB2HV680J	RESISTOR ARRAY	1	
	R8691	ERJ2GEJ103	M 10KOHM, J,0.063W	1	

Safety	Ref. No.	Part No.	Part Name & Description	Pcs	Remarks
	R8692	ERJ2GEJ103	M 10KOHM, J,0.063W	1	
	R8694	ERJ2GEJ103	M 10KOHM, J,0.063W	1	
	R8695	ERJ2GEJ103	M 10KOHM, J,0.063W	1	
	R8696	ERJ2GEJ103	M 10KOHM, J,0.063W	1	
	R8703	ERJ2GEJ101	M 100 OHM, J,0.063W	1	
	R8714	ERJ2GEJ103	M 10KOHM, J,0.063W	1	
	R8715	ERJ2GEJ103	M 10KOHM, J,0.063W	1	
	R8716	ERJ2GEJ473	M 47KOHM, J,0.063W	1	
	R8717	ERJ2GEJ222	M 2.2KOHM, J,0.063W	1	
	R8724	ERJ2GEJ680	M 68 OHM, J,0.063W	1	
	R8726	ERJ2GEJ680	M 68 OHM, J,0.063W	1	
	R8727	ERJ2GEJ121	M 120 OHM, J,0.063W	1	
	R8728	ERJ2GEJ121	M 120 OHM, J,0.063W	1	
	R8729	ERJ2GEJ121	M 120 OHM, J,0.063W	1	
	R8730	ERJ2GEJ121	M 120 OHM, J,0.063W	1	
	R8731	ERJ2GEJ121	M 120 OHM, J,0.063W	1	
	R8732	ERJ2GEJ121	M 120 OHM, J,0.063W	1	
	R8733	ERJ2GEJ121	M 120 OHM, J,0.063W	1	
	R8734	ERJ2GEJ121	M 120 OHM, J,0.063W	1	
	R8735	ERJ2GEJ121	M 120 OHM, J,0.063W	1	
	R8736	ERJ2GEJ121	M 120 OHM, J,0.063W	1	
	R8737	ERJ2GEJ121	M 120 OHM, J,0.063W	1	
	R8738	ERJ2GEJ121	M 120 OHM, J,0.063W	1	
	R8739	ERJ2GEJ121	M 120 OHM, J,0.063W	1	
	R8740	ERJ2GEJ121	M 120 OHM, J,0.063W	1	
	R8741	ERJ2GEJ680	M 68 OHM, J,0.063W	1	
	R8742	D1HG1218A002	NETWORK RESISTER	1	
	R8743	D1HG1218A002	NETWORK RESISTER	1	
	R8744	D1HG1218A002	NETWORK RESISTER	1	
	R8745	D1HG1218A002	NETWORK RESISTER	1	
	R8747	ERJ2GEJ103	M 10KOHM, J,0.063W	1	
	R8749	ERJ2GEJ103	M 10KOHM, J,0.063W	1	
	R8750	ERJ2GEJ103	M 10KOHM, J,0.063W	1	
	R8751	ERJ2GEJ103	M 10KOHM, J,0.063W	1	
	R8752	ERJ2GEJ103	M 10KOHM, J,0.063W	1	
	R8754	ERJ2GEJ470	M 47 OHM, J,0.063W	1	
	R8755	ERJ2GEJ470	M 47 OHM, J,0.063W	1	
	R8756	ERJ2GEJ470	M 47 OHM, J,0.063W	1	
	R8757	ERJ2GEJ103	M 10KOHM, J,0.063W	1	
	R8758	ERJ2GEJ470	M 47 OHM, J,0.063W	1	
	R8786	D0YAR0000007	M 0 OHM 1/4W	1	
	R8796	ERJ2GEJ103	M 10KOHM, J,0.063W	1	

Safety	Ref. No.	Part No.	Part Name & Description	Pcs	Remarks
	R8797	ERJ2GEJ103	M 10KOHM, J,0.063W	1	
	R8799	ERJ2GEJ103	M 10KOHM, J,0.063W	1	
	R8801	ERJ2GEJ103	M 10KOHM, J,0.063W	1	
	R8802	ERJ2GEJ103	M 10KOHM, J,0.063W	1	
	R8831	D0YAR0000007	M 0 OHM 1/4W	1	
	R9070	ERJ2GEJ103	M 10KOHM, J,0.063W	1	
	R9071	ERJ2GEJ223	M 22KOHM, J,0.063W	1	
	R9072	ERJ2GEJ102X	M 1K OHM J 1/4W	1	
	R9073	ERJ2GEJ472	M 4.7KOHM, J,0.063W	1	
	R9077	D1BB1102A055	M 11KOHM, 1/10W	1	
	R9078	D1BB4302A055	M 43KOHM, 1/10W	1	
	R9079	D1BB2702A055	M 27KOHM, 1/10W	1	
	R9080	D1BB1502A055	M 15KOHM, 1/10W	1	
	R9081	D1BB4702A055	M 47KOHM, 1/10W	1	
	R9083	D0YAR0000007	M 0 OHM 1/4W	1	
	R9084	D0YAR0000007	M 0 OHM 1/4W	1	
	R9085	ERJ2GEJ470	M 47 OHM, J,0.063W	1	
	R9086	ERJ2GEJ470	M 47 OHM, J,0.063W	1	
	R9087	ERJ2GEJ101	M 100 OHM, J,0.063W	1	
	R9088	D1BB1802A055	M 18KOHM, 1/10W	1	
	R9089	D1BB1502A055	M 15KOHM, 1/10W	1	
	R9091	D1BB2702A055	M 27KOHM, 1/10W	1	
	R9092	D1BB1202A055	M 12KOHM, 1/10W	1	
	R9095	ERJ2GEJ103	M 10KOHM, J,0.063W	1	
	R9096	ERJ2GEJ472	M 4.7KOHM, J,0.063W	1	
	R9097	ERJ2GEJ472	M 4.7KOHM, J,0.063W	1	
	R9098	ERJ2GEJ472	M 4.7KOHM, J,0.063W	1	
	R9099	ERJ2GEJ101	M 100 OHM, J,0.063W	1	
	R9100	ERJ2GEJ473	M 47KOHM, J,0.063W	1	
	R9101	ERJ2GEJ333	M 33KOHM, J,0.063W	1	
	R9102	ERJ2GEJ101	M 100 OHM, J,0.063W	1	
	R9103	ERJ2GEJ473	M 47KOHM, J,0.063W	1	
	R9104	ERJ2GEJ472	M 4.7KOHM, J,0.063W	1	
	R9105	ERJ2GEJ103	M 10KOHM, J,0.063W	1	
	R9106	ERJ2GEJ104	M 100KOHM, J,0.063W	1	
	R9107	ERJ2GEJ332	M 3.3KOHM, J,0.063W	1	
	R9108	ERJ2GEJ103	M 10KOHM, J,0.063W	1	
	R9109	ERJ2GEJ103	M 10KOHM, J,0.063W	1	
	R9110	ERJ2GEJ101	M 100 OHM, J,0.063W	1	
	R9113	ERJ2GEJ104	M 100KOHM, J,0.063W	1	
	R9115	ERJ2GEJ101	M 100 OHM, J,0.063W	1	
	R9116	ERJ2GEJ101	M 100 OHM, J,0.063W	1	
	R9119	EXB38V470J	RESISTOR ARRAY	1	
	R9120	ERJ2GEJ101	M 100 OHM, J,0.063W	1	
	R9121	ERJ2GEJ104	M 100KOHM, J,0.063W	1	
	R9124	ERJ2GEJ470	M 47 OHM, J,0.063W	1	

Safety	Ref. No.	Part No.	Part Name & Description	Pcs	Remarks
	R9129	ERJ2GEJ683	M 68KOHM, J,0.063W	1	
	R9130	ERJ2GEJ470	M 47 OHM, J,0.063W	1	
	R9142	ERJ2GEJ101	M 100 OHM, J,0.063W	1	
	R9145	ERJ2GEJ101	M 100 OHM, J,0.063W	1	
	R9149	ERJ2GEJ472	M 4.7KOHM, J,0.063W	1	
	R9152	ERJ2GEJ103	M 10KOHM, J,0.063W	1	
	R9153	ERJ2GEJ103	M 10KOHM, J,0.063W	1	
	R9154	ERJ2RHD272	M 2.7KOHM, J, 2W	1	
	R9155	ERJ2RHD272	M 2.7KOHM, J, 2W	1	
	R9164	ERJ2GEJ103	M 10KOHM, J,0.063W	1	
	R9166	ERJ2GEJ103	M 10KOHM, J,0.063W	1	
	R9187	ERJ2RHD272	M 2.7KOHM, J, 2W	1	
	R9188	ERJ2RHD272	M 2.7KOHM, J, 2W	1	
	R9189	ERJ2GEJ103	M 10KOHM, J,0.063W	1	
	R9202	ERJ2GEJ101	M 100 OHM, J,0.063W	1	
	R9203	ERJ2GEJ223	M 22KOHM, J,0.063W	1	
	R9205	ERJ2GEJ333	M 33KOHM, J,0.063W	1	
	R9206	ERJ2GED563X	M 56KOHM, J,0.063W	1	
	R9207	ERJ2GEJ243	M 24KOHM, J,0.063W	1	
	R9208	DOYAR0000007	M 0 OHM 1/4W	1	
	R9209	EXB2HVR000	RESISTOR ARRAY	1	
	R9211	D0GBR00Z0002	M 0 OHM J 1/16W	1	
	R9212	ERJ2GEJ470	M 47 OHM, J,0.063W	1	
	R9213	ERJ2GEJ470	M 47 OHM, J,0.063W	1	
	R9215	ERJ2GEJ104	M 100KOHM, J,0.063W	1	
	R9216	DOYAR0000007	M 0 OHM 1/4W	1	
	R9222	D0GBR00Z0002	M 0 OHM J 1/16W	1	
	R9223	ERJ2RHD272	M 2.7KOHM, J, 2W	1	
	R9225	ERJ2RHD272	M 2.7KOHM, J, 2W	1	
	R9226	DOYAR0000007	M 0 OHM 1/4W	1	
	R9227	DOYAR0000007	M 0 OHM 1/4W	1	
	R9228	ERJ2GEJ470	M 47 OHM, J,0.063W	1	
	R9229	ERJ2GEJ470	M 47 OHM, J,0.063W	1	
	R9234	ERJ2GEJ101	M 100 OHM, J,0.063W	1	
	R9235	ERJ2GEJ101	M 100 OHM, J,0.063W	1	
	R9236	ERJ2GEJ101	M 100 OHM, J,0.063W	1	
	R9237	ERJ2GEJ101	M 100 OHM, J,0.063W	1	
	R9238	ERJ2GEJ101	M 100 OHM, J,0.063W	1	
	R9239	ERJ2GEJ101	M 100 OHM, J,0.063W	1	
	R9240	ERJ2GEJ101	M 100 OHM, J,0.063W	1	
	R9241	ERJ2GEJ101	M 100 OHM, J,0.063W	1	
	R9242	ERJ2GEJ101	M 100 OHM, J,0.063W	1	
	R9243	ERJ2GEJ101	M 100 OHM, J,0.063W	1	
	R9245	ERJ2GEJ101	M 100 OHM, J,0.063W	1	
	R9246	ERJ2GEJ101	M 100 OHM, J,0.063W	1	
	R9249	ERJ2RHD272	M 2.7KOHM, J, 2W	1	
	R9250	ERJ2RHD272	M 2.7KOHM, J, 2W	1	

Safety	Ref. No.	Part No.	Part Name & Description	Pcs	Remarks
	R9251	DOYAR0000007	M 0 OHM 1/4W	1	
	R9252	DOYAR0000007	M 0 OHM 1/4W	1	
	R9253	DOYAR0000007	M 0 OHM 1/4W	1	
	R9254	DOYAR0000007	M 0 OHM 1/4W	1	
	R9255	DOYAR0000007	M 0 OHM 1/4W	1	
	R9256	DOYAR0000007	M 0 OHM 1/4W	1	
	R9257	DOYAR0000007	M 0 OHM 1/4W	1	
	R9369	ERJ2GEJ472	M 4.7KOHM, J,0.063W	1	
	R9370	ERJ2GEJ103	M 10KOHM, J,0.063W	1	
	R9371	ERJ2GEJ104	M 100KOHM, J,0.063W	1	
	R9385	ERJ2GEJ472	M 4.7KOHM, J,0.063W	1	
	R9391	ERJ2GEJ104	M 100KOHM, J,0.063W	1	
	R9398	ERJ2GEJ301	M 300 OHM, J,0.063W	1	
	R9399	ERJ2RKF75R0	M 75 OHM, , 0.063W	1	
	R9401	ERJ2GEJ221	M 220 OHM, J,0.063W	1	
	R9402	ERJ2GEJ470	M 47 OHM, J,0.063W	1	
	R9403	ERJ2GEJ103	M 10KOHM, J,0.063W	1	
	R9404	ERJ2GEJ470	M 47 OHM, J,0.063W	1	
	R9405	ERJ2GEJ470	M 47 OHM, J,0.063W	1	
	R9406	ERJ2GEJ470	M 47 OHM, J,0.063W	1	
	R9407	ERJ2GEJ470	M 47 OHM, J,0.063W	1	
	R9408	ERJ2GEJ470	M 47 OHM, J,0.063W	1	
	R9409	ERJ2GEJ470	M 47 OHM, J,0.063W	1	
	R9410	ERJ2GEJ470	M 47 OHM, J,0.063W	1	
	R9411	ERJ2GEJ470	M 47 OHM, J,0.063W	1	
	R9412	ERJ2GEJ470	M 47 OHM, J,0.063W	1	
	R9413	ERJ2GEJ470	M 47 OHM, J,0.063W	1	
	R9414	ERJ2GEJ470	M 47 OHM, J,0.063W	1	
	R9415	ERJ2GEJ470	M 47 OHM, J,0.063W	1	
	R9416	ERJ2GEJ470	M 47 OHM, J,0.063W	1	
	R9417	ERJ2GEJ470	M 47 OHM, J,0.063W	1	
	R9418	ERJ2GEJ470	M 47 OHM, J,0.063W	1	
	R9419	ERJ2GEJ470	M 47 OHM, J,0.063W	1	
	R9420	ERJ2GEJ470	M 47 OHM, J,0.063W	1	
	R9421	ERJ2GEJ470	M 47 OHM, J,0.063W	1	
	R9422	ERJ2GEJ470	M 47 OHM, J,0.063W	1	
	R9423	ERJ2GEJ470	M 47 OHM, J,0.063W	1	
	R9424	ERJ2GEJ470	M 47 OHM, J,0.063W	1	
	R9425	EXB2HV151J	RESISTOR ARRAY	1	
	R9426	EXB2HV151J	RESISTOR ARRAY	1	
	R9578	ERJ2GEJ472	M 4.7KOHM, J,0.063W	1	
	R9586	ERJ2GEJ470	M 47 OHM, J,0.063W	1	
	R9587	ERJ2GEJ470	M 47 OHM, J,0.063W	1	
	R9592	D0GA103JA015	M 10KOHM, J,1/16W	1	
	R9594	ERJ2GEJ103	M 10KOHM, J,0.063W	1	



Safety	Ref. No.	Part No.	Part Name & Description	Pcs	Remarks
	R9598	ERJ2GEJ470	M 47 OHM, J, 0.063W	1	
	R9604	ERJ2GEJ103	M 10KOHM, J, 0.063W	1	
	R9608	EXB2HV470JV	RESISTOR ARRAY	1	
	R9609	EXB2HV470JV	RESISTOR ARRAY	1	
	R9610	EXB2HV470JV	RESISTOR ARRAY	1	
	R9611	ERJ2GEJ680	M 68 OHM, J, 0.063W	1	
	R9616	ERJ2GEJ470	M 47 OHM, J, 0.063W	1	
	R9618	ERJ2GEJ331	M 330 OHM, J, 0.063W	1	
	R9839	EXB38V101JV	RESISTOR ARRAY	1	
	R9848	EXB2HV470JV	RESISTOR ARRAY	1	
	R9849	EXB2HV470JV	RESISTOR ARRAY	1	
	R9868	ERJ2GEJ104	M 100KOHM, J, 0.063W	1	
	R9871	ERJ2GEJ103	M 10KOHM, J, 0.063W	1	
	R9872	D1BB1002A055	M 10KOHM, 1/10W	1	
	R9873	ERJ14YJ220U	M 22 OHM, J, 1/4W	1	
	R9874	ERJ14YJ220U	M 22 OHM, J, 1/4W	1	
	R9893	D1BB5602A055	M 56KOHM, 1/10W	1	
	R9894	D1BB1802A055	M 18KOHM, 1/10W	1	
	R9897	ERJ2GEJ103	M 10KOHM, J, 0.063W	1	
	R9898	ERJ2GEJ103	M 10KOHM, J, 0.063W	1	
	R9899	ERJ2GEJ103	M 10KOHM, J, 0.063W	1	
	R9900	ERJ14YJ220U	M 22 OHM, J, 1/4W	1	
	R9902	ERJ14YJ220U	M 22 OHM, J, 1/4W	1	
	R9966	ERJ2GEJ471	M 470 OHM, J, 0.063W	1	
	R9967	ERJ2GEJ470	M 47 OHM, J, 0.063W	1	
	R9968	ERJ2GEJ470	M 47 OHM, J, 0.063W	1	
	R9969	ERJ2GEJ470	M 47 OHM, J, 0.063W	1	
	R9970	ERJ2GEJ470	M 47 OHM, J, 0.063W	1	
	R9975	ERJ2GEJ470	M 47 OHM, J, 0.063W	1	
	R9977	ERJ2GEJ470	M 47 OHM, J, 0.063W	1	
	R9983	ERJ2GEJ470	M 47 OHM, J, 0.063W	1	
	R9987	ERJ2GEJ470	M 47 OHM, J, 0.063W	1	
	R9988	ERJ2GEJ470	M 47 OHM, J, 0.063W	1	
	R9989	ERJ2GEJ470	M 47 OHM, J, 0.063W	1	
	R9996	ERJ2RKF1001	M 1KOHM, 0.063W	1	
	R9997	ERJ2RKF1001	M 1KOHM, 0.063W	1	
	R9998	ERJ2GEJ221	M 220 OHM, J, 0.063W	1	
	R9999	ERJ2GEJ103	M 10KOHM, J, 0.063W	1	
	R16001	D0GF7R5JA047	M 7.5 OHM, J, 0.33W	1	
	R16002	D0GF7R5JA047	M 7.5 OHM, J, 0.33W	1	
	R16004	D0GF7R5JA047	M 7.5 OHM, J, 0.33W	1	
	R16021	D0GF7R5JA047	M 7.5 OHM, J, 0.33W	1	
	R16022	D0GF7R5JA047	M 7.5 OHM, J, 0.33W	1	
	R16023	D0GF7R5JA047	M 7.5 OHM, J, 0.33W	1	
	R16024	D0GF7R5JA047	M 7.5 OHM, J, 0.33W	1	
	R16031	ERJ6ENF8202	M 82KOHM, 1/10W	1	
	R16032	ERJ6ENF8202	M 82KOHM, 1/10W	1	
	R16033	D1BD5602A044	M 56KOHM, 1/10W	1	
	R16034	D1BD2702A044	M 27KOHM, 1/10W	1	

Safety	Ref. No.	Part No.	Part Name & Description	Pcs	Remarks
	R16041	D0GF5R6JA047	M 5.6 OHM, J, 0.33W	1	
	R16042	D0GF5R6JA047	M 5.6 OHM, J, 0.33W	1	
	R16051	D0GF5R6JA047	M 5.6 OHM, J, 0.33W	1	
	R16052	D0GF5R6JA047	M 5.6 OHM, J, 0.33W	1	
	R16101	D0GD221JA059	M 220 OHM, J, 1/10W	1	
	R16102	D0GD221JA059	M 220 OHM, J, 1/10W	1	
	R16103	D0GD100JA059	M 10 OHM, J, 0.25W	1	
	R16104	D0GD100JA059	M 10 OHM, J, 0.25W	1	
	R16105	ERJ8GEYJ474	M 470KOHM, J, 1/8W	1	
	R16109	D0GD100JA059	M 10 OHM, J, 0.25W	1	
	R16110	ERJ6GEYF473	M 47KOHM, J, 1/10W	1	
	R16116	ERJ6GEYF473	M 47KOHM, J, 1/10W	1	
	R16131	D0GD101JA036	M 100 OHM, J, 0.25W	1	
	R16132	D0GD101JA036	M 100 OHM, J, 0.25W	1	
	R16134	D0GD750JA059	M 75 OHM, J, 0.25W	1	
	R16137	D0GF1R0JA047	M 1.0 OHM, J, 0.33W	1	
	R16141	D0GD100JA059	M 10 OHM, J, 0.25W	1	
	R16142	ERJ6GEYF473	M 47KOHM, J, 1/10W	1	
	R16143	ERJ6GEYF473	M 47KOHM, J, 1/10W	1	
	R16151	D0GD101JA036	M 100 OHM, J, 0.25W	1	
	R16152	D0GD101JA036	M 100 OHM, J, 0.25W	1	
	R16154	D0GD750JA059	M 75 OHM, J, 0.25W	1	
	R16155	D0GF1R0JA047	M 1.0 OHM, J, 0.33W	1	
	R16159	D0GF1R0JA047	M 1.0 OHM, J, 0.33W	1	
	R16161	D0GD100JA059	M 10 OHM, J, 0.25W	1	
	R16162	ERJ6GEYF473	M 47KOHM, J, 1/10W	1	
	R16163	ERJ6GEYF473	M 47KOHM, J, 1/10W	1	
	R16171	D0GD100JA059	M 10 OHM, J, 0.25W	1	
	R16172	ERJ6GEYF473	M 47KOHM, J, 1/10W	1	
	R16173	ERJ6GEYF473	M 47KOHM, J, 1/10W	1	
	R16181	D0GD100JA059	M 10 OHM, J, 0.25W	1	
	R16182	ERJ6GEYF473	M 47KOHM, J, 1/10W	1	
	R16183	ERJ6GEYF473	M 47KOHM, J, 1/10W	1	
	R16191	ERJ6GEYJ151V	M 150 OHM, J, 1/10W	1	
	R16192	ERJ6GEYJ103V	M 10K OHM J 1/10W	1	
	R16193	ERJ6GEYJ750	M 75 OHM, J, 1/10W	1	
	R16194	D0GF7R5JA047	M 7.5 OHM, J, 0.33W	1	
	R16195	D0GF1R0JA047	M 1.0 OHM, J, 0.33W	1	
	R16196	D0GF7R5JA047	M 7.5 OHM, J, 0.33W	1	
	R16230	ERJ6GEYJ470V	M 47 OHM, J, 1/10W	1	
	R16231	ERJ6GEYJ472V	M 4.7K OHM J 1/10W	1	
	R16241	EXB38V470J	RESISTOR ARRAY	1	
	R16242	EXB38V472JV	RESISTOR ARRAY	1	
	R16251	D1BD1401A044	M 1.4KOHM, 1/10W	1	
	R16252	D1BD3902A044	M 39KOHM, 1/10W	1	
	R16253	D1BD3902A044	M 39KOHM, 1/10W	1	
	R16254	D1BD6801A044	M 6.8KOHM, 1/10W	1	
	R16255	D1BD1201A044	M 1.2KOHM, 1/10W	1	
	R16256	D1BD1501A044	M 1.4KOHM, 1/10W	1	
	R16257	ERJ6GEYJ273	M 27KOHM, J, 1/10W	1	
	R16258	ERJ6GEYJ103V	M 10K OHM J 1/10W	1	
	R16260	ERJ6GEYJ222V	M 2.2K OHM J 1/10W	1	
	R16280	ERJ6GEYJ222V	M 2.2K OHM J 1/10W	1	
	R16281	D0GD103JA036	M 10KOHM, J, 0.25W	1	

Safety	Ref. No.	Part No.	Part Name & Description	Pcs	Remarks
	R16282	ERJ6GEYJ221V	M 220 OHM,J,1/10W	1	
	R16283	ERJ6GEYF473	M 47KOHM,J,1/10W	1	
	R16284	ERJ6GEYJ224	M 220KOHM,J,1/10W	1	
	R16285	EXB38V623J	RESISTOR ARRAY	1	
	R16287	D0GF334JA047	M 330KOHM,F,0.33W	1	
	R16288	D0GF334JA047	M 330KOHM,F,0.33W	1	
	R16289	D0GF334JA047	M 330KOHM,F,0.33W	1	
	R16290	D0GF334JA047	M 330KOHM,F,0.33W	1	
	R16302	ERJ8GEYJ333	M 33KOHM, J,1/8W	1	
	R16307	ERJ6RBD683	M 68KOHM,J,1/10W	1	
	R16309	ERJ8GEYJ333	M 33KOHM, J,1/8W	1	
	R16310	ERJ8GEYJ333	M 33KOHM, J,1/8W	1	
	R16311	ERJ8GEYJ333	M 33KOHM, J,1/8W	1	
	R16317	ERJ6RBD272	M 2.7KOHM 1/10W	1	
	R16318	ERJ6RBD623V	M 62KOHM,J,1/10W	1	PAVCA
	R16319	ERJ6RBD2491V	M 2.49KOHM, 1/10W	1	PAVCA
	R16320	ERJ14YJ683	M 68KOHM, 1/2W	1	
	R16330	ERJ6GEYJ102V	M 1K OHM J 1/10W	1	
	R16332	ERJ6GEYJ474	M 470KOHM,J,1/10W	1	
	R16334	ERJ6GEYJ472V	M 4.7K OHM J 1/10W	1	
	R16335	ERJ6GEYJ102V	M 1K OHM J 1/10W	1	
	R16402	ERJT08J7R5V	M 7.5OHM,J,0.33W	1	
	R16403	ERJT08J7R5V	M 7.5OHM,J,0.33W	1	
	R16404	ERJT08J7R5V	M 7.5OHM,J,0.33W	1	
	R16410	ERJ6GEYG391	M 390 OHM,F,1/10W	1	
	R16411	D1BD2700A044	M 270 OHM, 1/10W	1	
	R16414	ERJ6GEYJ331V	M 330 OHM J 1/10W	1	
	R16415	ERJ6GEYJ331V	M 330 OHM J 1/10W	1	
	R16416	D0GD103JA036	M 10KOHM,J,0.25W	1	
	R16422	ERJT08J7R5V	M 7.5OHM,J,0.33W	1	
	R16423	ERJT08J7R5V	M 7.5OHM,J,0.33W	1	
	R16424	ERJT08J7R5V	M 7.5OHM,J,0.33W	1	
	R16441	ERJT08J5R6V	M 5.6 OHM,F,0.33W	1	
	R16442	ERJT08J5R6V	M 5.6 OHM,F,0.33W	1	
	R16451	ERJT08J5R6V	M 5.6 OHM,F,0.33W	1	
	R16452	ERJT08J5R6V	M 5.6 OHM,F,0.33W	1	
	R16465	D1BD2702A044	M 27KOHM, 1/10W	1	
	R16466	D1BD5602A044	M 56KOHM, 1/10W	1	
	R16467	ERJ6ENF8202	M 82KOHM, 1/10W	1	
	R16468	ERJ6ENF8202	M 82KOHM, 1/10W	1	
	R16471	ERJ6GEYG392	M 3.9KOHM,J,1/10W	1	
	R16472	ERJ6GEYJ222V	M 2.2K OHM J 1/10W	1	
	R16473	ERJ6GEYF561	M 560 OHM,F,1/10W	1	
	R16474	ERJ6GEYJ102V	M 1K OHM J 1/10W	1	
	R16475	ERJ6GEYJ472V	M 4.7K OHM J 1/10W	1	
	R16476	ERJ6GEYJ472V	M 4.7K OHM J 1/10W	1	
	R16478	ERJ6GEYJ562V	M 5.6KOHM,J,1/10W	1	
	R16479	D0GD103JA036	M 10KOHM,J,0.25W	1	
	R16480	ERJ6GEYJ472V	M 4.7K OHM J 1/10W	1	
	R16490	ERJ6RED124	M 120KOHM, 1/10W	1	

Safety	Ref. No.	Part No.	Part Name & Description	Pcs	Remarks
	R16491	ERJ6RED134V	M 130KOHM, 1/10W	1	
	R16492	ERJ6RED134V	M 130KOHM, 1/10W	1	
	R16493	ERJ6RBD103V	M 10KOHM,J,1/10W	1	
	R16494	D1BD2001A044	M 2KOHM, 1/10W	1	
	R16495	D1BD7500A044	M 750 OHM, 1/10W	1	PAVCA
	R16496	ERJ6GEYJ470V	M 47 OHM,J,1/10W	1	
	R16497	ERJ6GEYF473	M 47KOHM,J,1/10W	1	
	R16498	D0GD103JA036	M 10KOHM,J,0.25W	1	
	R16501	D0GD101JA036	M 100 OHM,J,0.25W	1	
	R16502	D0GD101JA036	M 100 OHM,J,0.25W	1	
	R16503	ERJT06J100V	M 10 OHM,F,0.25W	1	
	R16504	ERJT06J750V	M 75 OHM,F,0.25W	1	
	R16505	ERJT06J100V	M 10 OHM,F,0.25W	1	
	R16506	ERJT06J100V	M 10 OHM,F,0.25W	1	
	R16507	ERJT06J100V	M 10 OHM,F,0.25W	1	
	R16509	ERJT08J1R0V	M 1.8OHM,J,0.33W	1	
	R16511	ERJ6GEYF473	M 47KOHM,J,1/10W	1	
	R16512	ERJ6GEYF473	M 47KOHM,J,1/10W	1	
	R16513	ERJ6GEYF473	M 47KOHM,J,1/10W	1	
	R16514	ERJ6GEYF473	M 47KOHM,J,1/10W	1	
	R16516	ERJ6GEYF473	M 47KOHM,J,1/10W	1	
	R16517	ERJ6GEYF473	M 47KOHM,J,1/10W	1	
	R16518	ERJ6GEYF473	M 47KOHM,J,1/10W	1	
	R16519	ERJ6GEYF473	M 47KOHM,J,1/10W	1	
	R16521	D0GD101JA036	M 100 OHM,J,0.25W	1	
	R16522	D0GD101JA036	M 100 OHM,J,0.25W	1	
	R16523	ERJT06J750V	M 75 OHM,F,0.25W	1	
	R16531	ERJT06J100V	M 10 OHM,F,0.25W	1	
	R16532	ERJ6GEYF473	M 47KOHM,J,1/10W	1	
	R16533	ERJ6GEYF473	M 47KOHM,J,1/10W	1	
	R16534	ERJT08J1R0V	M 1.8OHM,J,0.33W	1	
	R16536	ERJT08J1R0V	M 1.8OHM,J,0.33W	1	
	R16551	ERJT06J100V	M 10 OHM,F,0.25W	1	
	R16552	ERJ6GEYF473	M 47KOHM,J,1/10W	1	
	R16553	ERJ6GEYF473	M 47KOHM,J,1/10W	1	
	R16561	EXB38V470J	RESISTOR ARRAY	1	
	R16562	EXB38V470J	RESISTOR ARRAY	1	
	R16563	EXB38V470J	RESISTOR ARRAY	1	
	R16564	EXB38V470J	RESISTOR ARRAY	1	
	R16565	EXB38V472JV	RESISTOR ARRAY	1	
	R16566	EXB38V472JV	RESISTOR ARRAY	1	
	R16567	EXB38V472JV	RESISTOR ARRAY	1	
	R16568	EXB38V472JV	RESISTOR ARRAY	1	
	R16570	EXB38V472JV	RESISTOR ARRAY	1	
	R16573	ERJ6GEYJ220	M 22 OHM,J,1/10W	1	
	R16579	EXB38V470J	RESISTOR ARRAY	1	
	R16582	D1BD3902A044	M 39KOHM, 1/10W	1	
	R16583	D1BD3902A044	M 39KOHM, 1/10W	1	
	R16584	D1BD6801A044	M 6.8KOHM, 1/10W	1	
	R16585	D1BD1001A044	M 1KOHM, 1/10W	1	
	R16586	D1BD2151A044	M2.15KOHM, 1/10W	1	
	R16587	ERJ6GEYJ222V	M 2.2K OHM J 1/10W	1	
	R16588	D0GD103JA036	M 10KOHM,J,0.25W	1	
	R16590	ERJ6GEYJ221V	M 220 OHM,J,1/10W	1	
	R16591	EXB38V472JV	RESISTOR ARRAY	1	
	R16592	ERJ6GEYJ472V	M 4.7K OHM J 1/10W	1	
	R16593	D1BD1401A044	M 1.4KOHM, 1/10W	1	
	R16602	ERJ6GEYJ102V	M 1K OHM J 1/10W	1	
	R16604	ERJ6GEYJ331V	M 330 OHM J 1/10W	1	
	R16605	ERJ6GEYJ182	M 1.8KOHM,J,1/10W	1	
	R16606	D0GD103JA036	M 10KOHM,J,0.25W	1	
	R16607	D1BD6651A044	M6.65KOHM, 1/10W	1	
	R16608	ERJT08J102V	M 1KOHM,J, 0.33W	1	

Safety	Ref. No.	Part No.	Part Name & Description	Pcs	Remarks
	R16609	ERJT08J102V	M 1KOHM,J, 0.33W	1	
	R16610	ERJ6GEYJ104V	M 100KOHM,J,1/10W	1	
	R16611	ERJ8GEYJ683	M 68KOHM, J,1/8W	1	
	R16612	ERJT06J470V	M 47 OHM,F,0.25W	1	
	R16613	ERJ8GEYJ473	M 47KOHM, J,1/8W	1	
	R16614	ERJ8GEYJ683	M 68KOHM, J,1/8W	1	
	R16615	D1BD1101A044	M1.41KOHM, 1/10W	1	
	R16617	ERJ6GEYJ222V	M 2.2K OHM J 1/10W	1	
	R16621	ERJ6GEYJ221V	M 220 OHM,J,1/10W	1	
	R16622	ERJ6GEYJ221V	M 220 OHM,J,1/10W	1	
	R16623	ERJ6GEYJ221V	M 220 OHM,J,1/10W	1	
	R16627	ERJ6GEYJ220	M 22 OHM,J,1/10W	1	
	R16628	ERJ6GEYF473	M 47KOHM,J,1/10W	1	
	R16631	DOGD103JA036	M 10KOHM,J,0.25W	1	
	R16633	ERJ6GEYJ223	M 22KOHM,J,1/10W	1	
	R16634	ERJ6GEYJ471	M 470 OHM,J,1/10W	1	
	R16646	D1BD1181A044	M1.18KOHM, 1/10W	1	
	R16648	ERJT08J202V	M 2KOHM,J, 0.33W	1	
	R16649	ERJT06J330V	M 33 OHM,F,0.25W	1	
	R16650	ERJ6GEYJ104V	M 100KOHM,J,1/10W	1	
	R16651	ERJT08J202V	M 2KOHM,J, 0.33W	1	
	R16652	ERJ6GEYF822	M 8.2KOHM,F,1/10W	1	
	R16653	ERJ8GEYJ182	M 1.8KOHM, J,1/8W	1	
	R16654	ERJ6GEYJ470V	M 47 OHM,J,1/10W	1	
	R16655	ERJ6GEYJ103V	M 10K OHM J 1/10W	1	
	R16656	ERJ8GEYJ472V	M 4.7KOHM, J,1/8W	1	
	R16657	ERJ6GEYJ103V	M 10K OHM J 1/10W	1	
	R16658	D1BD6491A044	M6.49KOHM, 1/10W	1	
	R16660	ERJ6GEYJ222V	M 2.2K OHM J 1/10W	1	
	R16661	ERJ6GEYJ122V	M 1.2KOHM,J,1/10W	1	
	R16662	D1BD1002A044	M10.0KOHM, 1/10W	1	
	R16663	D1BD6801A044	M 6.8KOHM, 1/10W	1	
	R16664	ERJT08J202V	M 2KOHM,J, 0.33W	1	
	R16665	ERJT06J330V	M 33 OHM,F,0.25W	1	
	R16666	ERJ6GEYJ223	M 22KOHM,J,1/10W	1	
	R16667	ERJT08J202V	M 2KOHM,J, 0.33W	1	
	R16668	ERJT08J202V	M 2KOHM,J, 0.33W	1	
	R16673	ERJ6GEYJ472V	M 4.7K OHM J 1/10W	1	
	R16674	ERJT08J202V	M 2KOHM,J, 0.33W	1	
	R16675	ERJ6GEYJ472V	M 4.7K OHM J 1/10W	1	
	R16677	ERJT08J202V	M 2KOHM,J, 0.33W	1	
	R16678	ERJT08J202V	M 2KOHM,J, 0.33W	1	
	R16679	D1BD7501A044	M 7.5KOHM, 1/10W	1	
	R16680	ERJ6GEYJ472V	M 4.7K OHM J 1/10W	1	
	R16681	ERJT06J100V	M 10 OHM,F,0.25W	1	
	R16682	ERJT06J100V	M 10 OHM,F,0.25W	1	
	R16683	ERJT06J100V	M 10 OHM,F,0.25W	1	
	R16684	ERJ6GEYJ221V	M 220 OHM,J,1/10W	1	
	R16685	ERJ6GEYJ221V	M 220 OHM,J,1/10W	1	
	R16686	DOGD103JA036	M 10KOHM,J,0.25W	1	
	R16687	D1BD2702A044	M 27KOHM, 1/10W	1	
	R16688	D1BD1272A044	M12.7KOHM, 1/10W	1	
	R16690	ERJ6GEYJ472V	M 4.7K OHM J 1/10W	1	
	R16691	ERJ8GEYJ563	M 56KOHM, J,1/8W	1	
	R16692	ERJ6RBD152	M 1.5KOHM,J,1/10W	1	
	R16694	ERJ8GEYJ563	M 56KOHM, J,1/8W	1	

Safety	Ref. No.	Part No.	Part Name & Description	Pcs	Remarks
	R16695	ERJ6RBD152	M 1.5KOHM,J,1/10W	1	
	R16696	ERF5TK2R2	W 2.2 OHM, K, 5W	1	
	R16699	DOGD103JA036	M 10KOHM,J,0.25W	1	
	R16707	ERJ6GEYJ392	M 3.9KOHM,J,1/10W	1	
	R16711	ERJ6GEYJ472V	M 4.7K OHM J 1/10W	1	
	R16712	ERJ6GEYJ102V	M 1K OHM J 1/10W	1	
	R16713	ERG1FJS104D	M 100KOHM, J, 1W	1	
	R16714	ERJ6GEYF473	M 47KOHM,J,1/10W	1	
	R16715	ERJ6GEYJ103V	M 10K OHM J 1/10W	1	
	R16717	ERJ6GEYJ102V	M 1K OHM J 1/10W	1	
	R16719	ERJ3GEYJ220	M 22 OHM,J,1/16W	1	
	R16720	ERJ3GEYJ220	M 22 OHM,J,1/16W	1	
	R16721	ERJ3GEYJ220	M 22 OHM,J,1/16W	1	
	R16722	ERJ3GEYJ220	M 22 OHM,J,1/16W	1	
	R16723	ERJ3GEYJ220	M 22 OHM,J,1/16W	1	
	R16731	ERG2FJS104D	M 100KOHM, J, 2W	1	
	R16733	ERJ6GEYJ474	M 470KOHM,J,1/10W	1	
	R16734	D1BD4991A044	M4.99KOHM, 1/10W	1	
	R16735	D1BD1873A044	M 187KOHM, 1/10W	1	
	R16736	D1BD1873A044	M 187KOHM, 1/10W	1	
	R16737	D1BD2053A044	M 205KOHM, 1/10W	1	
	R16742	DOGD103JA036	M 10KOHM,J,0.25W	1	
	R16744	D1BD1273A044	M 127KOHM, 1/10W	1	
	R16745	D1BD2202A044	M 2.2KOHM, 1/10W	1	
	R16746	ERJT06J473V	M 47KOHM,F,0.25W	1	
	R16747	ERJT06J103V	M 10KOHM,F,0.25W	1	
	R16749	DOGD103JA036	M 10KOHM,J,0.25W	1	
	R16750	ERJT06J123	M 12KOHM,F,0.25W	1	
	R16751	ERJT06J154V	M 150KOHM,F,0.25W	1	
	R16752	ERJ6GEYJ472V	M 4.7K OHM J 1/10W	1	
	R16753	ERJ6GEYJ224	M 220KOHM,J,1/10W	1	
	R16755	ERJT06J123	M 12KOHM,F,0.25W	1	
	R16756	ERJT06J123	M 12KOHM,F,0.25W	1	
	R16761	ERJT06J100V	M 10 OHM,F,0.25W	1	
	R16762	ERJ6GEYF473	M 47KOHM,J,1/10W	1	
	R16763	ERJ6GEYF473	M 47KOHM,J,1/10W	1	
	R16765	ERJT08J1R0V	M 1.8OHM,J,0.33W	1	
	R16766	DOGDR00Z0002	M 0 OHM, 1/10W	1	
	R16769	ERJT06J750V	M 75 OHM,F,0.25W	1	
	R16772	ERJ6GEYJ472V	M 4.7K OHM J 1/10W	1	
	R16773	ERJ6GEYJ102V	M 1K OHM J 1/10W	1	
	R16774	ERG1SJ273	M 27KOHM, J, 1W	1	
	R16775	ERJ6GEYJ472V	M 4.7K OHM J 1/10W	1	
	R16776	ERJ6GEYJ470V	M 47 OHM,J,1/10W	1	
	R16777	ERJ6GEYJ103V	M 10K OHM J 1/10W	1	
	R16783	ERJT06J154V	M 150KOHM,F,0.25W	1	
	R16785	D1BD1003A044	M 100KOHM, 1/10W	1	
	R16786	D1BD1003A044	M 100KOHM, 1/10W	1	
	R16787	D1BD3302A044	M 33KOHM, 1/10W	1	
	R16789	DOGD103JA036	M 10KOHM,J,0.25W	1	
	R16791	ERJ6GEYJ102V	M 1K OHM J 1/10W	1	
	R16794	D1BD2003A044	M 200KOHM, 1/10W	1	
	R16795	D1BD2003A044	M 200KOHM, 1/10W	1	
	R16796	D1BD5602A044	M 56KOHM, 1/10W	1	
	R16797	ERJ6GEYJ220	M 22 OHM,J,1/10W	1	
	R16798	ERJ6GEYJ222V	M 2.2K OHM J 1/10W	1	
	R16799	ERJ6GEYJ102V	M 1K OHM J 1/10W	1	
	R16801	D1BD4702A044	M 47KOHM, 1/10W	1	
	R16802	D1BD4702A044	M 47KOHM, 1/10W	1	
	R16804	ERJ8GEYJ104V	M 100KOHM, J,1/8W	1	
	R16806	ERJ6GEYJ102V	M 1K OHM J 1/10W	1	

Safety	Ref. No.	Part No.	Part Name & Description	Pcs	Remarks
	R16812	ERJ6GEYG182	M 1.8KOHM,J,1/10W	1	
	R16813	ERJ8GEYJ222V	M 2.2KOHM, J,1/8W	1	
	R16814	D1BD1962A044	M19.6KOHM, 1/10W	1	PAVCA
	R16815	D1BD2491A044	M2.49KOHM, 1/10W	1	
	R16818	D1BD3302A044	M 33KOHM, 1/10W	1	
	R16819	D1BD1003A044	M 100KOHM, 1/10W	1	
	R16820	D1BD1003A044	M 100KOHM, 1/10W	1	
	R16821	D1BD1003A044	M 100KOHM, 1/10W	1	
	R16822	ERJ6ENF8202	M 82KOHM, 1/10W	1	
	R16823	ERJ6ENF8202	M 82KOHM, 1/10W	1	
	R16824	D1BD3302A044	M 33KOHM, 1/10W	1	
	R16825	ERJT06J154V	M 150KOHM,F,0.25W	1	
	R16826	D0GDI03JA036	M 10KOHM,J,0.25W	1	
	R16829	ERJ6GEYJ102V	M 1K OHM J 1/10W	1	
	R16831	D1BD7152A044	M71.5KOHM, 1/10W	1	
	R16832	D1BD7152A044	M71.5KOHM, 1/10W	1	
	R16833	D0GDI03JA036	M 10KOHM,J,0.25W	1	
	R16838	ERJ14YJ563U	M 56KOHM, 1/2W	1	
	R16841	ERJ14YJ563U	M 56KOHM, 1/2W	1	
	R16844	D1BD1241A044	M1.24KOHM, 1/10W	1	
	R16845	D1BD6812A044	M68.1KOHM, 1/10W	1	PAVCA
	R16846	D1BD8202A044	M 82KOHM, 1/10W	1	
	R16847	ERJ6GEYJ472V	M 4.7K OHM J 1/10W	1	
	R16848	ERJ6GEYJ472V	M 4.7K OHM J 1/10W	1	
	R16851	ERJ6GEYJ474	M 470KOHM,J,1/10W	1	
	R16860	D0D28R2JA021	M 8.2 OHM,J,2W	1	
	R16869	ERJ8GEYJ473	M 47KOHM, J,1/8W	1	
	R16870	ERJ14YJ683	M 68KOHM, 1/2W	1	
	R16873	D1BD2491A044	M2.49KOHM, 1/10W	1	
	R16877	ERJ6GEYJ681	M 680 OHM,J,1/10W	1	
	R16880	D0GBR00Z0002	M 0 OHM J 1/16W	1	
	R16891	D1BD4702A044	M 47KOHM, 1/10W	1	
	R16892	D1BD4702A044	M 47KOHM, 1/10W	1	
	R16893	D1BD4702A044	M 47KOHM, 1/10W	1	
	R16894	D1BD4702A044	M 47KOHM, 1/10W	1	
	R16895	D1BD4702A044	M 47KOHM, 1/10W	1	
	R16896	D1BD3302A044	M 33KOHM, 1/10W	1	
	R16897	D1BD1541A044	M1.54KOHM, 1/10W	1	
	R16898	D1BD2611A044	M2.61KOHM, 1/10W	1	
	R16899	D1BD2211A044	M2.21KOHM, 1/10W	1	PAVCA
	R16900	D0GDI03JA036	M 10KOHM,J,0.25W	1	
	R16901	ERJ6GEYJ472V	M 4.7K OHM J 1/10W	1	
	R16904	ERJ6GEYJ223	M 22KOHM,J,1/10W	1	
	R16919	D1BD9311A044	M9.31KOHM, 1/10W	1	PAVCA
	R16920	D0GDI03JA036	M 10KOHM,J,0.25W	1	
	R16921	D1BD2611A044	M2.61KOHM, 1/10W	1	
	R16922	D1BD2001A044	M 2KOHM, 1/10W	1	
	R16923	ERJ6GEYJ103V	M 10K OHM J 1/10W	1	
	R16926	ERJ6GEYJ222V	M 2.2K OHM J 1/10W	1	
	R16927	ERJ6GEYJ223	M 22KOHM,J,1/10W	1	
	R17104	ERJ3GEY0R00	M 0 OHM, 1/16W	1	
	R17105	ERJ3GEY0R00	M 0 OHM, 1/16W	1	
	R17111	ERJ3GEYJ101	M 100 OHM,J,1/16W	1	
	R17112	ERJ3GEYJ101	M 100 OHM,J,1/16W	1	
	R17113	ERJ3GEYJ101	M 100 OHM,J,1/16W	1	
	R17114	ERJ3GEYJ101	M 100 OHM,J,1/16W	1	
	R17115	ERJ3GEYJ101	M 100 OHM,J,1/16W	1	
	R17116	ERJ3GEYJ101	M 100 OHM,J,1/16W	1	
	R17117	ERJ3GEYJ101	M 100 OHM,J,1/16W	1	

Safety	Ref. No.	Part No.	Part Name & Description	Pcs	Remarks
	R17118	ERJ3GEYJ101	M 100 OHM,J,1/16W	1	
	R17119	ERJ3GEYJ101	M 100 OHM,J,1/16W	1	
	R17120	ERJ3GEYJ101	M 100 OHM,J,1/16W	1	
	R17121	ERJ3GEYJ101	M 100 OHM,J,1/16W	1	
	R17122	ERJ3GEYJ201	M 200 OHM,J,1/16W	1	
	R17123	ERJ3GEYJ201	M 200 OHM,J,1/16W	1	
	R17124	ERJ3GEYJ201	M 200 OHM,J,1/16W	1	
	R17125	ERJ3GEYJ201	M 200 OHM,J,1/16W	1	
	R17126	ERJ6GEYJ102V	M 1K OHM J 1/10W	1	
	R17127	ERJ6GEYJ224	M 220KOHM,J,1/10W	1	
	R17131	ERJT14J6R8U	C6.8 OHM, J,1/4W	1	
	R17132	ERJT14J6R8U	C6.8 OHM, J,1/4W	1	
	R17133	ERJT14J6R8U	C6.8 OHM, J,1/4W	1	
	R17134	ERJT14J6R8U	C6.8 OHM, J,1/4W	1	
	R17135	ERJT14J6R8U	C6.8 OHM, J,1/4W	1	
	R17136	ERJT14J6R8U	C6.8 OHM, J,1/4W	1	
	R17137	ERJT14J6R8U	C6.8 OHM, J,1/4W	1	
	R17138	ERJT14J6R8U	C6.8 OHM, J,1/4W	1	
	R17139	ERJT14J6R8U	C6.8 OHM, J,1/4W	1	
	R17140	ERJT14J6R8U	C6.8 OHM, J,1/4W	1	
	R17142	EXB38V470J	RESISTOR ARRAY	1	
	R17199	ERJT08J472V	M4.7KOHM,J,0.33W	1	PAVCA
	R17204	D0GDR00Z0002	M 0 OHM, 1/10W	1	
	R17211	ERJ3GEYJ101	M 100 OHM,J,1/16W	1	
	R17212	ERJ3GEYJ101	M 100 OHM,J,1/16W	1	
	R17213	ERJ3GEYJ101	M 100 OHM,J,1/16W	1	
	R17214	ERJ3GEYJ101	M 100 OHM,J,1/16W	1	
	R17215	ERJ3GEYJ101	M 100 OHM,J,1/16W	1	
	R17216	ERJ3GEYJ101	M 100 OHM,J,1/16W	1	
	R17217	ERJ3GEYJ101	M 100 OHM,J,1/16W	1	
	R17218	ERJ3GEYJ101	M 100 OHM,J,1/16W	1	
	R17219	ERJ3GEYJ101	M 100 OHM,J,1/16W	1	
	R17220	ERJ3GEYJ101	M 100 OHM,J,1/16W	1	
	R17221	ERJ3GEYJ201	M 200 OHM,J,1/16W	1	
	R17222	ERJ3GEYJ201	M 200 OHM,J,1/16W	1	
	R17223	ERJ3GEYJ201	M 200 OHM,J,1/16W	1	
	R17224	ERJ3GEYJ101	M 100 OHM,J,1/16W	1	
	R17225	ERJ3GEYJ201	M 200 OHM,J,1/16W	1	
	R17226	ERJ3GEYJ681	M 680 OHM,J,1/16W	1	
	R17227	ERJ3GEYJ681	M 680 OHM,J,1/16W	1	
	R17228	ERJ6GEYJ224	M 220KOHM,J,1/10W	1	
	R17231	ERJT14J6R8U	C6.8 OHM, J,1/4W	1	
	R17232	ERJT14J6R8U	C6.8 OHM, J,1/4W	1	
	R17233	ERJT14J6R8U	C6.8 OHM, J,1/4W	1	
	R17234	ERJT14J6R8U	C6.8 OHM, J,1/4W	1	
	R17235	ERJT14J6R8U	C6.8 OHM, J,1/4W	1	
	R17236	ERJT14J6R8U	C6.8 OHM, J,1/4W	1	
	R17237	ERJT14J6R8U	C6.8 OHM, J,1/4W	1	
	R17238	ERJT14J6R8U	C6.8 OHM, J,1/4W	1	
	R17239	ERJT14J6R8U	C6.8 OHM, J,1/4W	1	

Safety	Ref. No.	Part No.	Part Name & Description	Pcs	Remarks
	R17240	ERJT14J6R8U	C6.8 OHM, J,1/4W	1	
	R17241	EXB38V470J	RESISTOR ARRAY	1	
	R17242	EXB38V470J	RESISTOR ARRAY	1	
	R17243	EXB38V470J	RESISTOR ARRAY	1	
	R17244	EXB38V470J	RESISTOR ARRAY	1	
	R17245	EXB38V470J	RESISTOR ARRAY	1	
	R17246	EXB38V470J	RESISTOR ARRAY	1	
	R17247	EXB38V681J	RESISTOR ARRAY	1	
	R17248	EXB38V681J	RESISTOR ARRAY	1	
	R17249	EXB38V681J	RESISTOR ARRAY	1	
	R17250	EXB38V681J	RESISTOR ARRAY	1	
	R17293	DOGDR00Z0002	M 0 OHM, 1/10W	1	
	R17311	ERJ3GEYJ101	M 100 OHM,J,1/16W	1	
	R17312	ERJ3GEYJ101	M 100 OHM,J,1/16W	1	
	R17313	ERJ3GEYJ101	M 100 OHM,J,1/16W	1	
	R17314	ERJ3GEYJ101	M 100 OHM,J,1/16W	1	
	R17315	ERJ3GEYJ101	M 100 OHM,J,1/16W	1	
	R17316	ERJ3GEYJ101	M 100 OHM,J,1/16W	1	
	R17317	ERJ3GEYJ101	M 100 OHM,J,1/16W	1	
	R17318	ERJ3GEYJ101	M 100 OHM,J,1/16W	1	
	R17319	ERJ3GEYJ101	M 100 OHM,J,1/16W	1	
	R17320	ERJ3GEYJ101	M 100 OHM,J,1/16W	1	
	R17321	ERJ3GEYJ101	M 100 OHM,J,1/16W	1	
	R17322	ERJ3GEYJ201	M 200 OHM,J,1/16W	1	
	R17323	ERJ3GEYJ201	M 200 OHM,J,1/16W	1	
	R17324	ERJ3GEYJ201	M 200 OHM,J,1/16W	1	
	R17325	ERJ3GEYJ201	M 200 OHM,J,1/16W	1	
	R17326	ERJ6GEYJ224	M 220KOHM,J,1/10W	1	
	R17331	ERJT14J6R8U	C6.8 OHM, J,1/4W	1	
	R17332	ERJT14J6R8U	C6.8 OHM, J,1/4W	1	
	R17333	ERJT14J6R8U	C6.8 OHM, J,1/4W	1	
	R17334	ERJT14J6R8U	C6.8 OHM, J,1/4W	1	
	R17335	ERJT14J6R8U	C6.8 OHM, J,1/4W	1	
	R17336	ERJT14J6R8U	C6.8 OHM, J,1/4W	1	
	R17337	ERJT14J6R8U	C6.8 OHM, J,1/4W	1	
	R17338	ERJT14J6R8U	C6.8 OHM, J,1/4W	1	
	R17339	ERJT14J6R8U	C6.8 OHM, J,1/4W	1	
	R17340	ERJT14J6R8U	C6.8 OHM, J,1/4W	1	
	R17345	EXB38V470J	RESISTOR ARRAY	1	
	R17399	ERJT08J472V	M4.7KOHM,J,0.33W	1	PAVCA
	RM2501	B3RAD0000160	REMOTE SENSOR	1	
	S2	K1KA02BA0061	2P CONNECTOR	1	
	SC2	K1KY02B00012	2P CONNECTOR	1	
	SC20	K1MY35BA0345	35P CONNECTOR	1	
	SC41	K1KY09AA0745	9P CONNECTOR	1	
	SC42	K1KY09AA0745	9P CONNECTOR	1	
	SC46	K1KY09AA0745	9P CONNECTOR	1	
	SC50	K1KA02AA0193	2P CONNECTOR	1	
	SS11	K1KY03B00006	3P CONNECTOR	1	PAVCA
	SS21	K1KA07A00170	7P CONNECTOR	1	
	SS24	K1KB07AA0087	7P CONNECTOR	1	
	SS33	K1KA08B00270	8P CONNECTOR	1	
	SS53	K1MN13B00091	13P CONNECTOR	1	
	SS55	K1MN13B00091	13P CONNECTOR	1	
	SS56	K1MN13B00091	13P CONNECTOR	1	

Safety	Ref. No.	Part No.	Part Name & Description	Pcs	Remarks
	SS58	K1MN13B00091	13P CONNECTOR	1	
	SW2500	K0F122A00172	SWITCH REMOTE CONTROL	1	
	SW3759A	EVQ23405R	SWITCH	1	
	SW3761A	EVQ23405R	SWITCH	1	
	SW3762A	EVQ23405R	SWITCH	1	
	SW3763A	EVQ23405R	SWITCH	1	
	SW3764A	EVQ23405R	SWITCH	1	
	SW3765A	EVQ23405R	SWITCH	1	
⚠	TU8300	ENGE6609KF	TUNER	1	PAVCA
	VR16600	EVMEASA00B54	CONTROL 50KOHMB 0.3W	1	
	VR16601	EVMEASA00B53	CONTROL 50KOHMB 0.3W	1	
	X1100	H0J100500035	CRYSTAL	1	
	X2010	H0J245500089	CRYSTAL	1	
	X5200	H0J270500113	CRYSTAL	1	
	X8001	H0J270500120	CRYSTAL	1	
	X8300	H0J250500079	CRYSTAL	1	PAVCA
	X9900	H0J200500076	CRYSTAL	1	
	ZA16001	K4CD01000011	AV TERMINAL	1	
	ZA16002	K4CD01000011	AV TERMINAL	1	
	ZA16003	K4CD01000011	AV TERMINAL	1	
	ZA16401	K4CD01000011	AV TERMINAL	1	
	ZA16402	K4CD01000011	AV TERMINAL	1	
	ZA16403	K4CD01000011	AV TERMINAL	1	
	ZA17101	K4AD01Z00001	TERMINAL	1	
	ZA17102	K4AD01Z00001	TERMINAL	1	
	ZA17103	K4AD01Z00001	TERMINAL	1	
	ZA17104	K4AD01Z00001	TERMINAL	1	
	ZA17201	K4AD01Z00001	TERMINAL	1	
	ZA17202	K4AD01Z00001	TERMINAL	1	
	ZA17203	K4AD01Z00001	TERMINAL	1	
	ZA17204	K4AD01Z00001	TERMINAL	1	
	ZA17301	K4AD01Z00001	TERMINAL	1	
	ZA17302	K4AD01Z00001	TERMINAL	1	
	ZA17303	K4AD01Z00001	TERMINAL	1	
	ZA17304	K4AD01Z00001	TERMINAL	1	
⚠	A601	AYRA652MSV8T	ARRESTOR	1	
	C201	ECJ1VB1H332K	C 3300PF, K, 50V	1	
	C202	ACDE2R221KP	2kV 220p	1	
	C203	ACDE2R221KP	2kV 220p	1	
	C204	ECWH12333HVB	1250V 0.033	1	
	C205	ECWH12333HVB	1250V 0.033	1	
⚠	C206	ACKX101KYTJ5	250V 100p	1	
	C207	ECJ2XB1H104K	C 0.1UF, K, 50V	1	
	C208	ECJ1XC1H681J	C 680PF, J, 50V	1	
	C209	ECJ1VC1H471J	C 470PF J 50V	1	
	C211	ACKZE1H100T	50V 10PF	1	
	C212	ACKZE1H100T	50V 10PF	1	
	C213	ACYBB475K2F	25V 4.7PF	1	
	C214	ACKRG1H010T	50V 1PF	1	
	C215	ECJ1VB1E333K	C 0.033UF, K, 25V	1	
	C216	ECJ1VB1H472K	C 4700PF, K, 50V	1	
	C217	ACMEB104K2T	25V 0.1P	1	
	C218	ACMAB106K2T	25V 10PF	1	
	C219	ECJ1VB1H472K	C 4700PF, K, 50V	1	
	C220	ACMAB106K2T	25V 10PF	1	
	C251	ECJ1VB1E473K	C 0.047UF, K, 25V	1	
	C252	ECQV1H224JL	P 0.22UF, J, 50V	1	
	C254	ECQE2223SKF	250V 0.022PF	1	
⚠	C256	ACCST220891J	220V 890	1	
⚠	C257	ACCST220891J	220V 890	1	
	C301	ECJ1VB1H332K	C 3300PF, K, 50V	1	
	C302	ACRR3DD101K7	2kV 100PF	1	

Safety	Ref. No.	Part No.	Part Name & Description	Pcs	Remarks
	C303	ACRR3DD101K7	2kV 100PF	1	
	C304	ECJ2XB1H104K	C 0.1UF, K, 50V	1	
	C305	ECJ1XC1H102J	C 1000PF, J, 50V	1	
	C306	ECJ1VC1H471J	C 470PF J 50V	1	
	C308	ACKZE1H100T	50V 10PF	1	
	C309	ACKZE1H100T	50V 10PF	1	
	C310	ACYBB475K2F	25V 4.7PF	1	
	C311	ACKRG1H010T	50V 1PF	1	
	C312	ECJ1XC1H102J	C 1000PF, J, 50V	1	
	C313	ECWH12273HVB	1250V 0.027	1	
	C314	ECWH12273HVB	1250V 0.027	1	
	C315	ACMEC222J5T	50V 2200p	1	
	C351	ACMEB104K5T	CERAMIC CHIP CAPACITOR	1	
	C352	ACKZE1E182ST	25V 1800PF	1	
	C353	ECJ1VB1H103K	C 0.001UF, K, 50V	1	
	C354	ECQV1H224JL	P 0.22UF, J, 50V	1	
	C355	ECQV1H823JL	50V 0.082PF	1	
	C356	ACMBB225K2T	CERAMIC CHIP CAPACITOR	1	
	C357	ACKZE1E471LT	25V 470PF	1	
	C358	ACKZE1E471LT	25V 470PF	1	
	C359	ACMEB104K5T	CERAMIC CHIP CAPACITOR	1	
	C401	ECQE2104SKF	250V 0.1PF	1	
	C402	ECQE2104SKF	250V 0.1PF	1	
⚠	C403	EETHC2C471HX	160V 470PF	1	
	C404	ACKZE1H101T	50V 100PF	1	
⚠	C406	ACKZE1K122ZE	80V 1200	1	
	C407	ACRR3DD101K7	2kV 100PF	1	
⚠	C408	ACKZE1K122ZE	80V 1200	1	
⚠	C409	ACKZE1K122ZE	80V 1200	1	
	C410	ECJ1VB1H222K	C 2200PF, K, 50V	1	
	C451	ACKZE1A471T	10V 470	1	
⚠	C501	ACLE103KC	PLASTIC FILM CAPACITOR(Xcap)	1	
⚠	C503	ACKMQ2W560T	450V 56PF	1	
	C505	ECQV1H224JL	P 0.22UF, J, 50V	1	
	C506	ACMEB102K5T	50V 1000p	1	
	C507	ECJ1VB1H103K	C 0.001UF, K, 50V	1	
	C508	ACKZE1H220T	50V 22PF	1	
	C509	ACKZE1H100T	50V 10PF	1	
	C510	ACKZE1H221T	50V 220PF	1	
	C511	ECJ1VB1H102K	C 1000PF, K, 50V	1	
	C512	ECJ1VB1H103K	C 0.001UF, K, 50V	1	
	C513	ECJ1VB1H102K	C 1000PF, K, 50V	1	
	C551	ACKZE1A471C	10V 470PF	1	
	C552	ECQV1473JM2	100V 0.047	1	
	C553	ACMEB474K1T	CERAMIC CHIP CAPACITOR	1	
	C554	ACMEB104K5T	CERAMIC CHIP CAPACITOR	1	
	C557	ACMEB104K5T	CERAMIC CHIP CAPACITOR	1	
	C558	ACYCB106K1T	16V 10	1	
	C559	ECJ1VB1H103K	C 0.001UF, K, 50V	1	
	C560	ACKZE1E470T	25V 47PF	1	
⚠	C601	ACLEMX474KC	PLASTIC FILM CAPACITOR(Xcap)	1	
⚠	C602	ECKENA221KBR	C 221P 250V	1	
⚠	C603	ECKENA221KBR	C 221P 250V	1	
	C605	ECJ1XC1H102J	C 1000PF, J, 50V	1	
	C606	ECJ1XC1H102J	C 1000PF, J, 50V	1	
	C608	ECJ1VC1H821J	C 820PF, J, 50V	1	
	C609	ACMEB224K2T	CERAMIC CHIP CAPACITOR	1	
	C610	ACMEB104K5T	CERAMIC CHIP CAPACITOR	1	
	C611	ACMEB105K2T	25V 1	1	
	C612	ECJ1VB1H103K	C 0.001UF, K, 50V	1	

Safety	Ref. No.	Part No.	Part Name & Description	Pcs	Remarks
	C613	ACKZE1H220T	50V 22PF	1	
⚠	C615	ACCST2W261JZ	450V 260	1	
⚠	C616	ACCST2W261JZ	450V 260	1	
	C621	ACKX101KXTJ5	250V 100p	1	
⚠	C622	ACLEMX474KC	PLASTIC FILM CAPACITOR(Xcap)	1	
⚠	C623	ECWF2W105KA	PLASTIC FILM CAPACITOR(PF)	1	
	C624	ACMEB104K5T	CERAMIC CHIP CAPACITOR	1	
⚠	C625	ECWF2W105KA	PLASTIC FILM CAPACITOR(PF)	1	
	C627	ACMEB225KJT	6.3V 2.2	1	
	C628	ECJ1VB1H102K	C 1000PF, K, 50V	1	
	C629	ECJ1XC1H102J	C 1000PF, J, 50V	1	
	C630	ECJ2FB1E224K	C 22UF, K, 25V	1	
	C701	ACKZE1A471T	10V 470	1	
	C702	ECQV1H103JL2	50V 0.01PF	1	
	C703	ECJ1VB1H103K	C 0.001UF, K, 50V	1	
	C705	ECJ1VB1H103K	C 0.001UF, K, 50V	1	
	D201	VDERA83-004T	DIODE	1	
	D202	VDERA83-004T	DIODE	1	
	D203	VDAG01AT	DIODE	1	
	D204	VDAG01AT	DIODE	1	
	D205	VDERA83-004T	DIODE	1	
	D206	MA165TAKU	DIODE	1	
	D251	MA165TAKU	DIODE	1	
	D254	MA2DF3100S	DIODE	1	
	D255	MA2DF3100S	DIODE	1	
	D256	MA2DF3100S	DIODE	1	
	D257	MA2DF3100S	DIODE	1	
	D301	VDERA83-004T	DIODE	1	
	D302	VDERA83-004T	DIODE	1	
	D303	VDAG01AT	DIODE	1	
	D304	VDAG01AT	DIODE	1	
	D351	VDG865C08R	DIODE	1	
	D352	VDAG01AT	DIODE	1	
	D353	VDG865C08R	DIODE	1	
	D354	MA2C70000F	DIODE	1	
	D401	VDD6SBN20	DIODE	1	
	D402	VDAG01AT	DIODE	1	
	D403	VDYG901C3R	DIODE	1	
	D451	VDERA83-004T	DIODE	1	
	D502	MA165TAKU	DIODE	1	
	D504	VXST3D82BL3	DIODE	1	
	D505	VDAG01AT	DIODE	1	
⚠	D506	VDS1WBA80	DIODE	1	
	D507	VDAG01AT	DIODE	1	
	D551	VDRK39A5	DIODE	1	
	D552	VDRF101A2S	DIODE	1	
	D601	MA165TAKU	DIODE	1	
	D602	MA165TAKU	DIODE	1	
⚠	D603	VDD15XB80	DIODE	1	
	D604	VDS3V60L1	DIODE	1	
	D605	VDYG982S6R	DIODE	1	
	D606	VDYG982S6R	DIODE	1	
⚠	D607	VDD15XB80	DIODE	1	
	D608	VDS3V60L1	DIODE	1	
	D701	VDERA83-004T	DIODE	1	
	F201	HU216005BEP	FUSE	1	
⚠	F301	HU216005BEP	FUSE	1	
⚠	F501	HU5013002PRC	CARTRIDGE FUSE	1	
⚠	F601	HU5013010PRC	CARTRIDGE FUSE	1	
⚠	F602	HU5013010PRC	CARTRIDGE FUSE	1	
	IC201	VIMCZ5203D	INTEGRATED CIR-CUIT	1	
	IC202	VINJM2903ME1	INTEGRATED CIR-CUIT	1	

Safety	Ref. No.	Part No.	Part Name & Description	Pcs	Remarks
	IC251	VIKIA431A	INTEGRATED CIR-CUIT	1	
	IC301	VIMCZ5203D	INTEGRATED CIR-CUIT	1	
	IC352	VIKIA431A	INTEGRATED CIR-CUIT	1	
⚠	IC501	MIP3E30MPSCF	IC	1	
	IC551	VIKIA431A	INTEGRATED CIR-CUIT	1	
	IC601	VIR2A20117SP	INTEGRATED CIR-CUIT	1	
⚠	K601	ALKT329C93	RELAY	1	
⚠	K602	ALKT329C93	RELAY	1	
⚠	K603	ALKT329C93	RELAY	1	
	L401	AYLH8TB681K	FILTER CHOKE	1	
	L402	AYJ2312105Z	5A 120uH	1	
	L501	EXCELSA35T	BEAD CHOKE	1	
	L502	EXCELD35V	CORE	1	
	L503	EXCELD35V	CORE	1	
	L551	EXCELD35V	CORE	1	
⚠	L601	AYJ3170207Y	7A 7mH	1	
⚠	L602	AYJ3170207Y	7A 7mH	1	
	L604	ETB42AY12GAD	CHOKE COIL	1	
	L605	ETB42AY12GAD	CHOKE COIL	1	
⚠	MC401	MDPPSA103	MODULE	1	
⚠	MC451	MDPLSC471	MODULE	1	
⚠	MC701	MDPZDA561	MODULE	1	
	P2	AKB2P3S-VH	CONNECTOR	1	
	P6	AKB12B-EH-A	12P CONNECTOR	1	
	P7	AKB11B-EH-A	11P CONNECTOR	1	
⚠	P9	AKS02B-VT	CONNECTOR	1	
	P11	AKB3P4S-VH-L	CONNECTOR	1	
	P25	AKB13B-PH-KS	13P CONNECTOR	1	
	P34	AKB3B-PH-KS	3P CONNECTOR	1	
	P35	AKB4B-PH-KS	CONNECTOR	1	
⚠	P51	AKB6P-VH	6P CONNECTOR	1	
⚠	P52	AKB6P-VH	6P CONNECTOR	1	
⚠	P53	AKB2B-EH-A	2P CONNECTOR	1	
⚠	P54	AKB2B-EH-A	2P CONNECTOR	1	
⚠	P55	AKB2P3-VH-B	2P CONNECTOR	1	
⚠	P56	AKB2P3-VH-B	2P CONNECTOR	1	
	P57	AKB3B-EH-A	3P CONNECTOR	1	
	P58	AKB3B-EH-A	3P CONNECTOR	1	
⚠	PC3	VPS2581AL2HE	OPTOISOLATOR	1	
⚠	PC4	VPS2581AL2HE	OPTOISOLATOR	1	
⚠	PC201	VPS2581AL2HE	OPTOISOLATOR	1	
⚠	PC202	VPS2581AL2HE	OPTOISOLATOR	1	
⚠	PC301	VPS2581AL2HE	OPTOISOLATOR	1	
⚠	PC302	VPS2581AL2HE	OPTOISOLATOR	1	
	PC401	VPS2581AL2HE	OPTOISOLATOR	1	
⚠	PC501	VPS2581AL2HE	OPTOISOLATOR	1	
⚠	Q201	VKFMV19N57ES	FET	1	
⚠	Q202	VKFMV19N57ES	FET	1	
	Q203	2SB709-R-RTX	TRANSISTOR	1	
	Q204	2SD0601ARL	TRANSISTOR	1	
⚠	Q301	VKFMA16N55G	FET	1	
⚠	Q302	VKFMA16N55G	FET	1	
	Q303	2SB709-R-RTX	TRANSISTOR	1	
	Q351	2SK3704	FET	1	
	Q352	2SB709-R-RTX	TRANSISTOR	1	
	Q353	2SB709-R-RTX	TRANSISTOR	1	
	Q401	2SK3607	FET	1	
	Q402	2SA17670Q1TV	TRANSISTOR	1	
	Q403	2SA17670Q1TV	TRANSISTOR	1	
	Q502	2SK3018TL	FET	1	

Safety	Ref. No.	Part No.	Part Name & Description	Pcs	Remarks
	Q505	2SK3018TL	FET	1	
	Q506	2SB709-R-RTX	TRANSISTOR	1	
	Q551	VKHAT1130R	FET	1	
⚠	Q601	VKTK20J60U	FET	1	
⚠	Q602	VKTK20J60U	FET	1	
	Q603	2SC5866T	TRANSISTOR	1	
	Q604	2SA2094T	TRANSISTOR	1	
	Q605	2SA2094T	TRANSISTOR	1	
	Q606	2SC5866T	TRANSISTOR	1	
	Q607	2SB709-R-RTX	TRANSISTOR	1	
	Q608	2SC5866T	TRANSISTOR	1	
	Q609	2SK3018TL	FET	1	
	Q701	2SB710A-RTX	TRANSISTOR	1	
	Q702	2SB710A-RTX	TRANSISTOR	1	
	Q703	2SD0601ARL	TRANSISTOR	1	
	R201	D0GB103JA057	M 10K OHM J 1/16W	1	
	R202	ERJ6GEYJ153V	M 15KOHM,J,1/10W	1	
	R203	D0GB103JA057	M 10K OHM J 1/16W	1	
	R204	D0GB103JA057	M 10K OHM J 1/16W	1	
	R205	ERJ6ENF3903	M 390KOHM,J,1/10W	1	
	R206	ERJ6ENF3903	M 390KOHM,J,1/10W	1	
	R207	ERJ6ENF3903	M 390KOHM,J,1/10W	1	
	R208	ERJ6ENF3903	M 390KOHM,J,1/10W	1	
	R209	D0GB183JA057	M 18K OHM J 1/16W	1	
	R210	ERJ6RBD152	M 1.5KOHM,J,1/10W	1	
	R211	ERJ3GEYD153V	M 15KOHM,J,1/16W	1	
	R213	ERX12SJ1R0	M 0.1 OHM, J,1/2W	1	
	R214	ERX12SJ5R6J	M 5.6 OHM, J,1/2W	1	
	R215	ERG12SJ680J	M 68 OHM, J,1/2W	1	
	R216	ERG12SJ680J	M 68 OHM, J,1/2W	1	
	R217	ERJ6GEYJ330V	M 33 OHM,J,1/10W	1	
	R218	ERJ6GEYJ151V	M 150 OHM,J,1/10W	1	
	R219	ARRF2EJR10B	METAL GLAZE FIXED RESISTOR	1	
	R220	ARRF2EJR10B	METAL GLAZE FIXED RESISTOR	1	
	R221	ERJ6ENF3903	M 390KOHM,J,1/10W	1	
	R222	ERJ6ENF3903	M 390KOHM,J,1/10W	1	
	R223	ERJ6ENF3903	M 390KOHM,J,1/10W	1	
	R224	ERJ6ENF3903	M 390KOHM,J,1/10W	1	
	R231	ERQ14AJ4R7J	F 4.7 OHM, J,1/4W	1	
	R232	ERJ3EKF1001	M 1KOHM, 1/16W	1	
	R233	ERJ3EKF1001	M 1KOHM, 1/16W	1	
	R234	ERJ3EKF1502	M 15KOHM, 1/16W	1	
	R235	ERJ3EKF9310	M 9310HM, 1/16W	1	
	R236	ERDS2FJ472	C 4.7KOHM, J,1/4W	1	
	R237	D0GB473JA057	M 47KOHM,J,1/16W	1	
	R238	ERJ6RBD152	M 1.5KOHM,J,1/10W	1	
	R239	ERDS2FJ103	C 10KOHM, J,1/4W	1	
	R251	ARRCR2F3012T	0.25W 30.1k	1	
	R252	ARRCR2F3012T	0.25W 30.1k	1	
	R253	ERDS2FJ202	0.25W 2k	1	
	R254	ERDS2FJ121	C 120 OHM, J,1/4W	1	
	R256	ERJ6ENF1002	M 10KOHM, 1/10W	1	
	R257	ERDS2FJ472	C 4.7KOHM, J,1/4W	1	

Safety	Ref. No.	Part No.	Part Name & Description	Pcs	Remarks
	R258	ERDS2FJ472	C 4.7KOHM, J,1/4W	1	
	R259	ERDS2FJ472	C 4.7KOHM, J,1/4W	1	
	R263	ERDS2FJ220	C 22 OHM, J,1/4W	1	
	R264	ERDS2FJ102	M 1KOHM,J,1/10W	1	
	R265	ARRCR1F1783T	0.25W 178k	1	
	R266	ARRCR1F3483T	0.25W 348k	1	
	R267	ARRCR1F3483T	0.25W 348k	1	
	R275	ARRCR2F3012T	0.25W 30.1k	1	
	R276	ARRCR2F3012T	0.25W 30.1k	1	
	R301	D0GB103JA057	M 10K OHM J 1/16W	1	
	R302	ERJ6GEYJ153V	M 15KOHM,J,1/10W	1	
	R303	D0GB103JA057	M 10K OHM J 1/16W	1	
	R304	D0GB103JA057	M 10K OHM J 1/16W	1	
	R305	ERJ6ENF3903	M 390KOHM,J,1/10W	1	
	R306	ERJ6ENF3903	M 390KOHM,J,1/10W	1	
	R307	ERJ6ENF3903	M 390KOHM,J,1/10W	1	
	R308	ERJ6ENF3903	M 390KOHM,J,1/10W	1	
	R309	ERG12SJ680J	M 68 OHM, J,1/2W	1	
	R310	ERG12SJ220J	M 22 OHM, J,1/2W	1	
	R311	D0GB183JA057	M 18K OHM J 1/16W	1	
	R312	ERJ6RBD152	M 1.5KOHM,J,1/10W	1	
	R313	ERJ3GEYD113V	M 11KOHM,J,1/16W	1	
	R315	ERX12SJ4R7	M 4.7 OHM, J,1/2W	1	
	R316	ERX12SJ4R7	M 4.7 OHM, J,1/2W	1	
	R317	ERJ6GEYJ470V	M 47 OHM,J,1/10W	1	
	R318	ERJ6GEYJ331V	M 330 OHM J 1/10W	1	
	R319	ARRF2EJ30MB	2W 0.03	1	
	R320	ERJ6ENF3903	M 390KOHM,J,1/10W	1	
	R321	ERJ6ENF3903	M 390KOHM,J,1/10W	1	
	R322	ERJ6ENF3903	M 390KOHM,J,1/10W	1	
	R323	ERJ6ENF3903	M 390KOHM,J,1/10W	1	
	R324	ERQ14AJ4R7J	F 4.7 OHM, J,1/4W	1	
	R351	ER0S2CHF8871	0.25W 8.87k	1	
	R352	ERJ3GEY0R00	M 0 OHM, 1/16W	1	
	R353	ERDS2FJ102	M 1KOHM,J,1/10W	1	
	R354	ERDS2FJ391	C 390 OHM, J,1/4W	1	
	R355	ERDS2FJ222	C 2.2KOHM, J,1/4W	1	
	R356	ER0S2THD1002	0.25W 10k	1	
	R357	ER0S2THF1182	0.25W 11.8k	1	
	R359	ER0S2THD5232	0.25W 52.3k	1	
	R360	ERJ6GEYJ332V	M 3.3K OHM J 1/10W	1	
	R361	ERJ3GEYJ332	M 3.3KOHM,J,1/16W	1	
	R362	ERG12SJ332J	M 3.3KOHM, J,1/2W	1	
	R363	D0GB103JA057	M 10K OHM J 1/16W	1	
	R364	ERJ3GEYD153V	M 15KOHM,J,1/16W	1	
	R365	ERJ3GEYJ333	M 33KOHM,J,1/16W	1	
	R366	ER0S2THF6981	0.25W 6.98k	1	
	R367	ER0S2CHF8451	0.25W 8.45k	1	
	R368	ERJ3GEYJ333	M 33KOHM,J,1/16W	1	
	R371	ER0S2THF6981	0.25W 6.98k	1	
	R372	ER0S2THF1151	0.25W 1.15k	1	
	R373	ERJ3GEYJ100	M 10 OHM,J,1/16W	1	

Safety	Ref. No.	Part No.	Part Name & Description	Pcs	Remarks
	R374	ARRF5EJ30MB	METAL GLAZE FIXED RESISTOR	1	
	R403	ERG12SJ100J	M 10 OHM, J,1/2W	1	
	R404	ER0S2CKF4992	M49.9KOHM, F,1/4W	1	
	R405	ARRF2EJR10B	METAL GLAZE FIXED RESISTOR	1	
	R409	ERDS2FJ473	C 47KOHM, J,1/4W	1	
	R411	ER0S2CKF2001	M 2KOHM, F,1/4W	1	
	R412	ER0S2CKF2001	M 2KOHM, F,1/4W	1	
	R413	ER0S2THF2492	0.25W 24.9k	1	
	R414	ER0S2THF2492	0.25W 24.9k	1	
	R417	ER0S2CHF3322	0.25W 33.2k	1	
	R418	ER0S2CHF3322	0.25W 33.2k	1	
	R420	ER0S2THF7500	0.25W 750	1	
	R421	ER0S2CKF1372	M13.7KOHM, F,1/4W	1	
	R456	ER0S2CKF1332	M13.3KOHM, F,1/4W	1	
	R501	ARRCR1F8253T	METAL GLAZE FIXED RESISTOR	1	
	R502	ARRCR1F8253T	METAL GLAZE FIXED RESISTOR	1	
	R503	ARRCR1F8253T	METAL GLAZE FIXED RESISTOR	1	
	R504	ARRCR1F8253T	METAL GLAZE FIXED RESISTOR	1	
	R505	ARRCR1F8253T	METAL GLAZE FIXED RESISTOR	1	
	R506	ARRCR1F8253T	METAL GLAZE FIXED RESISTOR	1	
	R508	ERJ3EKF1303	M 130KOHM, 1/16W	1	
	R509	ERDS2FJ221	C 220 OHM, J,1/4W	1	
	R512	ERJ3GEYJ224	M 220KOHM,J,1/16W	1	
	R513	ERJ3GEYJ223	M 22KOHM,J,1/16W	1	
	R514	ERJ3EKF1303	M 130KOHM, 1/16W	1	
	R519	ERJ3GEYJ224	M 220KOHM,J,1/16W	1	
	R521	ERJ3GEYJ223	M 22KOHM,J,1/16W	1	
	R522	ERDS2FJ180	C 18 OHM, J,1/4W	1	
	R524	ERDS2FJ223	0.25W 22k	1	
	R525	D0GB103JA057	M 10K OHM J 1/16W	1	
	R526	ERJ3GEYJ472	M 4.7KOHM,J,1/16W	1	
△	R532	ARRCR6J825M	METAL GLAZE FIXED RESISTOR	1	
	R551	ERJ6GEYJ150V	M 15 OHM,J,1/10W	1	
	R552	ERJ3GEYJ121	M 120 OHM,J,1/16W	1	
	R553	D0GB102JA057	M 1KOHM,J,1/16W	1	
	R554	ERJ3EKF1503	M 150KOHM, 1/16W	1	
	R555	ERJ3EKF1072	CHIP RESISTOR	1	
	R556	ER0S2THD1002	0.25W 10k	1	
	R557	ERDS2FJ221	C 220 OHM, J,1/4W	1	
	R558	ERJ3EKF1623	62.5mW 162k	1	
	R559	D0GB473JA057	M 47KOHM,J,1/16W	1	
	R560	ERJ3GEYJ332	M 3.3KOHM,J,1/16W	1	
△	R601	ARRCR5J624M	METAL GLAZE FIXED RESISTOR	1	
	R602	ERJ6GEYJ103V	M 10K OHM J 1/10W	1	
	R603	ARRF2EJ20MB	2W 0.02	1	
	R604	ARRF2EJ20MB	2W 0.02	1	
	R605	ERJ6GEYJ680V	M 68 OHM,J,1/10W	1	
	R606	ERJ6GEYJ680V	M 68 OHM,J,1/10W	1	
	R607	ERJ6GEYJ150V	M 15 OHM,J,1/10W	1	
	R608	ERJ6GEYJ150V	M 15 OHM,J,1/10W	1	
	R609	D0GB154JA057	M 150KOHM J 1/16W	1	
	R610	D0GB154JA057	M 150KOHM J 1/16W	1	
	R611	ERJ6GEYJ121V	M 120 OHM,J,1/10W	1	



Safety	Ref. No.	Part No.	Part Name & Description	Pcs	Remarks
	R612	ERJ6GEYJ121V	M 120 OHM,J,1/10W	1	
	R613	ERJ6GEYG392	M 3.9KOHM,J,1/10W	1	
	R614	ERJ6GEYG392	M 3.9KOHM,J,1/10W	1	
	R616	ERJ3GEYJ223	M 22KOHM,J,1/16W	1	
	R617	ERJ3GEYJ824	M 820KOHM,J,1/16W	1	
	R618	D0GB103JA057	M 10K OHM J 1/16W	1	
	R619	ERJ6GEYJ120	M 12 OHM,J,1/10W	1	
	R620	ERJ6GEYJ120	M 12 OHM,J,1/10W	1	
	R621	ERJ6ENF9312	M93.1KOHM, 1/10W	1	
	R622	ERJ6ENF9312	M93.1KOHM, 1/10W	1	
	R623	ERJ6ENF9312	M93.1KOHM, 1/10W	1	
	R624	ERJ6ENF9312	M93.1KOHM, 1/10W	1	
	R625	ERJ6ENF9312	M93.1KOHM, 1/10W	1	
	R626	ERJ3EKF4871	M 4.87KOHM, 1/16W	1	
	R627	ERJ6GEYJ103V	M 10K OHM J 1/10W	1	
	R628	D0GB103JA057	M 10K OHM J 1/16W	1	
	R629	D0GB473JA057	M 47KOHM,J,1/16W	1	
	R630	ERJ3GEYJ471	M 470 OHM,J,1/16W	1	
	R633	ERJ6GEYJ221V	M 220 OHM,J,1/10W	1	
	R634	ERJ6GEYJ221V	M 220 OHM,J,1/10W	1	
	R635	ERJ6GEYJ472V	M 4.7K OHM J 1/10W	1	
	R636	ERJ6GEYJ102V	M 1K OHM J 1/10W	1	
	R637	ERJ6GEYJ472V	M 4.7K OHM J 1/10W	1	
	R638	ERJ6GEYJ102V	M 1K OHM J 1/10W	1	
	R639	ERJ6ENF9312	M93.1KOHM, 1/10W	1	
	R640	ERJ6ENF1743	M 174KOHM, 1/10W	1	
	R641	ERJ6ENF1182	M11.8KOHM, 1/10W	1	
	R642	ERJ6GEYJ680V	M 68 OHM,J,1/10W	1	
	R643	ERJ6GEYJ680V	M 68 OHM,J,1/10W	1	
	R644	ERJ6GEYJ680V	M 68 OHM,J,1/10W	1	
	R645	ERJ6GEYJ680V	M 68 OHM,J,1/10W	1	
	R646	ERJ6GEYJ680V	M 68 OHM,J,1/10W	1	
	R647	ERJ6GEYJ680V	M 68 OHM,J,1/10W	1	
	R648	ERJ6GEYJ120	M 12 OHM,J,1/10W	1	
	R649	ERJ6GEYJ120	M 12 OHM,J,1/10W	1	
	R650	ERJ6GEYJ120	M 12 OHM,J,1/10W	1	
	R651	ERJ6GEYJ120	M 12 OHM,J,1/10W	1	
	R652	ERJ6GEYJ120	M 12 OHM,J,1/10W	1	
	R653	ERJ6GEYJ120	M 12 OHM,J,1/10W	1	
	R654	ERJ6GEYJ150V	M 15 OHM,J,1/10W	1	
	R655	ERJ6GEYJ150V	M 15 OHM,J,1/10W	1	
	R656	ERJ6GEYJ150V	M 15 OHM,J,1/10W	1	
	R657	ERJ6GEYJ150V	M 15 OHM,J,1/10W	1	
	R658	ERJ6GEYJ150V	M 15 OHM,J,1/10W	1	
	R659	ERJ6GEYJ150V	M 15 OHM,J,1/10W	1	
	R660	D0GB151JA057	M 150 OHM J 1/16W	1	
	R661	D0GB473JA057	M 47KOHM,J,1/16W	1	
	R662	ERJ3GEYJ823	M 82KOHM,J,1/16W	1	
	R663	ERJ3GEYJ823	M 82KOHM,J,1/16W	1	
	R701	ERJ6GEYJ1R0	M 1 OHM,J,1/10W	1	
	R702	ERDS2FJ102	M 1KOHM,J,1/10W	1	
	R703	ERJ6GEYJ1R0	M 1 OHM,J,1/10W	1	
	R704	ERDS2FJ102	M 1KOHM,J,1/10W	1	
	R705	D0GB103JA057	M 10K OHM J 1/16W	1	
	R706	D0GB103JA057	M 10K OHM J 1/16W	1	
	R707	ERDS2FJ102	M 1KOHM,J,1/10W	1	
	R708	ERJ3GEYJ821	M820 OHM,J,1/16W	1	
	R709	ERJ3GEYJ221	M 220 OHM,J,1/16W	1	

Safety	Ref. No.	Part No.	Part Name & Description	Pcs	Remarks
	R710	ERJ3GEYJ221	M 220 OHM,J,1/16W	1	
	R711	ER0S2CKF1623	M 162KOHM, F,1/4W	1	
	R712	ERDS2FJ221	C 220 OHM, J,1/4W	1	
	R713	ERDS2FJ102	M 1KOHM,J,1/10W	1	
	R714	ERDS2FJ221	C 220 OHM, J,1/4W	1	
	R715	ERDS2FJ221	C 220 OHM, J,1/4W	1	
	R716	ERDS2FJ221	C 220 OHM, J,1/4W	1	
	R717	ERDS2FJ103	C 10KOHM, J,1/4W	1	
	R718	D0GB103JA057	M 10K OHM J 1/16W	1	
	R719	ER0S2CHF2152	0.25W 21.5k	1	
	R720	ERDS2FJ102	M 1KOHM,J,1/10W	1	
	R723	D0GB102JA057	M 1KOHM,J,1/16W	1	
	R724	D0GB102JA057	M 1KOHM,J,1/16W	1	
	R725	ERJ3EKF4991	M4.99KOHM, 1/16W	1	
⚠	RF501	HUA5MC100JP2	THERMAL CUTOFF WITH RESISTOR	1	
⚠	RF601	HUY5JA200JP	W 20 OHM, J, 5W	1	
⚠	T201	ETB42BZ148AD	TRANS	1	
⚠	T301	ETB42LZ118AD	TRANS	1	
⚠	T501	ETB25AH118BH	TRANS	1	
	VR251	EVMEASA01B55	VARIABLE RESISTOR	1	
	VR401	EVMEASA01B54	VARIABLE RESISTOR	1	
⚠	Z501	ERZVGAD471	VARISTOR	1	
⚠	Z601	ERZVGED751	VARISTOR	1	
⚠	Z602	ERZVGAD471	VARISTOR	1	
	ZD203	MA4270NMTA	ZENER DIODE	1	
	ZD204	MA4270NMTA	ZENER DIODE	1	
	ZD205	MA4270NMTA	ZENER DIODE	1	
	ZD206	MA4051NM	ZENER DIODE	1	
	ZD301	MA4270NMTA	ZENER DIODE	1	
	ZD302	MA4270NMTA	ZENER DIODE	1	
	ZD303	MA4270NMTA	ZENER DIODE	1	
	ZD352	MA4270NMTA	ZENER DIODE	1	
	ZD353	MA4150NMTA	ZENER DIODE	1	
	ZD451	MA4150-M	ZENER DIODE	1	
	ZD501	MA4330NMTA	ZENER DIODE	1	
	ZD502	MA4330NMTA	ZENER DIODE	1	
	ZD503	MA4330NMTA	ZENER DIODE	1	
	ZD504	MA4150NMTA	ZENER DIODE	1	
	ZD505	MA4330NMTA	ZENER DIODE	1	
	ZD506	MAZ4068NMF	ZENER DIODE	1	
	ZD508	MA4150NMTA	ZENER DIODE	1	
	ZD552	MA4082NM	ZENER DIODE	1	
	ZD601	MA4150NMTA	ZENER DIODE	1	
	ZD602	MA4062NM	ZENER DIODE	1	